

DFSCP12E

Flat Surface Cleaner



SPECIFICATIONS

Part Number	DFSCP12E
Operating Pressure	1,000 - 3,000 PSI
Max Flow	4.0 GPM
Dimesnsions	12.0" x 5.3"
Weight	2.4 lbs

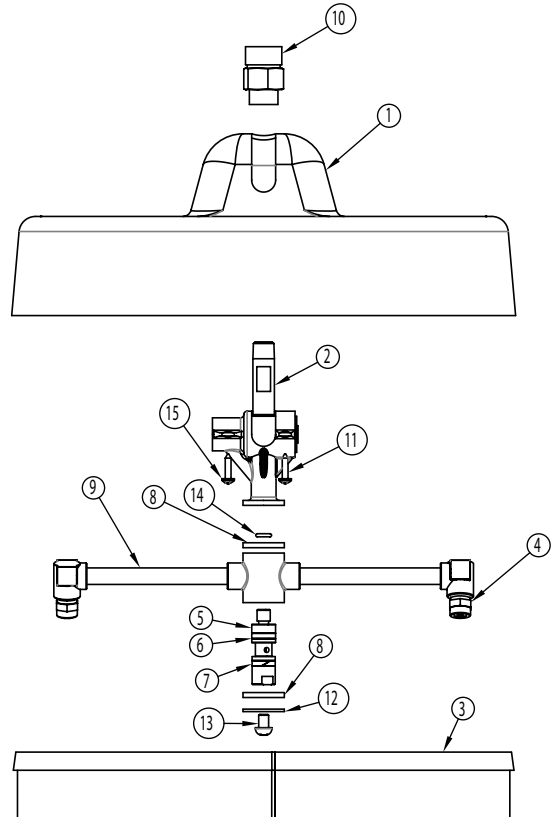
FEATURES / BENEFITS

- Full 12" cleaning path
- Can be connected directly to gun, lance, telescoping wand
- Brass and stainless steel construction
- Durable polypropylene deck
- Includes 1/4" quick disconnect plug

WARNING: Read Before Operating Machine
Always wear protective eyewear
Keep clear of rotating nozzles
Never lock trigger gun open with any device
Drain water in cold weather to avoid freezing
Tampering with any part of this machine will void all warranties

PARTS LIST

NO.	PART NO.	DESCRIPTION	QTY.
1	2660327	DECK, FSC, 12"	1
2	2103291	SWIVEL, FSC, 12"	1
3	2660326	BRUSH	1
4	2103078	NOZZLE, 25 X 20	2
5	2520144	STEM	1
6	2710029	BACKUP RING	1
7	2710028	BACKUP RING	1
8	2599800	SPACER	2
9	2103292	ASSY, ARM, 12"	1
10	2510103	FITTING, M22	1
11	2200110	SCREW	4
12	2203406	WASHER, M6	1
13	2200069	BOLT, M6	1
14	2701079	O-RING, 5.8 X 1.9	1
15	2203506	WASHER, LOCK	4



ASSEMBLY / OPERATING INSTRUCTIONS

1. Connect directly to gun, lance or telescoping wand.
2. Turn water on and open trigger gun for flow of water through nozzles. Nozzles must have flowing spray. If not, remove tips and clean; reassemble, making sure nozzle groove is parallel to spray bar. Use thread sealant when installing nozzles.
3. Start pressure Washer. The flat surface cleaner is ready for operation.
4. Move the flat surface cleaner slowly across surface. If striping occurs, slow down your pace.
5. For maximum effectiveness keep spray tips clean. If the machine vibrates, stop and clean spray tips.
6. For use with 1/4" quick disconnect, remove M22 fitting (2510103) from stem on swivel and replace with supplied 1/4" plug. Apply thread sealant on swivel stem threads before attaching plug.

**DO NOT ALLOW MACHINE TO REMAIN STATIONARY
ON SOFT SURFACES SUCH AS WOOD.**

Caution: Striking any raised obstacle during operation will damage machine. If contact does occur and results in vibration when operating machine, STOP and replace spray bar. Continued operation could result in serious injury or damage to machine.



WARNING: This product can expose you to chemicals, including lead, which is known to the state of California to cause cancer and birth defects or other reproductive harm. For more information, go to www.P65Warnings.ca.gov Made in China