

GENERAL PUMP

A member of the Interpump Group

100995

1-Pole Bulb & Capillary Thermostat

FEATURES

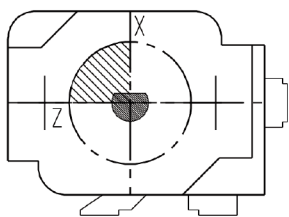
- Available either for temperature regulation or over-temperature protection
- Precise temperature control with fast reaction time
- 6,000 PSI
- Trip free manual reset

SPECIFICATIONS

Part Number	100995
Temperature	70 - 250° F
Material	Bulb and Capillary in Copper
Electric Rating AC	25A - 250V (UL)
Capillary Length	71"
Connections	Brass fastons
Weight	8 oz.



DIMENSIONS (MM)



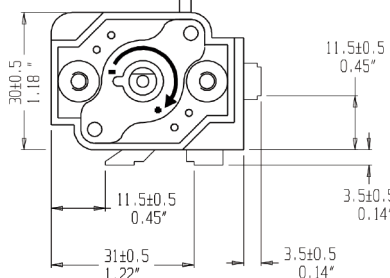
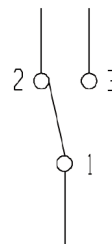
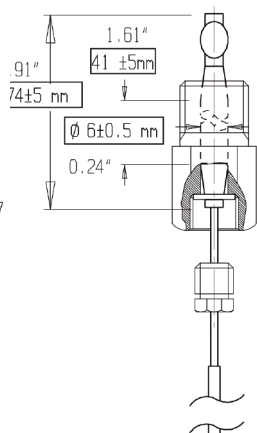
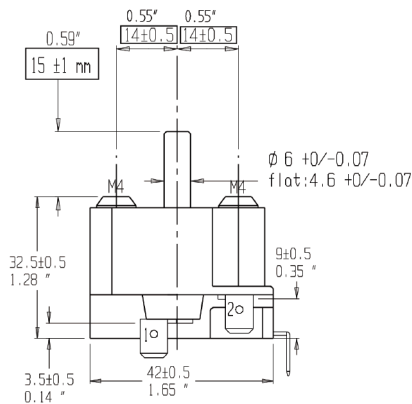
shaft in min. position (X)

	Angular Pos / BB	Temp. °C		Temp. °F	
		Réglul.	Diff.	Réglul.	Diff.
X	0	≈ 21		≈ 70	
Y					
Z	270	121 ±5	≈ 7	250 ±9	≈ 12

Submerged cap. length = $\frac{50 \text{ mm}}{2}$ "

Terminals	6.3 x 0.8 mm 0.25" x 0.03"
-----------	-------------------------------

Bulb	COPPER
Capillary	COPPER
Stem length	1803 ±25mm/71"
Sleeving	1575 ±25mm/62"
	Silicone PTFE PE
Maxi bulb temp.	161°C/322°F
Preset in position :	Z
Standard packaging	
Observations :	
	- Specific bulb
	- 1/2 NPT component supplied separately



NORMS: -Approvals ENEC:EN60730-1
EN60730-2-9
T 120/ T 150
1-2 20A 250V ~
1-3 5A 250V ~

CE

-Approvals UL/CUL : 1-2 20A 250V ~
1-3 20A 250V ~



General Pump is a member of the Interpump Group

GENERAL PUMP 1174 Northland Drive • Mendota Heights, MN 55120
Phone: 651-686-2199 • Fax: 800.535-1745 • e-mail: sales@gpcompanies.com • www.generalpump.com



Ref 300979 Rev. B
02-16

