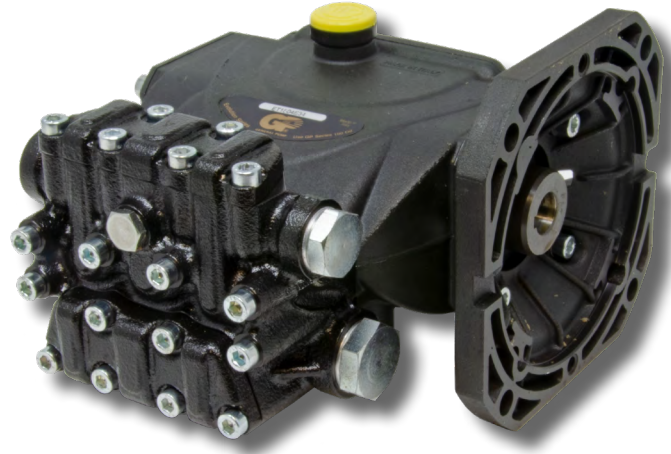


**FEATURES**

- “HR” anti-corrosion surface treatment on manifold
- New generation seal package
- Dust protection chamber
- Solid ceramic plungers
- Oversized plunger guide
- Optimized inlet and outlet valves
- Oversized crankcase
- Hollow shaft, flanged for direct couple to electric motors (NEMA56C)



**SPECIFICATIONS**

Pump Model	ET1509E17	ET1807E17	ET1809E17	ET1504E34	ET1505E34	ET1506E34	ET1507E34
Maximum Volume	2.1 GPM	2.4 GPM	3.2 GPM	1.85 GPM	2.1 GPM	2.9 GPM	3.2 GPM
Maximum Discharge Pressure	2,610 PSI	2,320 PSI		2,610 PSI			
Horsepower	3.7 EBHP	3.8 EBHP	5.0 EBHP	3.6 EBHP	3.7 EBHP	5.2 EBHP	5.6 EBHP
Maximum Pump Speed	1700 RPM			3400 RPM			
Maximum Inlet Pressure				125 PSI			
Max. Inlet Vacuum	3 ft. water (2.6 Hg)			Flooded			
Plunger Bore (in / mm)	.591 in./15 mm	.708/18 mm		.591 in./15 mm			
Plunger Stroke (in / mm)	.370 in./9.4 mm	.283 in./7.2 mm	.370 in./9.4 mm	.157 in./4 mm	.197 in./5 mm	.256 in./6.5 mm	.283 in./7.2 mm
Oil Capacity	8.5 oz.						
Maximum Fluid Temperature	165° F						
Inlet Port Thread	1/2"-14 BSP-F						
Discharge Port Thread	3/8"-19 BSP-F						
Shaft Diameter	5/8" Hollow						
Weight	11.0 lbs.						
Dimensions - Nominal	7.3" x 7.4" x 5.5"						

# Instructions and Recommendations for the Installation of *ET Series Pumps*

Maximum temperature of the water through the pump is 165° F (73° C).

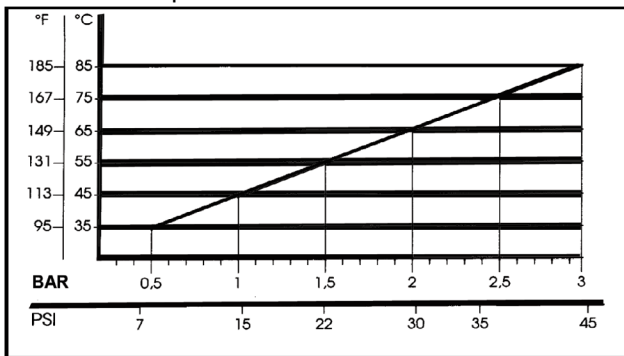
In order to obtain maximum performance in terms of duration of seals and valves, it is necessary to respect a few simple rules, as follows:

**1) In order to avoid damage caused by cavitation, the pump must be pressure fed.**

The higher the inlet pressure, the longer the life of the wet end of the pump.

When working at 165° F (73° C), the minimum feed pressure - measured directly in the inlet port of the pump when it is working - is 45 psi (3 bar).

The minimum feed pressure according to the different temperatures are:



Naturally, if the application allows for feeding the pump with 45 psi (3 bar) even at low temperatures (for example: 115° F/45° C the life of the wet end of the pump will be even longer.

**2) The plumbing which feeds the pump must be of a diameter at least equal to the inlet port.**

Also, follow the suggestions below:

- a) Make the plumbing as short and straight as possible, preferably in an upward direction to facilitate the expulsion of eventual air bubbles naturally if compatible with the requirements of the system.
- b) It is always useful to put a filter at the inlet with capacity of 4 to 5 times the flow of the pump, for example for a 4 gpm (15 l/min) pump, put a filter from 16 to 20 gpm (60-75 l/mi) The mesh size suitable for this application is 0.016" (.4 mm).

the pump, for example for a 4 gpm (15 l/min) pump, put a filter from 16 to 20 gpm (60-75 l/mi) The mesh size suitable for this application is 0.016" (.4 mm).

- c) It is extremely important to put a pressure switch on the suction port of the pump, and in any case downstream from the filter, so that it can stop the pump should the feed pressure drop by 20% due to the filter clogging or failure of the feed pump, etc.

**3) Change of oil**

We recommend the **first oil change after the first 50 hours**, with the **pump stopped** and the **oil still warm**.

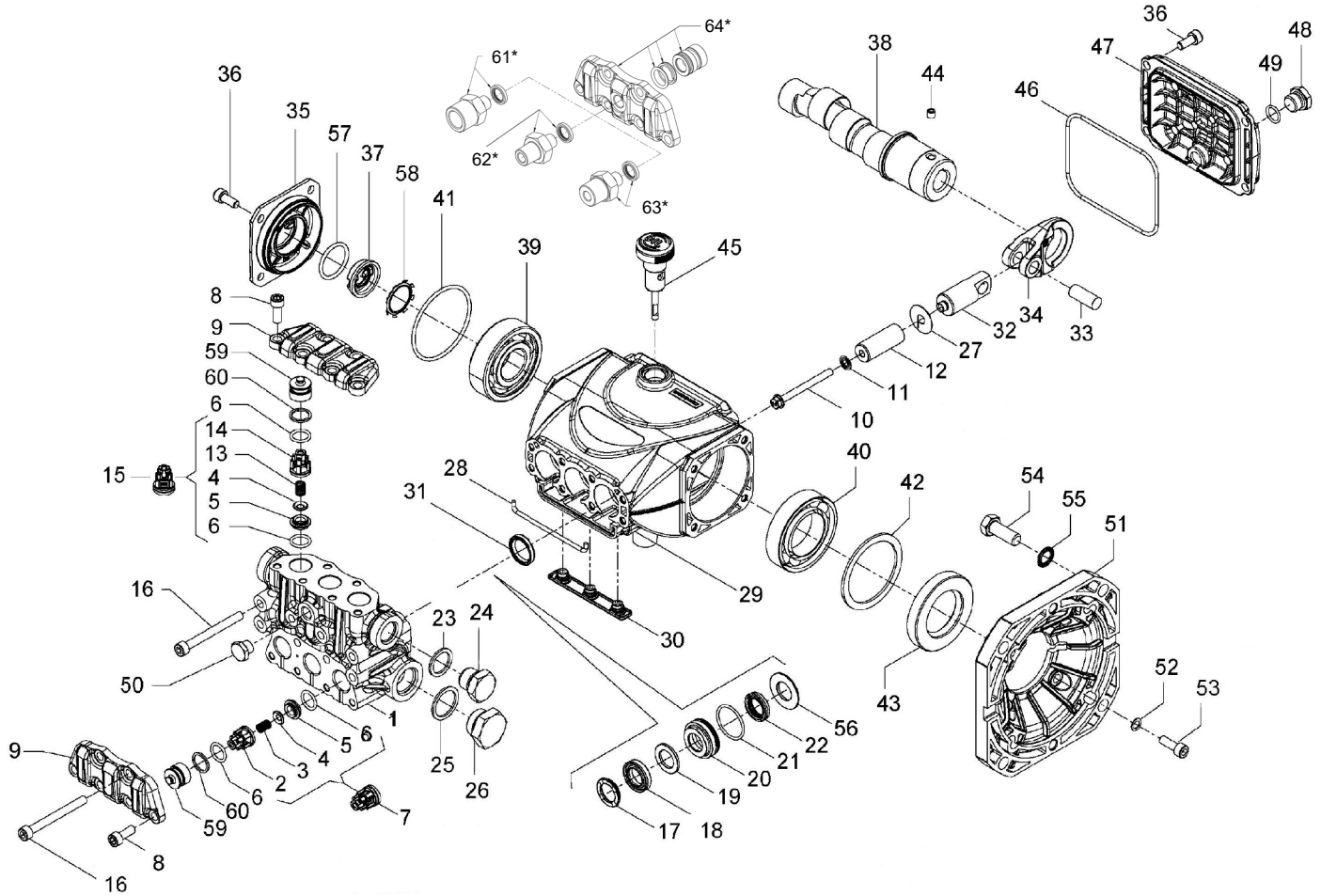
This change is not recommended because the oil has lost its properties, but rather to eliminate the impurities that have gotten into the oil during the running-in phase. If these impurities are not removed, but are allowed to remain in the oil, they *may cause premature wear* to the moving parts and the oil seals. **After this initial change, the oil can then be changed every three months or 300 hours of operation thereafter.**

Please note: If the pump works in conditions with high humidity and with sharp temperature changes, it is possible that condensation will appear inside the crankcase, which mixing with the oil can change its properties. This is easy to see because the oil changes to a white, milky color.

If the pump does not have excessive water leaking from the packings, and the oil becomes milky, the oil has to be changed more frequently. The percentage of water in the oil must not exceed 20%.

**Use oil per the following chart:**

CHART OF COMPATIBLE OILS SAE15W40	
General Pump	Series 100
BP	VISCO 2000
CASTROL	CWX
MOBIL	SUPER
SHELL	HELIX SUPER
TOTAL	QUARTZ 4000-5000



**PARTS LIST**

ITEM	PART NO.	DESCRIPTION	QTY	ITEM	PART NO.	DESCRIPTION	QTY	ITEM	PART NO.	DESCRIPTION	QTY
1.	53122115	Manifold, Ø 15	1	22.	90260800	Packing, Ø15x22x5, LP	3	39.	91832800	Bearing Ø15-18	1
	53122215	Manifold, Ø 18	1		90265000	Packing, Ø18x24x5, LP	3	40.	91846400	Bearing Ø15-18	1
2.	36211951	Inlet Valve Guide	3		710030	Packing, Ø15x22x5, LP (K312H, K313H)	3	41.	90389800	O-ring, Ø56.82x2.62	1
3.	94732600	Spring, Ø 6x12	3	23.	96738000	Washer, Ø17.5x23x1.5	1	42.	60210189	Spacer	1
4.	36211272	Valve, Spherical	6	24.	98210050	Plug, 3/8"x13	1	43.	90167500	Stop Ring Ø35x62x10	1
5.	36211366	Valve Seat	6	25.	96751400	Washer, Ø 21.5x27x1.5	1	44.	99179000	Screw M6x06	1
6.	90367400	O-ring, Ø12x2	6	26.	98218700	Plug, 1/2"x10	1	45.	98210800	Oil Dipstick G 3/8"x45	1
7.	36722401	Valve Assembly	3	27.	96699000	Gasket, Ø 7.5x23x0.5	3	46.	90391700	O-ring, Ø88.57x2.62	1
8.	99185400	Screw, M6x16	10	28.	53210382	Gasket, Ø3x85	1	47.	53160022	Rear Cover	1
9.	53211815	Valve Cover	2	29.	53010022	Crankcase	1	48.	98204250	Plug, 3/8"x9	1
10.	99169000	Plunger Bolt, M5x55	3	30.	58210451	Drip Cover	1	49.	701013	O-ring, Ø 10.82x1.78	1
11.	96690500	Washer, Ø 5x11.5x0.4	3	31.	90159300	Oil Seal, Ø 18x24x4	3	50.	98196800	Plug, 1/8"x8	1
12.	53040009	Plunger, Ø 15x38.5	3	32.	53050066	Piston Guide	3	51.	10034422	Flange for Electric Motor	1
	63040509	Plunger, Ø 18x38x8.5	3	33.	97733800	Piston Pin, Ø 10x26.5	3	52.	96693800	Washer Ø6.4x10x0.7	4
13.	94733300	Spring, Ø 6.2x10.4	3	34.	53030022	Connecting Rod	3	53.	99186700	Screw M6x18	4
14.	36211151	Outlet Valve Cage Guide	3	35.	53150022	Side Cover Housing	1	54.	99334500	Screw 3/8"x16	4
15.	36719301	Complete Outlet Valve	3	36.	99183700	Screw M6x14	8	55.	96710400	Washer Ø 10.5x16x1	4
16.	99199600	Screw, M6x70	8	37.	53210851	Oil Level Indicator	8	56.	53210670	Support Ring, Ø 15	3
17.	63101051	Head Ring, Ø 15	3	38.	60022465	Crankshaft, Ø 5 (ET1505E34)	1		53210770	Support Ring, Ø 18	3
	63101151	Head Ring, Ø 18	3		60022765	Crankshaft, Ø 6.5 (ET1506E34)	1	57.	90385900	O-ring Ø 25.07x2.62	1
18.	90261100	Packing, Ø15x24x5.4/3.4HP	3		60022765	Crankshaft, Ø 6.5 (ET1506E34)	1	58.	90067100	Stop Ring	1
	90265350	Packing, Ø18x28x6/3.7HP	3		60022265	Crankshaft, Ø 4.0 (ET1504E34)	1	59.	53211970	Inlet/Outlet Valve Cap	6
	710031	Packing, Ø 15, HP (K312H, K313H)	3		60022965	Crankshaft, Ø 7.2 (ET1807E17, ET1507E34)	1	60.	90509300	Support Ring, Ø 16.4x13.2x1.3	6
19.	90508990	Anti-ext. Ring, Ø15x24x2	3		60023465	Crankshaft, Ø 9.4 (ET1509E17, ET1809E17)	1	61.*	101162	Kit, ADTR, 1/4"-F, SS, W/Seal	1
	90511150	Anti-ext. Ring, Ø18x28x2	3					62.*	101157	Kit, ADTR, 1/4"-M, SS, W/Seal	1
20.	53210170	Support Ring, Ø 15x24x2	3					63.*	101158	Kit, ADTR, 3/8"-K, SS, W/Seal	1
	53210270	Support Ring, Ø 18	3					64.*	K423	Kit, Tapped Valve Plate W/ Valve Spacer & Seals	1
21.	90360400	O-ring, Ø25.12x1.78	3								

\* Optional Parts

\*\* 53150001 Oil Level Indicator Assembled W/O Screws and O-ring

**REPAIR KITS**

**TORQUE SPECS\***

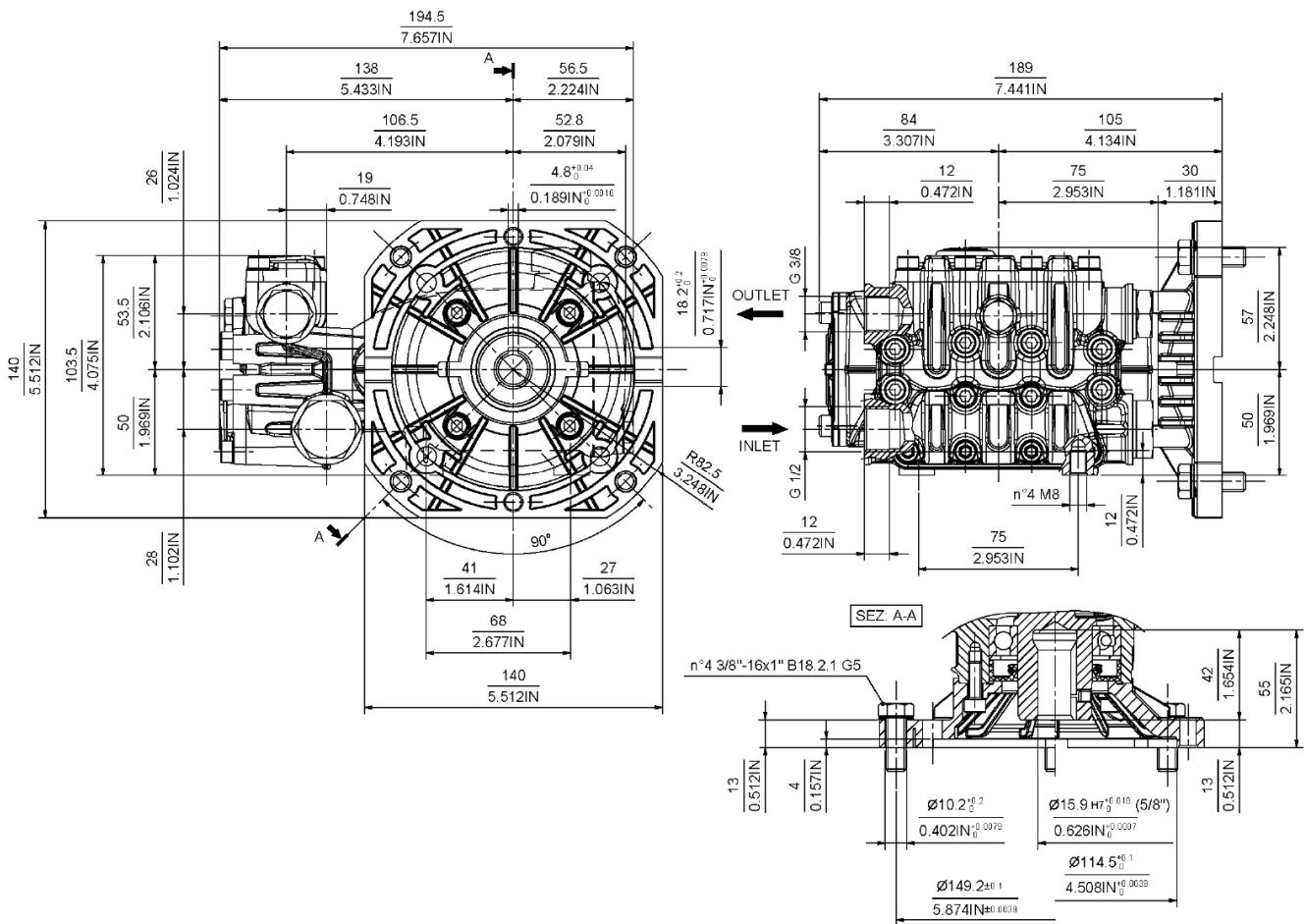
KIT NO.	K309	K311	Ø 15				Ø 18	
			K312	K312H* (Hot Kit)	K313	K313H* (Hot Kit)	K314	K315
ITEM NO'S INCLUDED IN KIT	2, 3, 4, 5, 6, 13, 14, (7), (15)	31	17, 18, 19, 21, 22	18, 22	17, 18, 19, 20, 21, 22, 56	17, 18, 19, 20, 21, 22, 56	17, 18, 19, 21, 22	17, 18, 19, 20, 21, 22, 56
NUMBER OF ASSY'S IN KIT	6	3	3	3	1	3	3	1
NO. OF CYLINDERS KIT SERVICES	3	3	3	3	1	3	3	1

Position	Ft.-Lbs.	Nm.
8	8.9	12
10	4.4	6
16	8.9	12
24**	30	40
26	30	40
36	7.4	10
48	14.8	20
50**	9.6	13
53	7.3	10

\*Decrease torque by 20% if threads are lubricated.  
\*\*Use Loctite 542 Red

<sup>1</sup> Note: Seal tools included

**DIMENSIONS**



**WARNING:** High Pressure Systems require a primary pressure regulating device (i.e. regulator, unloader) and a secondary pressure relief device (i.e. pop-off valve, relief valve). Failure to install such relief devices properly could result in personal injury or damage to pump or property. GP does not assume any liability or responsibility for the operation of the user's high pressure system.

