

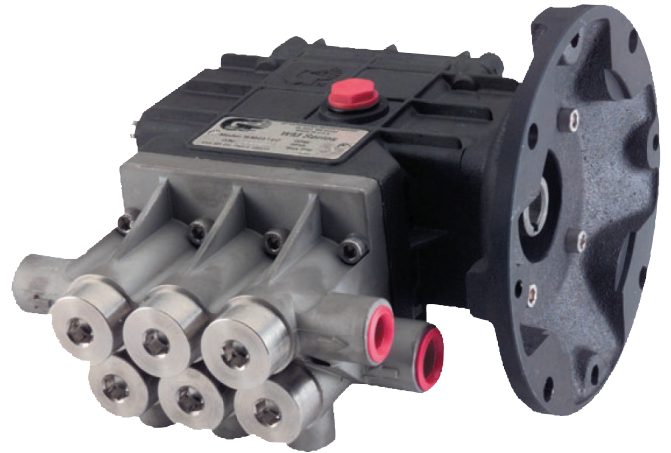
GENERAL PUMP *A member of the Interpump Group*

WM Series

Reverse Osmosis Pump - Hollow Shaft - Needle Bearing

FEATURES

- 316 Stainless Steel Wet-End
- 300 Series Stainless Steel Fasteners
- Parallel Inlet and Outlet Valve Design for Efficiency and Easy Maintenance
- Corrosion Resistant Valve and Packing Design
- Innovative Wear Resistant High and Low Pressure Seals
- Dual Inlet and Outlet Porting
- Anodized Crankcase for Corrosion Resistance
- NEMA 56C Flange with 5/8" Hollow Shaft
- Left-handed crankshaft orientation available (add "L" to end of part number)
- Available with EPDM (add "E" to end of part number)

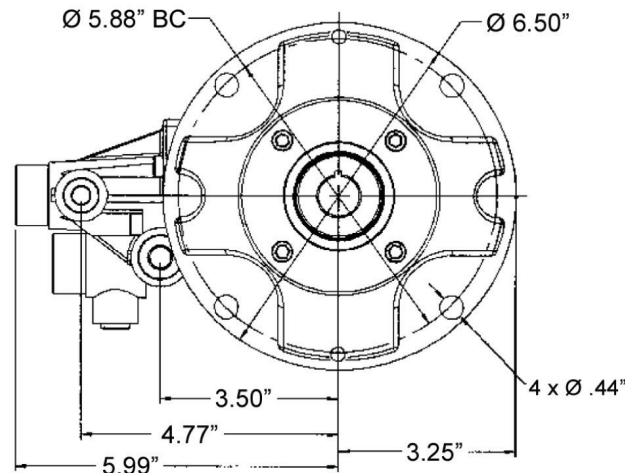
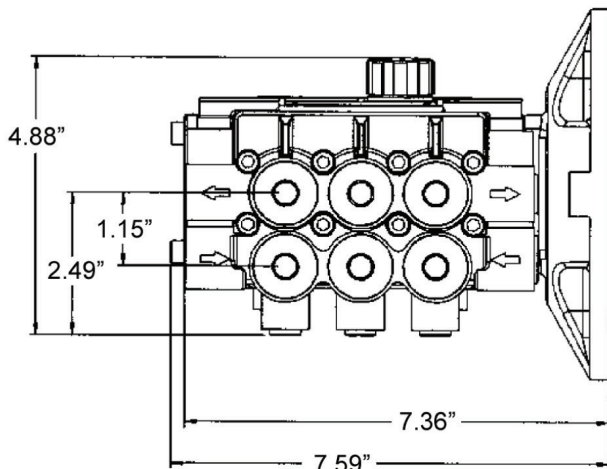


SPECIFICATIONS

Pump Model	WM0515C	WM0815C	WM1015C	WM1615C	WM2315C	WM2415CL	WM3015C	WM3615C	WM4215C*
Max Volume	0.5 GPM	0.8 GPM	1.0 GPM	1.6 GPM	2.3 GPM	2.4 GPM	3.0 GPM	3.6 GPM	4.2 GPM
Max Discharge Pressure	1500 PSI								
Max Pump Speed	1750 RPM								
Rated Inlet Pressure	-5 - 50 PSI								
Plunger Bore (in/mm)	.709/18								
Plunger Stroke (in/mm)	.063/1.6	.099/2.5	.122/3.1	.189/4.8	.295/7.5	.295/7.5	.370/9.4	.413/10.5	.429/12.5
Crankcase Oil Capacity	12.0 oz								
Max Fluid Temperature	140° F								
Inlet Port Thread	1/2" NPT-F								
Discharge Port Thread	3/8" NPT-F								
Shaft Diameter	5/8" Hollow								
Weight	13.5 lbs								
Dimensions	9.0" x 7.5" x 6.0"								

* Use suggested motor #639921 (or motor specs of 2.5 HP / 2.2 HP 60HZ / 50 HZ, 1 PH 115V/230V)

DIMENSIONAL DRAWING



General Pump is a member of the Interpump Group



Ref 300061 Rev. M
04-21

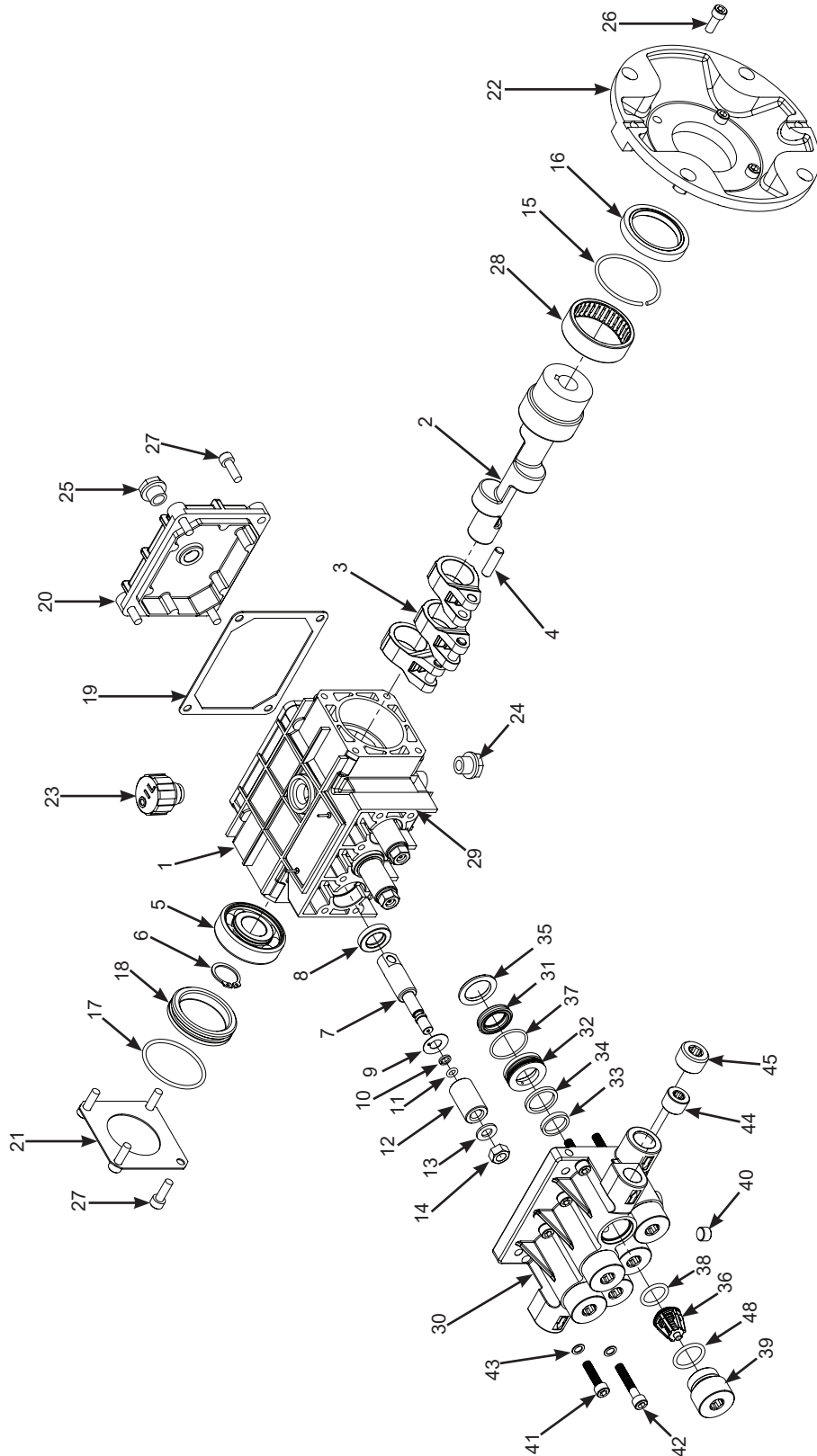


WM Series

Reverse Osmosis Pump - Hollow Shaft - Needle Bearing

GENERAL PUMP *A member of the Interpump Group*

EXPLODED VIEW



WM Series

Reverse Osmosis Pump - Hollow Shaft - Needle Bearing

GENERAL PUMP *A member of the Interpump Group*

PARTS LIST

CRANKCASE ASSEMBLY

Item	Part #	Description	QTY.
1	650000	Crankcase (Case Only)	1
2	650006	Crankshaft, 5/8" HS, Needle WM0515C	1
	650051	Crankshaft, 5/8" HS, Needle, WM0815C	
	650052	Crankshaft, 5/8" HS, Needle, WM1015C	
	650053	Crankshaft, 5/8" HS, Needle, WM1615C	
	650054	Crankshaft, 5/8" HS, Needle, WM3615C	
	650002	Crankshaft, 5/8" HS, Needle, WM2315C	
	650003	Crankshaft, 5/8" HS, Needle, WM3015C	
	650005	Crankshaft, 5/8" HS, Needle, WM4215C	
3	650024	Rod, Connecting	3
4	650023	Wrist Pin	3
5	147004	Bearing, Crankshaft	1
6	650029	Snap Ring	1
7	650020	Rod, Plunger	3
8	710002	Seal, Oil, 15 x 24 x 5	3
9	650021	Slinger	3
10	660024	Ring, Anti-extrusion	3
11	701501	O-ring, 70 Duro, Viton, .208 ID x .070 CS	3
	701009E	O-ring, 70 Duro, Viton, .298 ID x .070 CS, EPDM	
12	650018	Plunger, 18 mm	3
13	203401	Washer, Plunger	3
14	203000	Nut, Plunger	3
15	650043	Ring, Retainer, 2.07 OD x .100 CS	1
16	650050	Seal, Crankshaft, NB	1
17	701133	O-ring	1
18	650010	Cover, Side	1
19	650048	Gasket, Rear Cover	1
20	650026	Cover, Rear	1
21	650009	Cover, Side	1
22	650034	Flange, NEMA 56C Face	1
23	650032	Cap, Oil	1
24	650031	Plug, Drain	1
25	650025	Sight Glass, Cap	1
26	200003	Screw, SHCS, M6 x 1.0 x 25	4
27	200005	Screw, SHCS, M6 x 1.0 x 16	8
28	650049	Needle Bearing, 2.047 OD x 1.772 ID x .63 WD	1

WET END ASSEMBLY

Item	Part #	Description	QTY.
29	195031	Crankcase Assembly (Items 1-29), WM0515C	1
	195032	Crankcase Assembly (Items 1-29), WM0515CL	
	195028	Crankcase Assembly (Items 1-29), WM0815C	
	195025	Crankcase Assembly (Items 1-29), WM0815CL	
	195026	Crankcase Assembly (Items 1-29), WM1015C	
	195027	Crankcase Assembly (Items 1-29), WM1015CL	
	195029	Crankcase Assembly (Items 1-29), WM1615C	
	195035	Crankcase Assembly (Items 1-29), WM1615CL	
	195030	Crankcase Assembly (Items 1-29), WM3615C	
	195012	Crankcase Assembly (Items 1-29), WM3615CL	
	195044	Crankcase Assembly (Items 1-29), WM2415CL	
	195014	Crankcase Assembly (Items 1-29), WM2315C	
	195011	Crankcase Assembly (Items 1-29), WM1315CL	
	195019	Crankcase Assembly (Items 1-29), WM3015C	
	195009	Crankcase Assembly (Items 1-29), WM3015CL	
	195016	Crankcase Assembly (Items 1-29), WM4215C	
195010	Crankcase Assembly (Items 1-29), WM4215CL		
30	520055	Manifold	1
31	90220000	Seal, Low Pressure	3
	710026	Seal, Low Pressure, EPDM	
32	520376	Seal, Case, Low Pressure	3
	660193	Seal, Case, Low Pressure, EPDM	
33	710010	Seal, Glyd, 18mm	3
	710028	Seal, Glyd, 18mm, EPDM	
34	710011	Seal, Square, 18mm	3
	710027	Seal, Square, 18mm, EPDM	
35	520375	Seal, Retainer	3
	660192	Seal Retainer, EPDM	
36	103042	Assembly, Valve, 316	6
37	701023	O-ring, 1.051 ID x .070 CS	3
	701023E	O-ring, 1.051 ID x .070 CS, EPDM	
38	701115	O-ring, .674 ID x .103 CS	6
	701115E	O-ring, .674 ID x .103 CS, EPDM	
39	520057	Plug, Valve	6
40	520171	Plug, 1/8-27 NPT, Hollow, Hex	1
41	200025	SHCS, M6 x 1.0 x 25mm	4
42	200026	SHCS, M6 x 1.0 x 35mm	4
43	203510	Washer, Lock	8
44	520063	3/8-18 Hollow Hex Plug, 316 SS	1
45	520062	Plug, Hollow Hex, 1/2 NPT, SS	1
48	701002	O-ring, .799 ID x .103 CS	6
	701117E	O-ring, .799 ID x .103 CS, EPDM	

REPAIR KITS

KIT NO.	WM01	WM01E (EPDM)	WM02*	WM02E* (EPDM)
ITEM NO'S INCLUDED IN KIT	36, 38, 48	36, 38, 48	10, 11, 31, 32, 33, 34, 35, 37	10, 11, 31, 32, 33, 34, 35, 37
NUMBER OF ASSEMBLIES IN KIT	6	6	3	3
NUMBER OF CYLINDERS KIT WILL SERVICE	3	3	3	3

*Kits WM02 and WM02E includes seal insertion tools 660062 & 660063

TORQUE SPECS*

ITEM	Ft-lbs	Nm
14	7.3	9.9
26	7.3	9.9
27	7.3	9.9
39	22	29.8
41	8.0	10.8
42	8.0	10.8

*Decrease torque by 20% if threads are lubricated.

GENERAL PUMP 1174 Northland Drive • Mendota Heights, MN 55120
Phone: 651.686.2199 • Fax: 800.535.1745 • e-mail: sales@gpcompanies.com • www.generalpump.com

Ref 300061 Rev. M
04-21

