

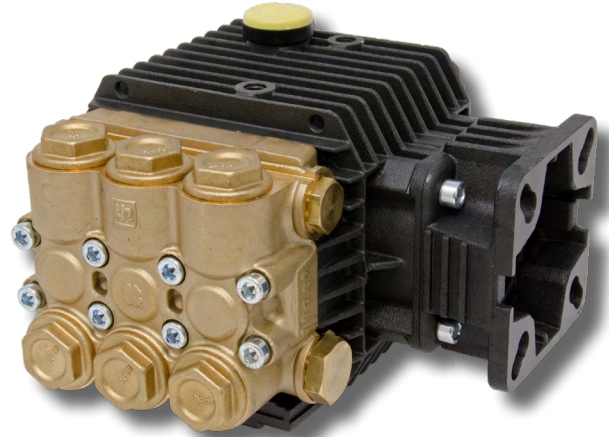
GENERAL PUMP *A member of the Interpump Group*

TT Series 51, GBF

Triplex Plunger Pumps

FEATURES

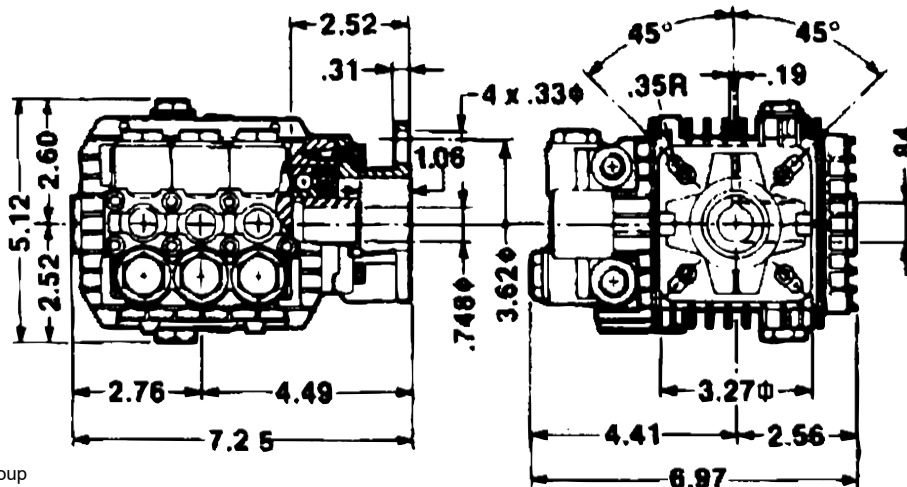
- Forged brass manifold
- Die-cast anodized aluminum, oil-bath crankcase
- Solid ceramic plungers with continuously lubricated packings
- The original Interpump unitized, stainless steel, K01 inlet and outlet valves
- Ideal for all general cleaning applications
- Comes standard with SAE J609 gasoline engine mounting flange
- Also available in "L" left-handed versions



SPECIFICATIONS

Pump Model	TT9061GBF	TT9071GBF	TT1540GBF	TT2028GBF	TT2035GBF
Max Volume	2.11 GPM	2.8 GPM	4.0 GPM	2.8 GPM	3.5 GPM
Max Discharge Pressure	1500 PSI	2000 PSI	1500 PSI	2000 PSI	
Max Pump Speed	3400 RPM				
Max Inlet Pressure	125 PSI				
Max Inlet Vacuum	3 ft. Water (2.6 in. Hg)				
Bore	.591 in. / 15 mm				
Stroke	.197 in./5mm	.260 in./6.6 mm	.370 in./9.4 mm	.260 in./6.6 mm	.315 in./8 mm
Crankcase Oil Capacity	11.2 oz.				
Max Fluid Temperature	165° F				
Inlet Port Thread	3/8"-19 BSPP-F				
Discharge Port Thread	1/4"-19 BSPP-F				
Shaft Diameter	3/4 in. / 19 mm				
Weight	11.4 lbs.				
Dimensions	7.2" x 7.2" x 5.5"				

DIMENSIONAL DRAWING



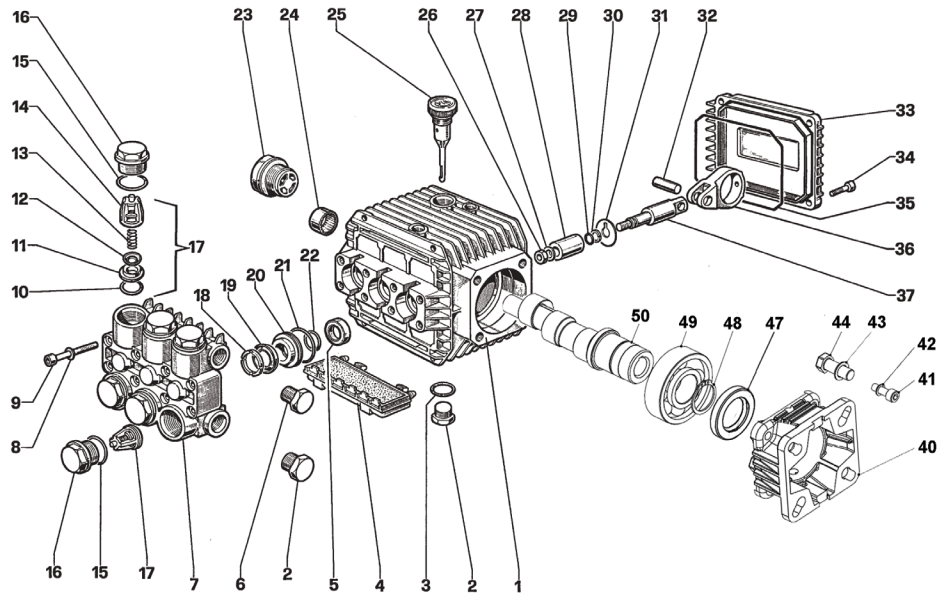
General Pump is a member of the Interpump Group

Ref 300225 Rev. L
04-23



TT Series 51, GBF

GENERAL PUMP *A member of the Interpump Group*



PARTS LIST

No.	Part No.	Description	Qty.	No.	Part No.	Description	Qty.	No.	Part No.	Description	Qty.
1	51010622	Crankcase	1	18	51100051	Head Ring	3	36	51030022	Connecting Rod	3
2	98210000	Plug, 3/8"-BSPF	2	19	90262000	Packing	3	37	51050056	Piston Guide	3
3	90383300	O-ring, .549 x .103	1	20	51080070	Packing Retainer	3	38	99273000	Screw, 5/16	4
4	51209102	Protector	1	21	90360400	O-ring, .989 x .070	3	39	96701400	Washer, M8.4, Schnorr	4
5	90156500	Oil Seal	3	22	90383500	O-ring, .594 x .103	3	40	ZFWWS	Flange	1
6	98204100	Plug	1	23	97596800	Sight Gauge	1	41	99186700	Bolt, M6 x 18	4
7	51120041	Manifold, Brass	1	24	91801500	Needle Bearing	1	42	96693800	Washer, Ø 6.4x10 x 0.7	4
	51120022	Manifold, Aluminum	1	25	98210300	Oil Dip Stick	1	43	96701400	Washer, Ø 8.4x13 x 0.8	4
8	96693800	Washer, M6.4, Schnorr	12	26	92221600	Nut, M8	3	44	99273000	Bolt, 5/16" x 3/4" x 2.4	4
9	99194300	Screw, M6 x 40	12	27	96700800	Washer, M8	3	47	90165100	Oil Seal	1
10	90384100	O-ring, .674 x .103	6	28	51040009	Plunger, 15 mm	3	48	90066700	Retaining Ring	1
11	36200366	Valve Seat	6	29	90357200	O-ring, .208 x .070	3	49	20283521	Bearing	1
12	36200176	Valve Plate	6	30	90502200	Back-up Ring	3	50	51021065	Crankshaft, TT9061	1
13	94737600	Spring	6	31	96707000	Washer, Flinger	3		51021165	Crankshaft, TT9061, TT2028	1
14	36200251	Valve Cage	6	32	97371000	Connecting Rod Pin	1		51021965	Crankshaft, TT1540	1
15	90384700	O-ring, .797 x .103	6	33	51160022	Crankcase Cover	4		51021865	Crankshaft, TT2035	1
16	98221800	Valve Cap	6	34	99186700	Screw	4				
17	36703201	Valve Assembly	6	35	90391700	Gasket	1				

REPAIR KITS

KIT NO.	1	83	84	86	96	97
ITEM NO's INCLUDED IN KIT	10, 11, 12, 6, 7, 8 (17)	5	15, 16	20, 21, 22	18, 19, 20, 21, 22	18, 19, 21, 22
NUMBER OF ASSEMBLIES IN KIT	6	3	6	3	1	3
NUMBER OF CYLINDERS KIT WILL SERVICE	3	3	3	3	1	3

TORQUE SPECS*

Position	Ft. Lbs.
2	29.4
6	14.7
9	8.8
16	33.1
23	13.2
26	11.0
34	7.3
38	22.1
40	7.3
49	14.7
52	7.3

* Decrease torque by 20% if threads are lubricated

WARNING: High Pressure Systems require a primary pressure regulating device (i.e. regulator, unloader) and a secondary pressure relief device (i.e. pop-off valve, relief valve). Failure to install such relief devices properly could result in personal injury or damage to pump or property. GP does not assume any liability or responsibility for the operation of the user's high pressure system.



WARNING: This product can expose you to chemicals including lead, which is known to the state of California to cause cancer and birth defects or other reproductive harm. For more information, go to www.P65Warnings.ca.gov

