

# Inline Hi-Press. Filter

*Quick Disconnect*

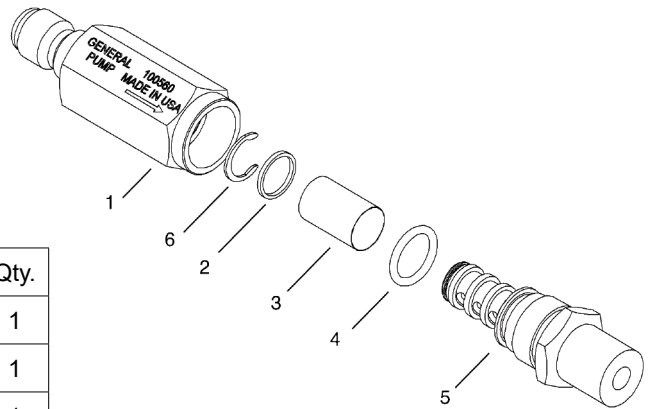


## SPECIFICATIONS

Part Number:	100560	
Max Volume:	8.0 GPM	
Max Pressure:	5,500 PSI	
Max Temp:	200° F	
Ports:	Inlet:	1/4" QD Plug
	Outlet:	1/4" NPT-M
Dimensions	3.0" x .875"	
Weight	.25 lbs	
Materials	Brass, Stainless Steel, Buna-N	

## PARTS LIST

No.	Part No.	Description	Qty.
1	520118	Housing, Nozzle Filter, SS 1/4 QD	1
2*	510304	Retainer, Filter	1
3*	700015	Screen, 100 Mesh, T304SS	1
4*	701013	O-ring, 70 Duro, Buna-N, .426 ID x .070 CS	1
5	510253	Outlet Fitting, Nozzle Filter, 1/4 NPT-M	1
6	202034	Retainer, External, SS	1
*	100670	Repair Kit	





100647

## SPECIFICATIONS

Part Number:	1/4" Male/Male	100622
	1/4 Female/Male	100647
Max Volume:	8.0 GPM	
Max Pressure:	5,000 PSI	
Max Temp:	200° F	
Ports:	Inlet:	100622 1/4" NPT-M
		100647 1/4" NPT-F
	Outlet:	1/4" NPT-M
Dimensions	2.75" x .875"	
Weight	.25 lbs	
Materials	Brass, Stainless Steel, Buna-N	

## PARTS LIST

No.	Part No.	Description	Qty.
1a	510286	Housing, Nozzle Filter, 1/4 NPT-M	1
1b	510292	Housing, Nozzle Filter, 1/4 NPT-F	1
2*	510304	Retainer, Filter	1
3*	700015	Screen, 100 Mesh, T304SS	1
4*	701013	O-ring, 70 Duro, Buna-N, .426 ID x .070 CS	1
5	510253	Outlet Fitting, Nozzle Filter, 1/4 NPT-M	1
6	202034	Retainer, External, SS	1
*	100670	Repair Kit	

