

GENERAL PUMP *A member of the Interpump Group*

YLS Foamers

Foamer with Built-In Injector

FEATURES

- Comfortable Impact Resistant Housing
- Forged Brass Body with Stainless Steel Diffuser
- Adjustable Injector
- Available With or Without Tank (YLS12/YLS12T)



YLS12



YLS12T w/Tank



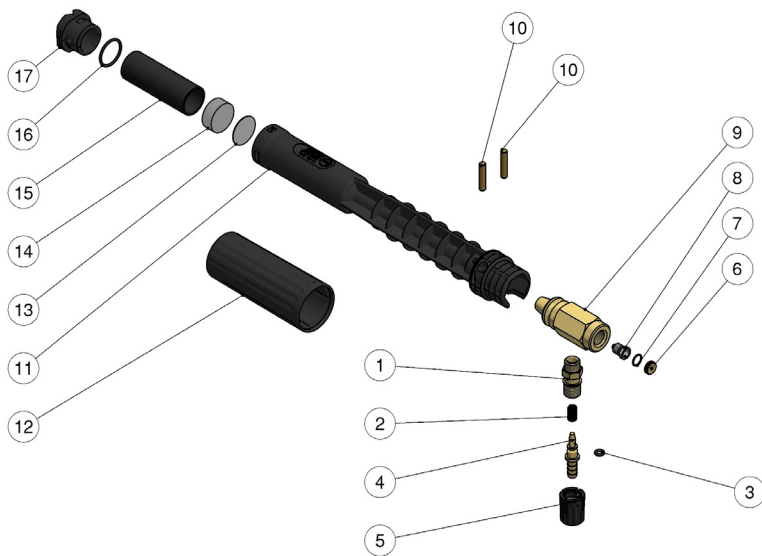
YLS31T

SPECIFICATIONS

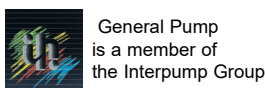
Part Number	YLS12	YLS12T	YLS31T
Maximum Volume	6.5 GPM		3.2 GPM
Maximum Discharge Pressure	3200 PSI		2600 PSI
Maximum Fluid Temperature	140 °F		
Inlet Port Thread	G 1/4-F		1/4"
Tank Capacity	n/a	1 Liter	
Injector Size	n/a	1.5 mm	1.25 mm
Weight	.8 lbs	1.25 lbs	1.2 lbs
Dimensions	12"x1.6"x3"	12.5"x3.5"x10.5"	12.9" x 3.3" x 6.7"
Materials	Stainless Steel, Brass, Viton, Plastic		

PARTS LIST

YLS12

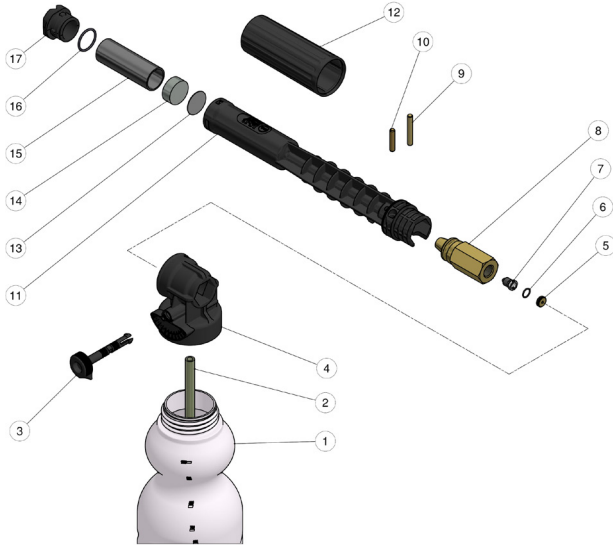


Item	Part Number	Description	Qty
1	Y21017331	Coupling, M12 x 1-1/4 BSP-M	1
2	Y21015851	Spring	1
3	Y10304301	O-ring, 1.78 x 4.48mm	1
4	Y21015599	Hose Barb	1
5	Y21017184	Injector Knob. 1/4 BSP-F	1
6	Y25008531	Nozzle Insert	1
7	Y10300300	O-ring, 1 x 8 mm	1
8	Y21000751	Nozzle, M8 x 1	1
9	Y25180331	Injector Housing	1
10	Y30050931	Parallel Pin	1
11	Y25180185	Lance Housing	1
12	Y25180584	Knob	1
13	Y29080253	Diaphragm	1
14	Y25180651	Pressed Strainer	1
15	Y25183185	Spacer	1
16	Y10307210	O-ring, 1.78 x 20.35	1
17	Y25180285	Front Nozzle	1



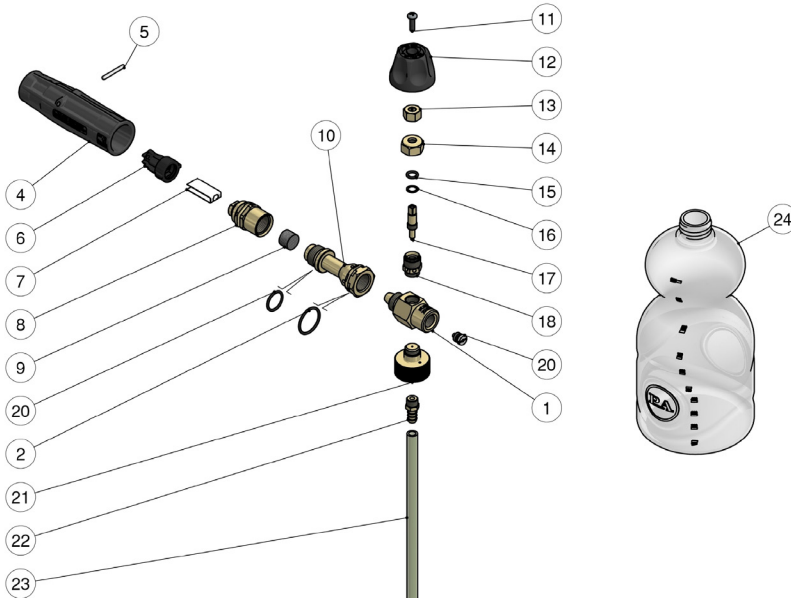
PARTS LIST

YLS12T



Item	Part Number	Description	Qty
1	Y14650700	Tank (YLS12T)	1
2	Y29082285	Hose (YLS12T)	1
3	Y25181784	Detergent Adjusting Pin	1
4	Y25181684	Tank Holder	1
5	Y25008531	Nozzle Insert	1
6	Y10300300	O-ring 1 x 8 mm	1
7	Y21000751	Sst 1,5 mm nozzle	1
8	Y25184131	Injector Housing	1
9	Y30641631	Parallel Pin, 5 x 34 mm	1
10	Y30050931	Parallel Pin, 5 x 24.54	1
11	Y25180185	Plastic housing	1
12	Y25180584	Knob	1
13	Y29080253	Diaphragm	1
14	Y25180651	Strainer pill	1
15	Y25183185	Spacer	1
16	Y10307210	O ring 1,78 x 20,35 mm	1
17	Y25180285	Front Nozzle	1

YLS31T



Item	Part Number	Description	Qty
1	Y25150331	Injector Housing	1
2	Y10307250	O-ring, 1.78x21.95	1
3	Y10306600	O-ring, 1.78x15.6	1
4	Y25101884	Nozzle Knob, Black	1
5	Y15104100	Parallel Pin, 3x25, SS	1
6	Y25095284	Deflector Housing	1
7	Y25102053	Deflector, SS	1
8	Y25152231	Injector Housing	1
9	Y25151251	Pressed Strainer	1
10	Y25152131	Front Injector Housing	1
11	Y16184000	Screw, M4x14	1
12	Y25153584	Knob	1
13	Y29092431	Groove Nut, Brass	1
14	Y29093831	Ring Nut, M14x1	1
15	Y10305200	O ring 1.78 x 6.75 mm	1
16	Y29094051	Washer, 7x9.5x0.7	1
17	Y25150431	Pin	1
18	Y25150231	Piston Holder	1
19	Y15380812	Label	1
20	Y21022351	Nozzle, 1.25 mm	1
21	Y25150531	Tank Holder	1
22	Y29010331	Nipple, Brass	1
23	Y16052100	Hose, 6x9, PVC	1
24	Y14560225	Tank	1

WARNING: High Pressure Systems require a primary pressure regulating device (i.e. regulator, unloader) and a secondary pressure relief device (i.e. pop-off valve, relief valve). Failure to install such relief devices properly could result in personal injury or damage to pump or property. GP does not assume any liability or responsibility for the operation of the user's high pressure system.



WARNING: This product can expose you to chemicals including lead, which is known to the state of California to cause cancer and birth defects or other reproductive harm. For more information, go to www.P65Warnings.ca.gov