

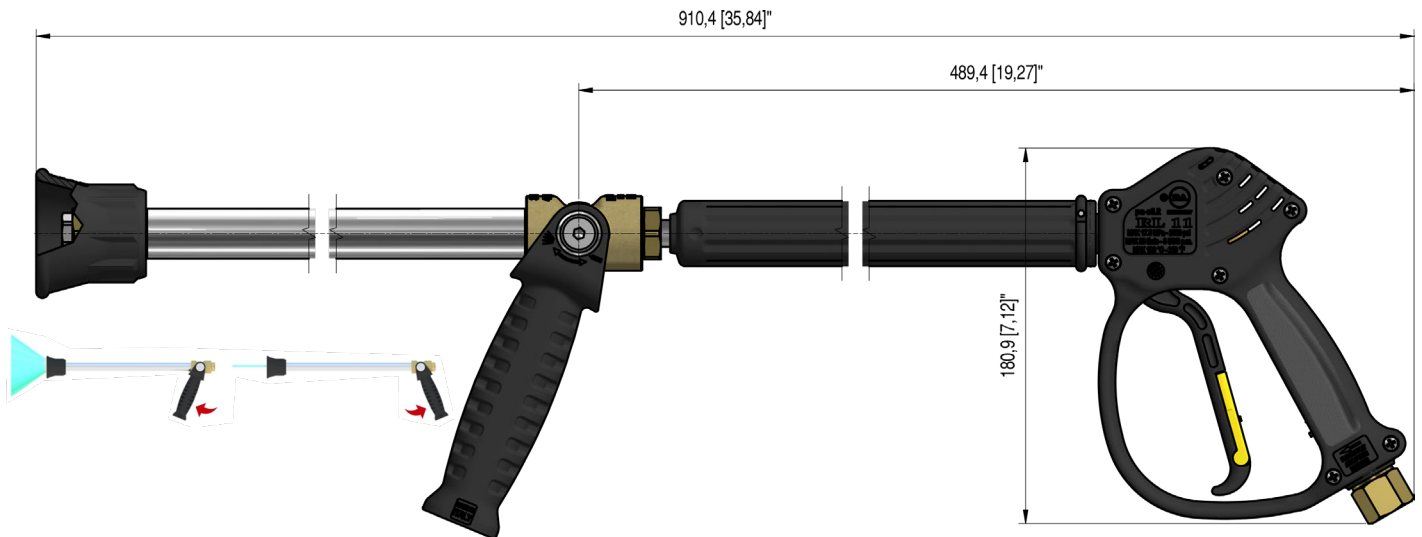
FEATURES

- Shock resistant plastic housing
- Stainless Steel seat and ball
- Internal construction of brass and Stainless Steel
- 37 inch lance
- Ergonomic design
- Minimizes fatigue for the operator

SPECIFICATIONS

| | |
|----------------------------|---|
| Part Number | YG23LA37 |
| Maximum Volume | 8.0 GPM |
| Maximum Discharge Pressure | 2,300 PSI |
| Maximum Fluid Temperature | 195° F |
| Inlet Port Thread | G 3/8" - F |
| Orifice Size | #3 (1 mm) |
| Weight | 5.4 lbs. |
| Materials | Stainless Steel, Brass, Plastic, Buna-N, Teflon |

DIMENSIONS



YG23LA37

Washdown Gun/Lance Assembly

GENERAL PUMP

A member of the Interpump Group

INSTRUCTIONS

This product is to be used with clean, fresh water. For use involving different or corrosive liquids, contact GP's customer service department. Appropriate filtration should be installed when using unclean liquids. Choose the gun that most closely matches the rated pressure, max flow and max temperature of the pressure wash system. In any case, the pressure of the machine should not exceed the permissible pressure rate imprinted on the gun.

INSTALLATION

This gun was designed to operate with hot water (in compliance with the technical specs), making sure not to exceed the max temperature. Always fit a safety valve to protect the system when the latter is under pressure. If the nozzle wears out, the pressure falls. When you install a new nozzle, adjust the system back to the original pressure.

OPERATION

The gun opens and closes a high pressure conduct by means of a piston acting on a seat; the return is controlled by a spring which releases the trigger. Attention: during pump activation ALWAYS set the gun with its safety latch connected in order to prevent accidental openings. The handle on the lance controls the flow.