

MF45/50/55 Series

FEATURES

- Packings/Plungers serviceable without removing manifold
- High pressure, Triplex Plunger Pump, available in 3 flows
- Low-high pressure packing design with integrated cooling system
- Splash lubrication
- External gear box
- F2152 kit allows for easy adaptation to MSS mounting pattern
- Gear ratios: 1500 RPM=1.876:1, 1800 RPM=2.238:1, 2200 RPM =2.722:1, 2600 RPM=3.25:1



MATERIALS

- Pump body in cast iron
- Manifold made of spheroidal cast iron with HR coating
- Forged steel connecting rods with antifriction bearings
- Crankshaft made of nitrided, hardened and tempered alloy steel
- Light alloy plunger guides, nickel treated
- Solid ceramic plungers
- Stainless steel valves

Product Group: V

COMMON SPECIFICATIONS

- Maximum Inlet Pressure: 45 PSI
- Maximum Fluid Temperature: *140° F
- Inlet Port Thread: 2-1/2" NPT-F
- Discharge Port Thread: 1-1/4" NPT-F
- Shaft Diameter (w/gearbox): 1.969"/50 mm
- Shaft Diameter without gearbox: 3.149"/80 mm
- Stroke: 2.756"/70 mm
- Pump Dimensions: 29.5" x 23" x 14.5"
- Crankcase Oil Capacity: 304.3 oz. (9 liters)
 (use GP Series 220 Oil)
- Shipping Weight: 573 lbs./260 kg

*Please consult technical guide or GP Sales Representative for Temperature/Inlet Pressure Information.

Note: All models come standard with crankshaft on right side (when facing manifold), specify "L" after part number when ordering left hand version.

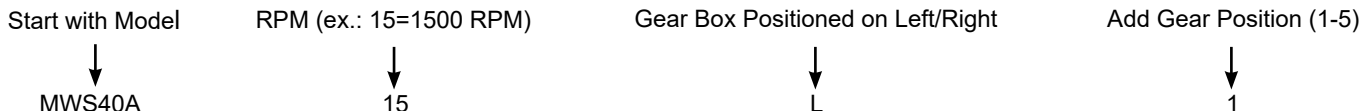
For continuous duty applications please contact General Pump Sales Personnel.

MODEL	GPM/LPM	PSI/BAR	RPM	BORE	HP
MF45A	71.0 GPM/269 LPM	2900 PSI/200 BAR	1500/1800/2200/2600	1.771 in./45 mm	140
MF50A	88.0 GPM/333 LPM	2500 PSI/172 BAR	1500/1800/2200/2600	1.968 in./50 mm	147
MF55A	106.0 GPM/401 LPM	2030 PSI/140 BAR	1500/1800/2200/2600	2.165 in./55 mm	147

Volumes are theoretical at 100% volumetric efficiency.

How to order/Examples of Part Numbers:

When ordering with gear box:



So the Part Number in the Above Example: MWS40A15L1
 (Model is MWS40A, with an RPM of 1500, gear box positioned on left side of pump, in the first position.)

PUMP OPTIONS

- "F" version features flushing option
- "N" version available with duplex F51 Stainless Steel manifold and 17-4 SS valves
- "R" version suitable for recycled water and run dry applications (available for MWS40A only, Max Temp 185° F)
- Available with or without gear box
- SAE-J 744-C hollow shaft P.T.O. for direct mount hydraulic drive available

ACCESSORIES

REGULATORS

■ RV3

53.0-132.0 GPM
4350-6500 PSI



■ RX3

120.0 - 132.0 GPM
1450 - 4350 PSI
Stainless Steel



■ PN3

79.0-132.0 GPM
2350-4350 PSI



GUNS / LANCES

■ ZP87SSL19/39/19S/39S

15.85 GPM
8700 PSI



■ YG7221/L31-YG7221/51

21.0 GPM
7250 PSI



■ YRL56L

8.0 GPM
5650 PSI



SAFETY DEVICES

■ SV3

132 GPM
1450-4350 PSI



■ SX3

132.0 GPM
2900 - 4350 PSI



PULSATION DAMPENERS

■ A7

43.0 GPM
3050PSI



■ A7S

43.0 GPM
4750PSI



■ A15

105.6 GPM
4750 PSI



MISCELLANEOUS

■ 320001/ 320003

3000/5000 PSI
Pressure
Gauge



■ 190600

Priming Drain
Valve Kit



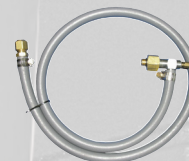
■ 639273

55.0 GPM
50/297 Mesh/
Micron
Filter



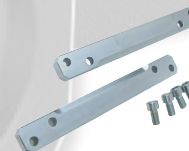
■ 190448

Oil Drain Kit



■ F2152

Rails for
MSS Footprint

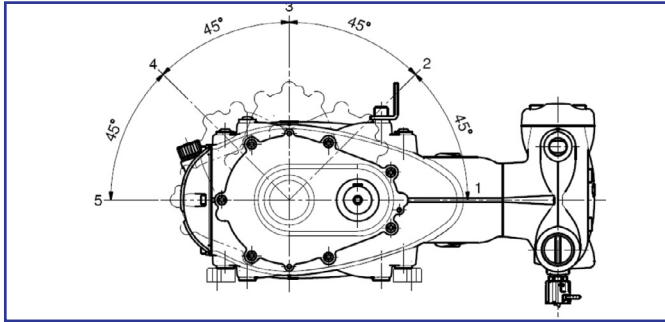


MF45/50/55 series

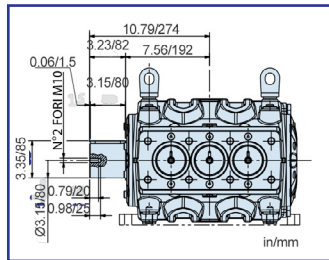
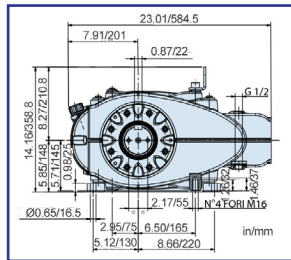
Technical Details



DRIVE OPTIONS



- L** Gear box on the left side
- R** Gear box on the right side
- L1** Gear box is shown in position L1 (left side, 0° angle)

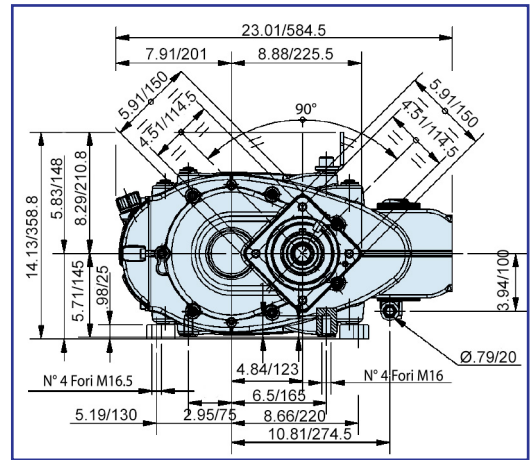
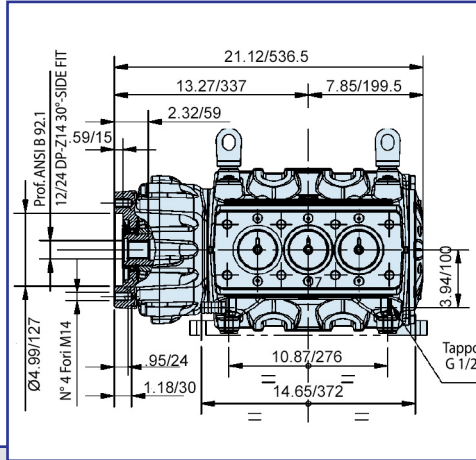


Direct drive without gearbox 800 RPM

	1:1,87	1:2,24	1:2,72
r.p.m.	1500	1800	2200



**SAE J744-C Spline Shaft
14T 12/24 DP Hydraulic
Motor Mount**



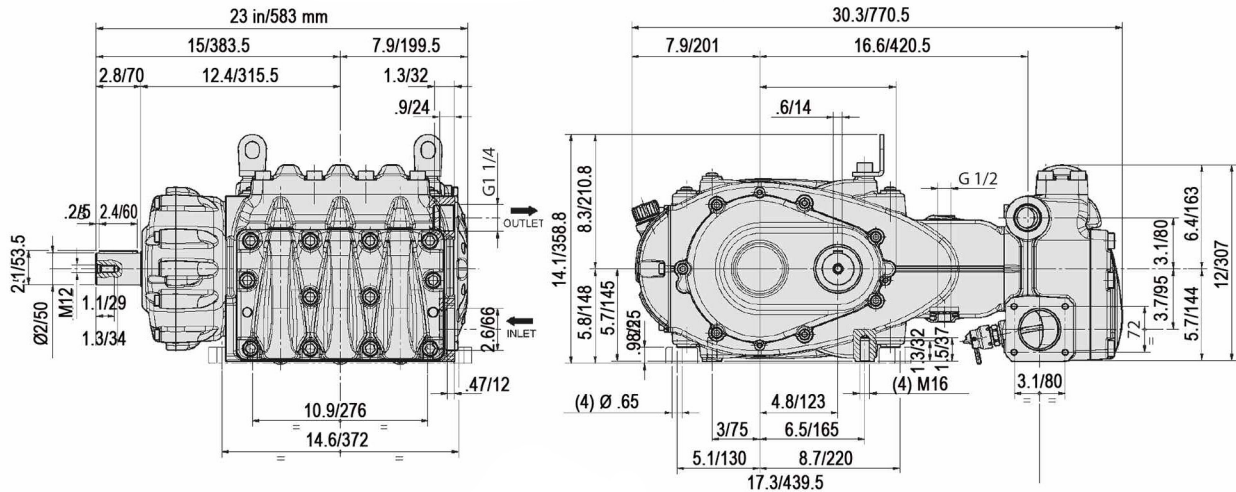
ZRPM1 RPM Counter
Inductive proximity sensor, c/w female connector M12 4 pin, IP67, field attachable, ring nut reduction M18 x 1. Power Supply: 12/24 VDC

MF45/50/55 series

Technical Details



OVERALL DIMENSIONS



Note: Pump Includes the Following:
F1201 - Inlet Blank Flange
F1232 - 2 1/2" NPT-F Inlet Flange
Set of (3) F20030170 Priming/Drain Valves