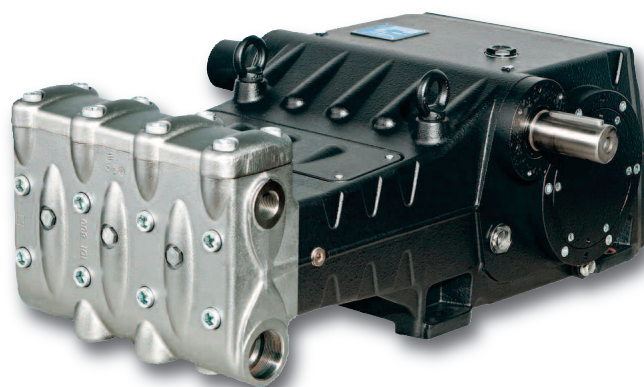


LK36/40/45 Series

FEATURES

- High pressure, Triplex Plunger Pump, available in 6 flows
- Drive shaft with double projection
- Gear ratios: 1500 RPM=2.95:1, 1750 RPM=3.158:1, 1900=3.389:1
- Double pressure packings
- Vertically fitted suction/delivery valves
- Splash lubrication
- Optional drain/priming valve kit



MATERIALS

- Pump body in cast iron
- Manifold made of spheroidal cast iron, nickel treated
- Self-adjusting spherical roller bearings on crankshaft
- Forged steel connecting rods with antifriction bearings
- Crankshaft made of nitrited, hardened and tempered alloy steel
- Cast iron plunger guides, nickel treated
- Solid ceramic plungers
- Valves made in stainless steel and bronze

COMMON SPECIFICATIONS

- Maximum Inlet Pressure: 45 PSI
- Maximum Fluid Temperature: *140° F
- Inlet Port Thread: 2" NPT-F
- Discharge Port Thread: 1" NPT-F
- Shaft Diameter: 1.969"/50 mm
- Stroke: 3.546"/90 mm
- Pump Dimensions: 36.4" x 26.4" x 13.7"
- Crankcase Oil Capacity: 473.5 oz. (14 liters)
..... (use GP Series 220 Oil)
- Shipping Weight: 829 lbs./376 kg

Product Group: V

*Please consult technical guide or GP Sales Representative for Temperature/Inlet Pressure Information.

MODEL	GPM/LPM	PSI/BAR	RPM	BORE	HP
LK3615	37.0 GPM/140 LPM	5800 PSI/400 BAR	1500 RPM	1.417 in./36 mm	145.0
LK3617	40.2 GPM/152 LPM	5800 PSI/400 BAR	1750 RPM	1.417 in./36 mm	158.0
LK4015	45.7 GPM/173 LPM	5075 PSI/350 BAR	1500 RPM	1.575 in./40 mm	157.0
LK4017	49.7 GPM/188 LPM	5075 PSI/350 BAR	1750 RPM	1.575 in./40 mm	171.0
LK4515	57.6 GPM/218 LPM	4060 PSI/280 BAR	1500 RPM	1.772 in./45 mm	159.0
LK4517	62.9 GPM/24.1 LPM	4060 PSI/280 BAR	1750 RPM	1.772 in./45 mm	173.0

Volumes are theoretical at 100% volumetric efficiency.

How to order/Examples of Part Numbers:

Start with Model

RPM (ex.: 15=1500 RPM)

↓
LK40

↓
15

So the Part Number in the Above Example: **LK4015** (Model is LK40, with an RPM of 1500.)

PUMP OPTIONS

- "F" version features flushing option
- "G" version suitable for pumping high-temperature glycols (up to 140°F)
- "N" version available with duplex F51 Stainless Steel manifold and 17-4 SS valves



General Pump
is a member of
The Interpump Group

Ref 300855 Rev B
11-12



ACCESSORIES

REGULATORS

■ R1

18.5-29.0 GPM
2900-8700 PSI



■ R2

61.0 GPM
3050 PSI



■ RV3

53.0-132.0
GPM
3050-4350 PSI



■ PNR2

61.0 GPM
3050 PSI



■ PN3

79.0-132.0 GPM
2350-4350 PSI



GUNS / LANCES

■ ZP87SSL19/39/19S/39S

15.85 GPM
8700 PSI



■ YG7221/L31-YG7221/51

21.0 GPM
7250 PSI



■ YRL56L

8.0 GPM
5650 PSI



Ref 300855 Rev B
11-12

SAFETY DEVICES

■ SV2

50.0 GPM
1450-8700PSI



■ SX2

50.0 GPM
1450-5899 PSI



■ SV3

132.0 GPM
2900-4350 PSI



■ SX3

132.0 GPM
2900-4350 PSI



PULSATION DAMPENERS

■ A7X

16.0 GPM
3050PSI
316 SS



■ A7S

43.0 GPM
2150 PSI



■ A15

105.6 GPM
4750 PSI



■ A15X

105.6 GPM
2150 PSI
316 SS



UNLOADERS

■ RA2

61.0 GPM
3050 PSI



■ RA2L

61.0 GPM
3050 PSI



■ ZKBH3030

29.0 GPM
3050 PSI



■ PN2

61.0 GPM
7250 PSI



MISCELLANEOUS

■ 320001/ 320003

3000/5000 PSI
Pressure
Gauge



■ 190600

Priming Drain
Valve Kit



■ 639273

55.0 GPM
50/297
Mesh/Micron
Filter



■ 190448

Oil Drain Kit

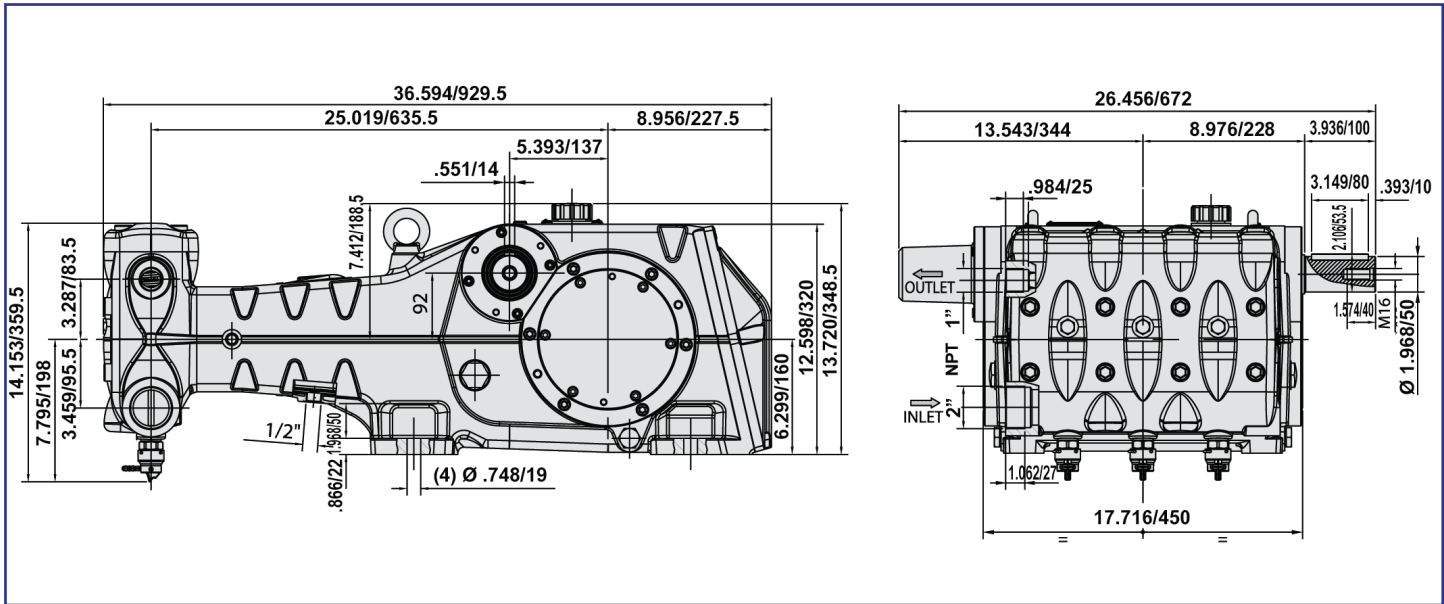


LK36/40/45 series

Technical Details



OVERALL DIMENSIONS



NOTE: Pump Includes (3) F200030170 Priming/Drain Valves