

16 mm bore / 16 mm stroke

FEATURES

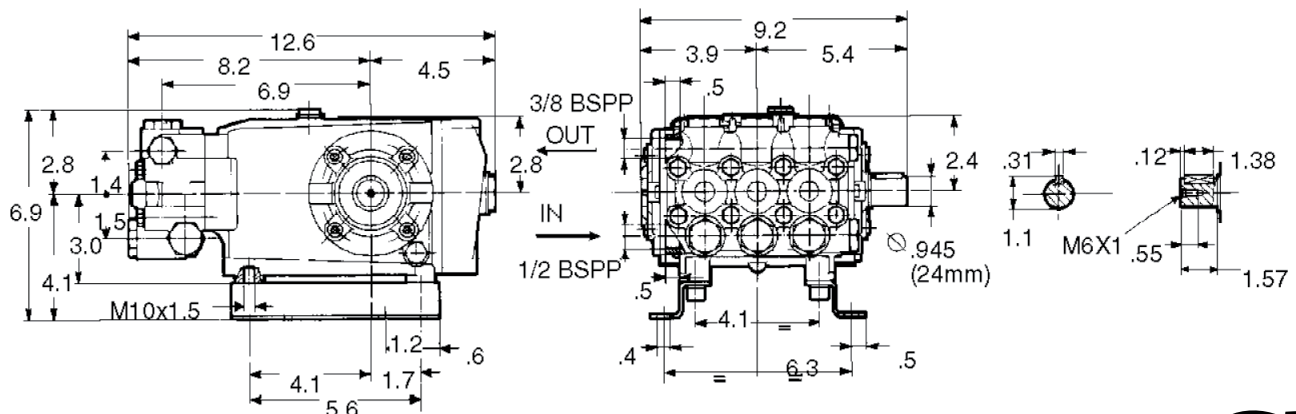
- The preferred pump frame in the pressure cleaning industry
- Nickel plated forged brass manifold
- Large-capacity, die-cast, anodized aluminum oil-bath crankcase
- Over-sized connecting rods for maximum life
- Heavy-duty tapered roller bearing
- Solid ceramic plungers with continuously lubricated packings
- Unitized stainless steel inlet and discharge valves
- Available in left-handed "L" version



SPECIFICATIONS

Pump Model	T9281
Maximum Volume	4.0 GPM
Maximum Discharge Pressure	4000 PSI
Maximum Pump Speed	1750 RPM
Maximum Inlet Pressure	125 PSI
Maximum Inlet Vacuum	9 ft. water (7.9 in. Hg)
Plunger Bore	.630 in. / 16 mm
Plunger Stroke	.630 in. / 16 mm
Crankcase Oil Capacity	37.2 oz.
Maximum Fluid Temperature	165° F
Inlet Port Thread	1/2-14 BSPP-F
Discharge Port Thread	3/8-19 BSPP-F
Shaft Diameter	.945 in. / 24 mm
Weight	33 lbs.
Dimensions	12.6" x 9.2" x 6.9"

DIMENSIONAL DRAWING



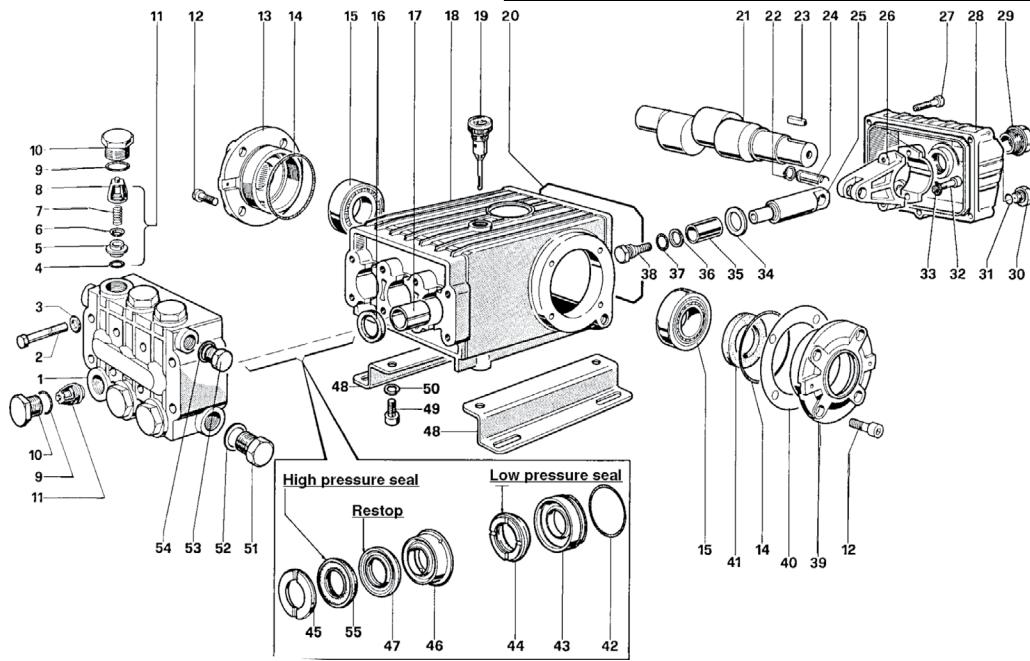
TRIPLEX

TRIPLEX

T Series 47S-16mm x 16 mm

GENERAL PUMP

A member of the Interpump Group



PARTS LIST

ITEM	PART NO.	DESCRIPTION	KIT NO.	QTY.	ITEM	PART NO.	DESCRIPTION	KIT NO.	QTY.	ITEM	PART NO.	DESCRIPTION	KIT NO.	QTY.
1.	47121441	Manifold		1	20.	90392200	O-ring, Cover		1	39.	47150022	Cover, Crankcase		1
2.	99320600	Screw, M8 x 70		8	21.	47021735	Crankshaft, USA		1	40.	97567800	Shim		2
3.	203476	Washer, M8.4		8	22.	90055700	Ring, Snap		6	41.	90164800	Seal, Oil	3	1
4.	701115	O-ring, .674 x .10	1	6	23.	640048	Key		1	42.	90361600	O-ring, 1.364x.070	111,112	3
5.	36200366	Seat, Valve		6	24.	97738000	Pin, Wrist		3	43.	47080870	Retainer, Packing	111, 112	3
6.	36200176	Plate, Valve		6	25.	47050666	Guide, Plunger		3	44.	90264400	Seal, LP, 16mm	109, 112	3
7.	94737600	Spring		6	26.	47030001	Connecting Rod		3	45.	47100351	Ring, Head	108,112	3
8.	36200251	Guide, Valve		6	27.	99191200	Screw, M6x30		5	46.	47217270	Intermed. Ring	110,112	3
9.	701002	O-ring, .797x.103	106	6	28.	47160122	Cover, Crankcase		1	47.	90264300	Restop Ring	109,112	3
10.	98222400	Cap	106	6	29.	97596800	Oil Indicator		1	48.	47200074	Pump Feet		2
11.	36703201	Valve Assembly	1	6	30.	98204100	Cap		1	49.	99364400	Screw, M10 x 18		4
12.	99303900	Screw, M8 x 16		8	31.	701013	O-ring, .426x.070		1	50.	96710600	Washer, M10.2		4
13.	47150122	Cover, Crankcase		1	32.	99309900	Screw, M8 x 35		6	51.	98217600	Cap		1
14.	701147	O-ring, 2.675x.103	2	3	33.	96701400	Washer, M8.4		6	52.	96751400	Washer, M21.5		1
15.	640047	Bearing, Roller		2	34.	47211747	Ring		3	53.	98210000	Cap		1
16.	90162500	Seal, Oil	2	3	35.	47040856	Plunger, 16 mm		3	54.	96738000	Washer, M17.5		1
17.	90912600	Bushing		3	36.	90503300	Anti-ext. Ring	107	3	55.	90264200	High Pressure Seal	109,112	3
18.	47010622	Crankcase		1	37.	90357700	O-ring	107	3					
19.	98210600	Oil Dip Stick		1	38.	47219666	Screw, Plunger	107	3					

REPAIR KITS

KIT NO.	1	2	3	106	107	108	109	110	111	112
ITEM NO's INCLUDED IN KIT	4,5,6 7,8 (11)	16	41	9, 10	36, 37, 38	45	44, 47, 55	463	42, 43	42, 43, 44, 45, 46, 47, 55
NUMBER OF ASSEMBLIES IN KIT	6	3	2	6	6	3	6	3	1	1
NUMBER OF CYLINDERS KIT WILL SERVICE	3	3	-	3	3	3	3	3	3	1

TORQUE SPECS*

Pos.	Ft/lb	N-M
2	22.1	30
10	95.9	130
12	14.7	20
27	7.3	10
29	8.8	12
30	14.7	20
32	14.7	20
38	14.7	20
49	29.4	40
51	29.4	40
53	29.4	40

* Decrease torque by 20% if threads are lubricated

WARNING: High Pressure Systems require a primary pressure regulating device (i.e. regulator, unloader) and a secondary pressure relief device (i.e. pop-off valve, relief valve). Failure to install such relief devices properly could result in personal injury or damage to pump or property. GP does not assume any liability or responsibility for the operation of the user's high pressure system.



WARNING: This product can expose you to chemicals including lead, which is known to the state of California to cause cancer and birth defects or other reproductive harm. For more information, go to www.P65Warnings.ca.gov

