

FEATURES

- Quick change nozzle design
- Robust stainless steel construction
- Durable, cost-effective design
- Higher-impact design offers superior cleaning



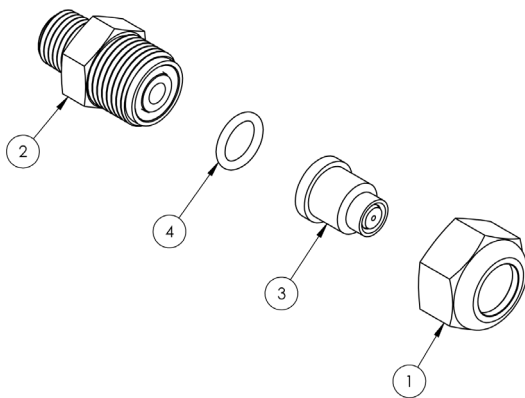
AVAILABLE SIZES

ASSEMBLY P/N	SPRAY ANGLE	NOZZLE SIZE	INSERT P/N (ITEM 3)
900020UN	0 DEG	#2.0	900020EG
915020UN	15 DEG	#2.0	915020EG
925020UN	25 DEG	#2.0	925020EG
940020UN	40 DEG	#2.0	940020EG
900025UN	0 DEG	#2.5	900025EG
915025UN	15 DEG	#2.5	915025EG
925025UN	25 DEG	#2.5	925025EG
940025UN	40 DEG	#2.5	940025EG
900030UN	0 DEG	#3.0	900030EG
915030UN	15 DEG	#3.0	915030EG
925030UN	25 DEG	#3.0	925030EG
940030UN	40 DEG	#3.0	940030EG

SPECIFICATIONS

Part Number	See Chart to Left
Max Volume	10.0 GPM
Rated Pressure	5,000 PSI
Max Temperature	250° F
Inlet Port Size	1/4" NPT-M
Dimensions	1.95 x .875"
Weight	0.19 lbs.
Materials	Stainless Steel, Viton

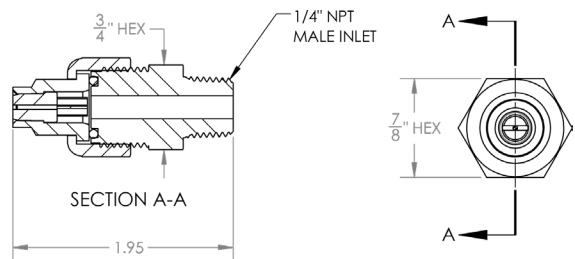
PARTS LIST



No.	Part No.	Description	Qty.
1*	520442	RETAINER NUT	1
2	520443	INLET FITTING	1
3	SEE TABLE	NOZZLE HOLDER	1
4	701146	O-RING, 2MM CS x 10MM ID	1

*Torque item 1 to 20-24 ft. lbs.

DIMENSIONS



General Pump
is a member of
the Interpump Group



Ref 301122 Rev A
05-22

