

GP BLASTER

Straight Flow Nozzle

FEATURES

- Cleans surfaces from longer distances
- Robust stainless steel construction
- Durable, cost-effective design
- Higher-impact design offers superior cleaning



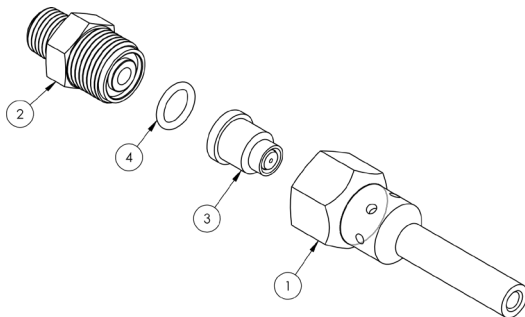
AVAILABLE SIZES

ASSEMBLY P/N	NOZZLE SIZE	INSERT P/N (ITEM 3)
900020SF	#2.0	900020EG
900025SF	#2.5	900025EG
900030SF	#3.0	900030EG
900035SF	#3.5	900035EG
900040SF	#4.0	900040EG
900045SF	#4.5	900045EG
900050SF	#5.0	900050EG
900055SF	#5.5	900055EG
900060SF	#6.0	900060EG
900065SF	#6.5	900065EG
900070SF	#7.0	900070EG
900075SF	#7.5	900075EG
900080SF	#8.0	900080EG
900085SF	#8.5	900085EG
900090SF	#9.0	900090EG
900100SF	#10.0	900100EG

SPECIFICATIONS

Part Number	See Chart to Left
Max Volume	10.0 GPM
Rated Pressure	5,000 PSI
Max Temperature	250° F
Inlet Port Size	1/4" NPT-M
Dimensions	3.8" x .875"
Weight	0.3 lbs.
Materials	Stainless Steel, Viton

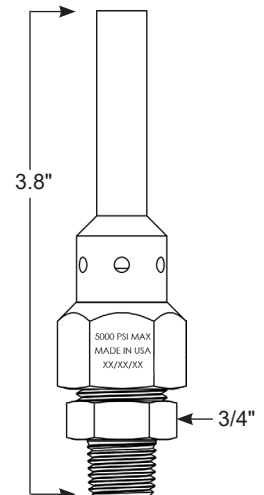
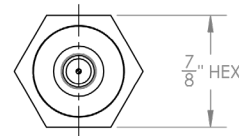
PARTS LIST



No.	Part No.	Description	Qty.
1*	520444	STABILIZER FITTING	1
2	520443	INLET FITTING	1
3	SEE TABLE	NOZZLE HOLDER	1
4	701146	O-RING, 2MM CS x 10MM ID	1

*Torque item 1 to 20-24 ft. lbs.

DIMENSIONS



General Pump
is a member of
the Interpump Group



Ref 301123 Rev A
05-22

