



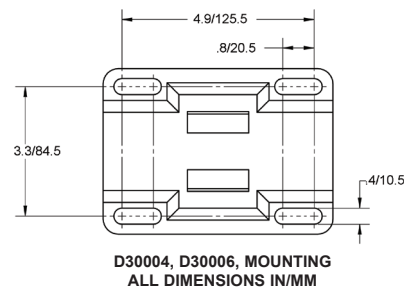
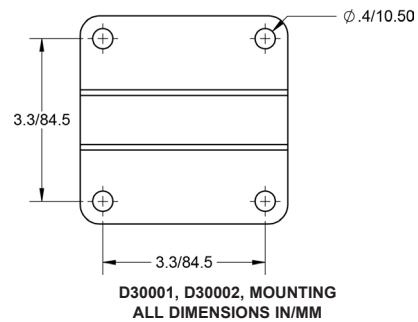
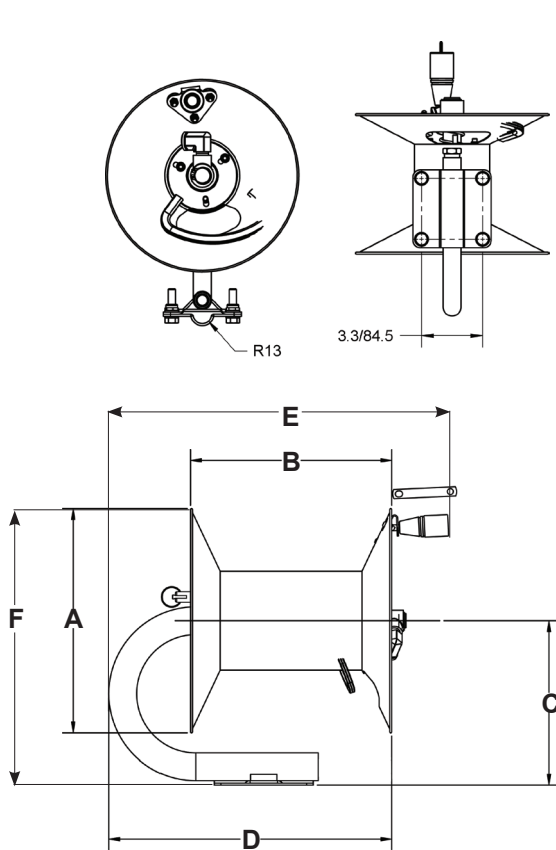
SPECIFICATIONS

PART NUMBER	D30001	D30002	D30004	D30006
3/8" Hose Capacity	50 ft.	100 ft.	150 ft.	200 ft.
Swivel Pressure Rating	4000 PSI			
Inlet	3/8" NPT-F		3/8" NPT-F	
Outlet	3/8" NPT-F			
Max. Temp	225° F			

FEATURES / BENEFITS

- Direct hand-crank rewind with locking pin
- Solid steel construction
- Durable powdercoated finish
- Full flow swivel brass joint

DIMENSIONS (in/mm)



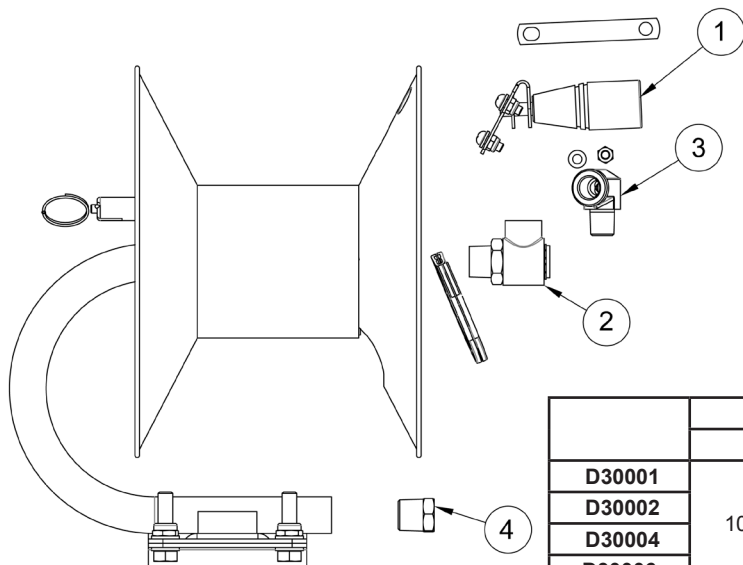
	Dimensions (in/mm)					
	A	B	C	D	E	F
D30001	10.5/267	7.7/195	7.6/192	11.0/281	14.4/365	12.8/326
D30002	10.5/267	12.0/308	7.6/192	15.2/386	18.5/471	12.8/326
D30004	13.4/340	10.1/257	9.5/243	14.4/367	17.1/450	16.2/413
D30006	13.4/340	12.2/311	9.5/243	15.9/403	19.2/486	16.2/413



General Pump
is a member of
the Interpump Group



PARTS LIST



	Item			
	1	2	3	4
D30001				
D30002	100055	2103241	D10116	2510262
D30004				
D30006				
2100278	Repair kit for 2103241			
2100530	Lock pin repair kit			

ASSEMBLY INSTRUCTIONS

1. Connect the handle to the flange. Nuts go on handle side of flange.
2. Use (4) 3/8" or 10 mm bolts when securing the hose reel to ceiling or wall.
3. Use the provided nuts, bolts and mounting bracket when securing hose reel to a cart.
4. Use thread sealant (not provided) on inlet threads and on outlet hose (not provided).
5. The hose reel is ready for operation.

SAFETY PRECAUTIONS

1. Make sure incoming pressure does not exceed the rated pressure.
2. Use proper eye protection when assembling and using the hose reel.
3. Assemble the hose reel on a clean workbench free of debris and moisture.
4. Use soap and water when checking for air leaks.
5. Keep children away from work area.

WARNING!

Exposure of skin directly to pressurized air or fluids could result in severe bodily injury!