

# DHRWM50200

## Hose Reel



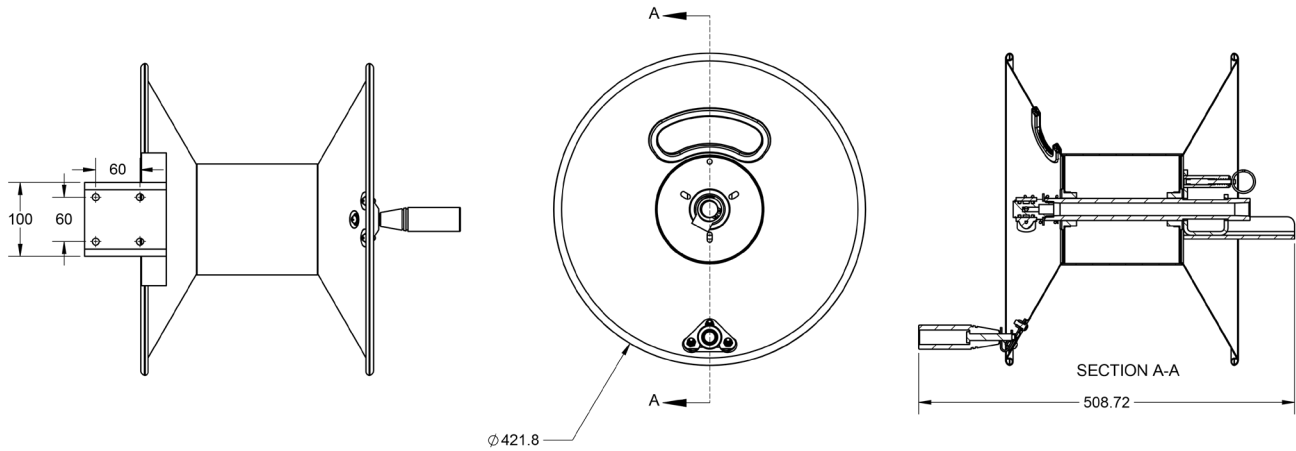
### SPECIFICATIONS

PART NUMBER	DHRWM50200
3/8" Hose Capacity	200 ft.
Swivel Pressure Rating	4,000 PSI
Inlet	1/2" NPT-F
Outlet	3/8" NPT-F
Max. Temp	225° F

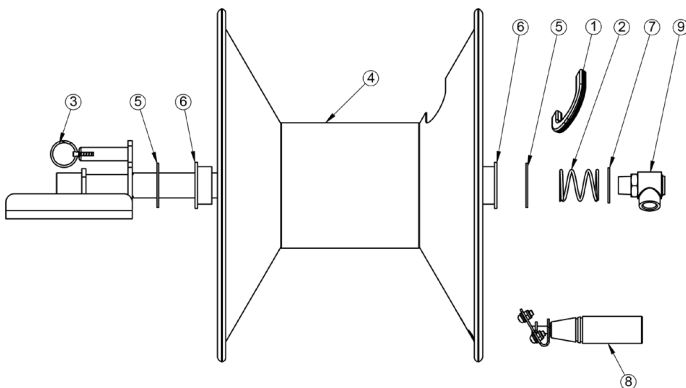
### FEATURES / BENEFITS

- Direct hand-crank rewind with locking pin
- Soild steel construction
- Durable powdercoated finish
- Full flow swivel
- Use kit 2100531 for wall mounting

### DIMENSIONS (in/mm)



### PARTS LIST



### PARTS LIST

Item No.	Part No.	Description	Qty.
1	2660338	GUARD, HOSE	1
2	2720037	SPRING	1
3	2103399	ASSY, SUB, BRACKET/AXLE	1
4	2103307	ASSY, FLANGE	2
5	2203423	WASHER	2
6	2660380	BUSHING	2
7	2203422	WASHER, SWIVEL	1
8	2103308	HANDLE KIT	1
9	2103241	SWIVEL, HOSE REEL	1
	2100278	REPAIR KIT FOR 2103241 SWIVEL	



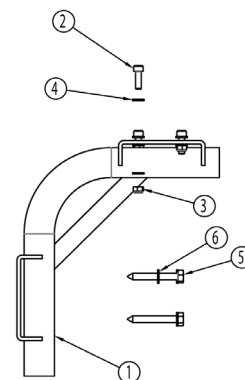
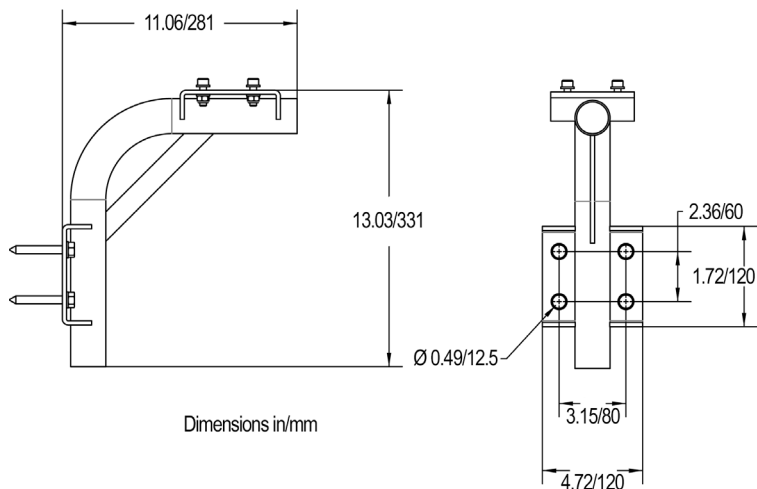
General Pump  
is a member of  
the Interpump Group

Ref 310138 Rev E  
04-22



### AVAILABLE KITS

#### WALL MOUNTING KIT 2100531



#### PARTS LIST

Item No.	Part No.	Description	Qty.
1	2550225	BRACKET, WALL MOUNT	1
2	2200054	SHCS	4
3	2200053	NUT, M8x1.25	4
4	2200013	WASHER, M8, SS	8
5	2200078	BOLT, LAG	4
6	2200008	WASHER, FLAT, M10	4

### ASSEMBLY INSTRUCTIONS

1. Connect the handle to the flange. Nuts go on handle side of flange.
2. Use (4) 5/16" or 8 mm bolts when securing the hose reel to cart or wall.
3. Use thread sealant (not provided) on inlet threads and on outlet hose (not provided).
4. Attach hose from pressure pump outlet to hose reel inlet.
5. Attach hose reel hose to swivel on hose reel
6. The hose reel is ready for operation.

### SAFETY PRECAUTIONS

1. Make sure incoming pressure does not exceed the rated pressure.
2. Use proper eye protection when assembling and using the hose reel.
3. Assemble the hose reel on a clean workbench free of debris and moisture.
4. Use soap and water when checking for air leaks.
5. Keep children away from work area.

#### **WARNING!**

*Exposure of skin directly to pressurized air or fluids could result in severe bodily injury!*