

**GENERAL PUMP** *A member of the Interpump Group*

# Chemical Injector

## 1/4" Hose Barb

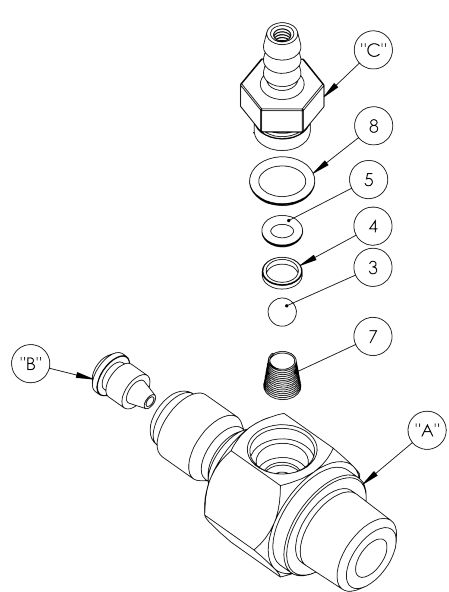
- Designed specifically for typical car Wash Chemicals
- Standard 3/8" Quick Connect (Male) Inlet for easy Install and Servicing
- Single Barb Configuration
- Full Kynar Hose Barb for superior resistance to concentrated chemical
- PTFE Check Ball, Hastelloy Spring, EPDM Seals
- 100% Made in the USA!



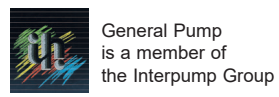
**SPECIFICATIONS**

MODEL	101037	101018	101021	101024	101027	101030	101073	101033	101108	101107
Repair Kit	K325DG	K325LG	K325BL	K325GY	K325OR	K325RD	K325WT	K325WT	K325WT	K325WT
Orifice (mm)	3.18	2.5	2.2	2.1	1.8	1.45	1.3	1.04	0.94	0.74
Style	FIXED									
Operating Pressure	500 PSI									
Flow Range (GPM)	5 - 8	5 - 8	2 - 3	2 - 3	2 - 3	1 - 2	1 - 2	1 - 2	0 - 1	0 - 1
Max. Temperature	190° F									
Port Sizes	Inlet: 3/8" M Plug									
	Discharge: 3/8" NPT-M									
	Chemical Port: 1/4" Hose Barb									
Weight	.4 lbs.									
Materials	316 Stainless Steel, Kynar, PTFE, Hastelloy, EPDM									

**PARTS LIST**



ITEM NO.	PART NO.	DESCRIPTION	QTY
A	"ITEM A"	BODY, INJ., 3/8" QD X MPT, SEE TABLE	1
B	"ITEM B"	NOZZLE, INJECTOR, 316SS, SEE TABLE	1
3	660114	BALL, 7/32, PTFE	1
4	660110	RETAINING RING, INJECTOR	1
5	701008E	O-RING, KYNAR	1
		O-RING, 70 DURO, EPDM, .176ID X .070 CS	1
C	"ITEM C"	KYNAR HOSE BARB, SEE TABLE	1
7	720038	SPRING, CONICAL, .437 FL, HASTELLOY	1
8	701012E	O-RING, 70 DURO, EPDM, .364 ID X .070 CS	1
9	800041	THREAD SEALANT, RED, 10K PSI	A/R
10	800004	PRIMER, ANAEROBIC THD SEALANT	A/R



Ref 301111 Rev. A  
01-22



# Chemical Injector

Stainless Steel, 1/4" Hose Barb

**GENERAL PUMP** *A member of the Interpump Group*

Part Number	"ITEM A" P/N	BODY HOLE DIA.	"ITEM B" NOZZLE P/N	HOSE BARB COLOR	"ITEM C" HOSE BARB P/N	NOZZLE DIA.
101037	520335	0.150	520373	DK GREEN	660259DG	0.125
101018	520335	0.150	520073	LT GREEN	660259LG	0.098
101021	520332	0.116	520065	BLUE	660259BL	0.086
101024	520332	0.116	520066	GREY	660259GY	0.083
101027	520332	0.116	520325	ORANGE	660259OR	0.070
101030	520329	0.076	520072	RED	660259RD	0.057
101073	520329	0.076	520363	WHITE	660259WT	0.051
101033	520329	0.076	520361	WHITE	660259WT	0.041
101108	520329	0.076	520323	WHITE	660259WT	0.037
101107	520329	0.076	520414	WHITE	660259WT	0.029

## INSTALLATION

This product is to be used with clean, fresh water. For different or corrosive liquids, contact GP Technical Service Department. With not clean liquids, appropriate filtration should be installed. Select the injector based on the nominal operating rating: system rated pressure, max flow and max temperature. Install valve with direction arrow pointing downstream. For proper operation a control device such as a dual lance wand, quick couple nozzles, or an adjustable nozzle holder must be used to lower the system pressure at the nozzle.

Under no circumstances should the pressure of the system exceed the maximum rated pressure of any component.

## TROUBLESHOOTING

PROBLEM	CAUSE	SOLUTION
Injector will not draw liquid	Incorrect nozzle System is not in low pressure mode  Discharge hose is too long  Chemical line is clogged	Check and change nozzle Change or adjust nozzle to put system in low pressure mode Reduce length of discharge hose or change injector* Clear chemical line of obstruction
Rate of draw seems too slow	Discharge hose is too long  Air leak in chemical line Chemical is too viscous	Reduce length of discharge hose or change injector* Locate and repair leak Reduce chemical with water to decrease its viscosity
Chemical injector is leaking from hose barb	Obstruction in hose barb checkvalve  Damaged o-ring in checkvalve	Disassemble and remove obstruction  Remove and replace o-ring
Excessive pressure load on pump, motor or engine	Clogged injector Improperly sized injector orifice	Clear injector orifice of obstruction Change orifice*

\*Contact GP Technical Service for Assistance