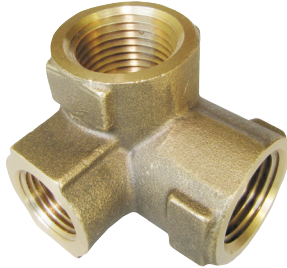


D10117 - D10118 - D10119 - D10127

Mounting blocks provide flexibility to mount additional accessories to your system.



D10117



D10118



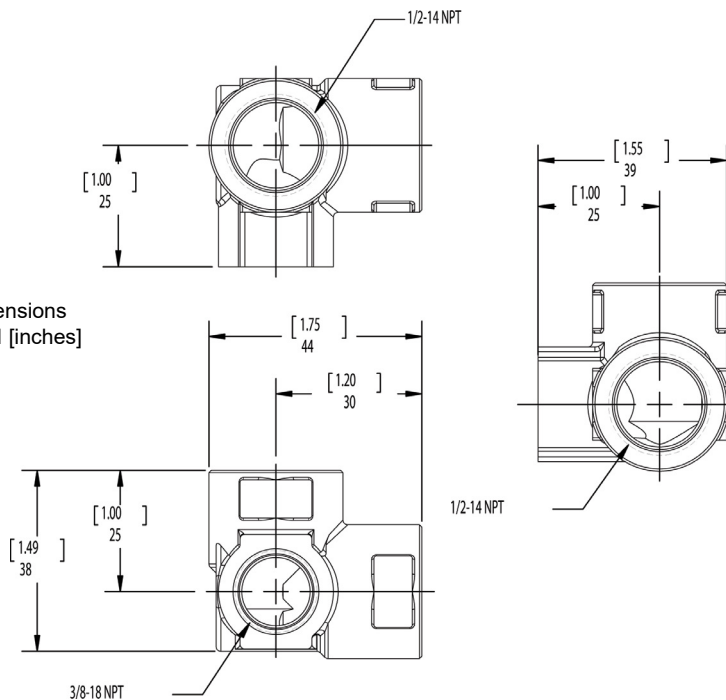
D10119



D10127

Part Number	Description	Material
D10117	3 way, 1/2" NPT-F x 1/2" NPT-F x 3/8" NPT-F, 4,000 PSI	Brass
D10118	2 way, 3/8" NPT-F x 3/8" NPT-F, bolt-down, 5,500 PSI	Steel, with YZD Finish
D10119	3 way, 3/8" NPT-F, bolt-down, 4,000 PSI	Brass
D10127	2 way, 1/2" NPT-F x 1/2" NPT-F, bolt-Down, 6,500 PSI	Steel, with YZD Finish

D10117 DIMENSIONS

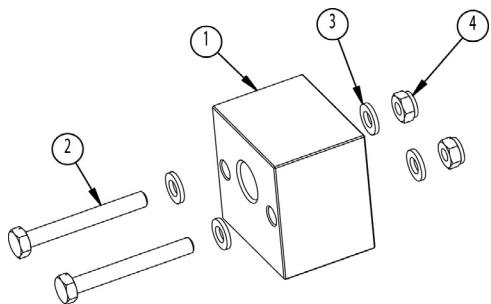
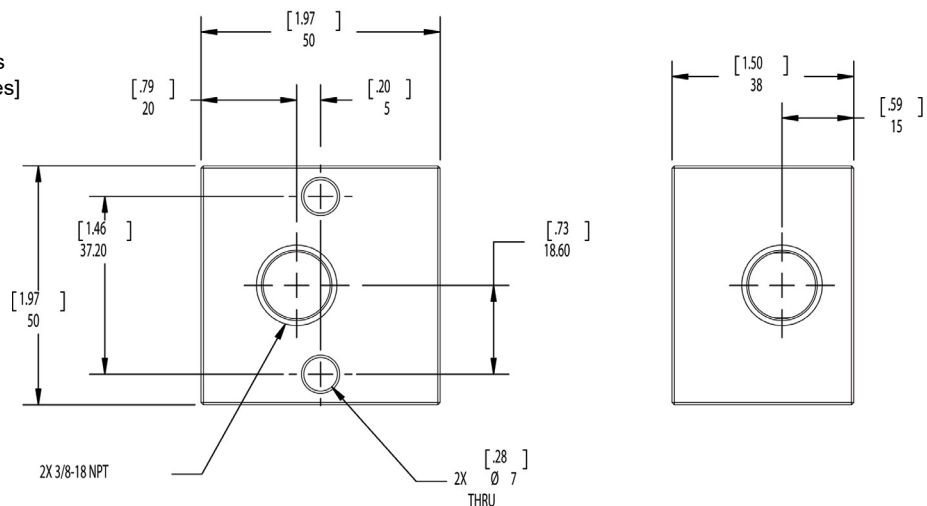


General Pump is a member of the Interpump Group



D10118 DIMENSIONS

Note: dimensions in mm and [inches]

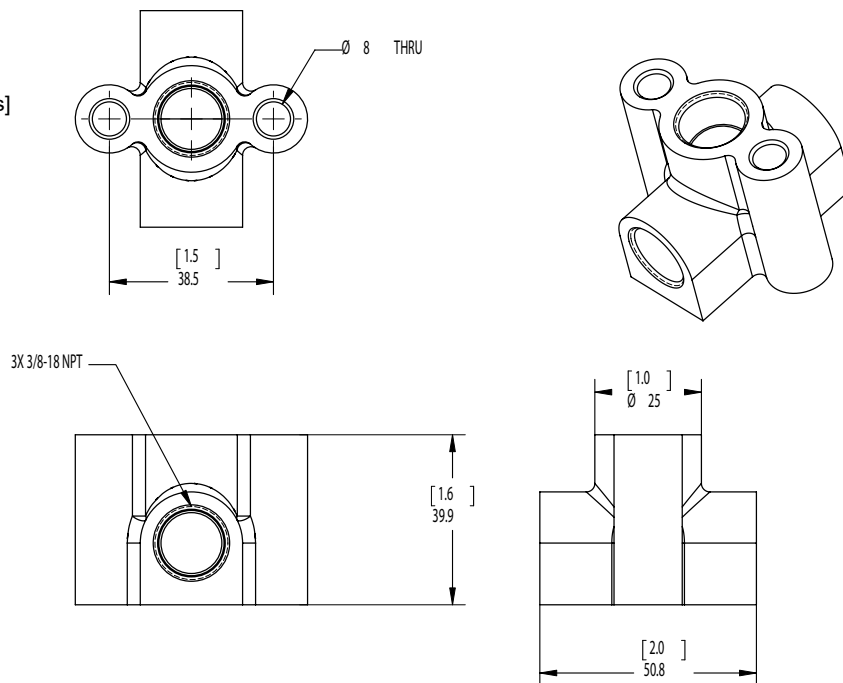


PARTS LIST - D10118

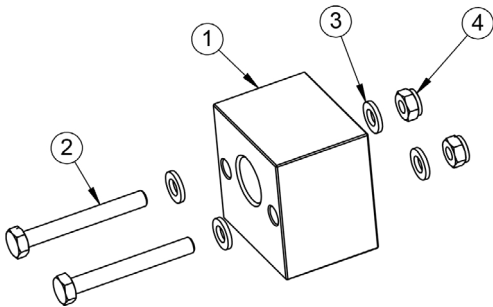
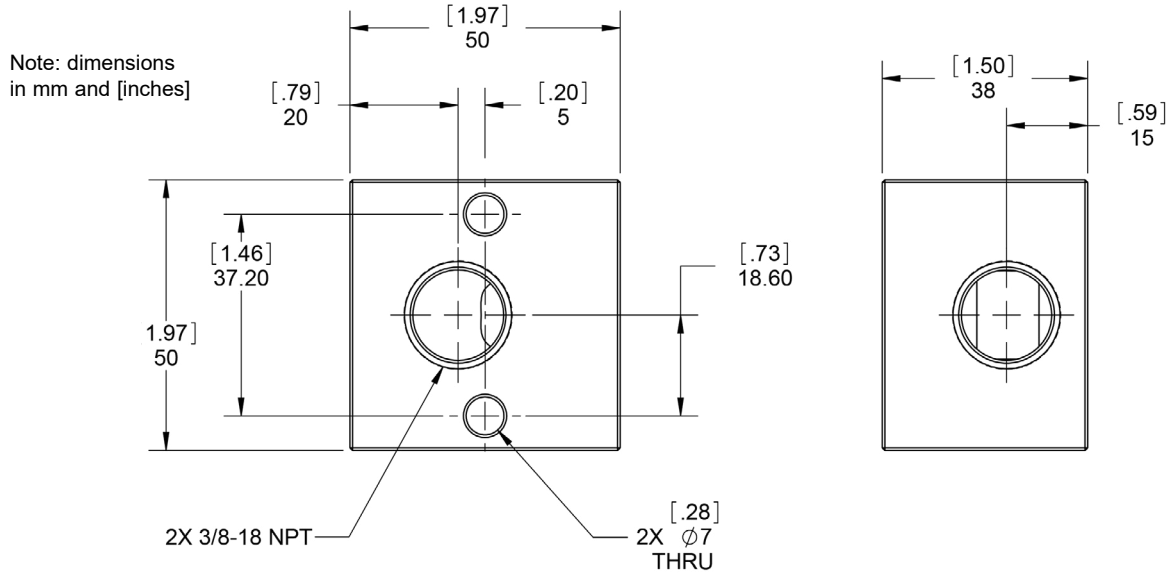
Pos. #	Part #	Description	Qty.
1	2530077	BLOCK, MOUNTING	1
2	2200072	HHCS, M6	2
3	2203410	WASHER, M6	4
4	2203002	NUT, M6, NYLOK	2

D10119 DIMENSIONS

Note: dimensions in mm and [inches]



D10127DIMENSIONS



PARTS LIST - D10127

Pos. #	Part #	Description	Qty.
1	2530131	BLOCK, MOUNTING	1
2	2200072	HHCS, M6	2
3	2203410	WASHER, M6	4
4	2203002	NUT, M6, NYLOK	2