

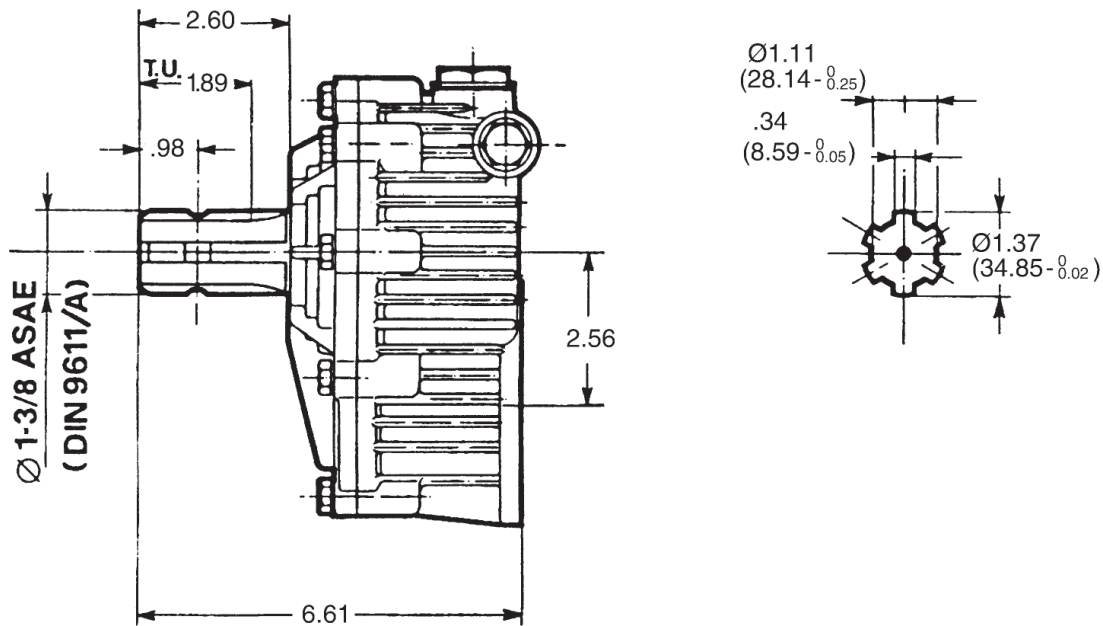
SPECIFICATIONS

Part Number:	ZGRPTO
Maximum BHP	10.0
Maximum Input RPM	550
Multiplier Ratio	1:1.9
Output Shaft Diameter	1.375"
Oil Capacity (90W hypoid gear lube)	8.8 oz.
Weight	9.5 lbs.
Fits General Pump Models	T811, T821, T921, T1001, T1011, T1021, T1311, T1321, T1511, T1621, T2011

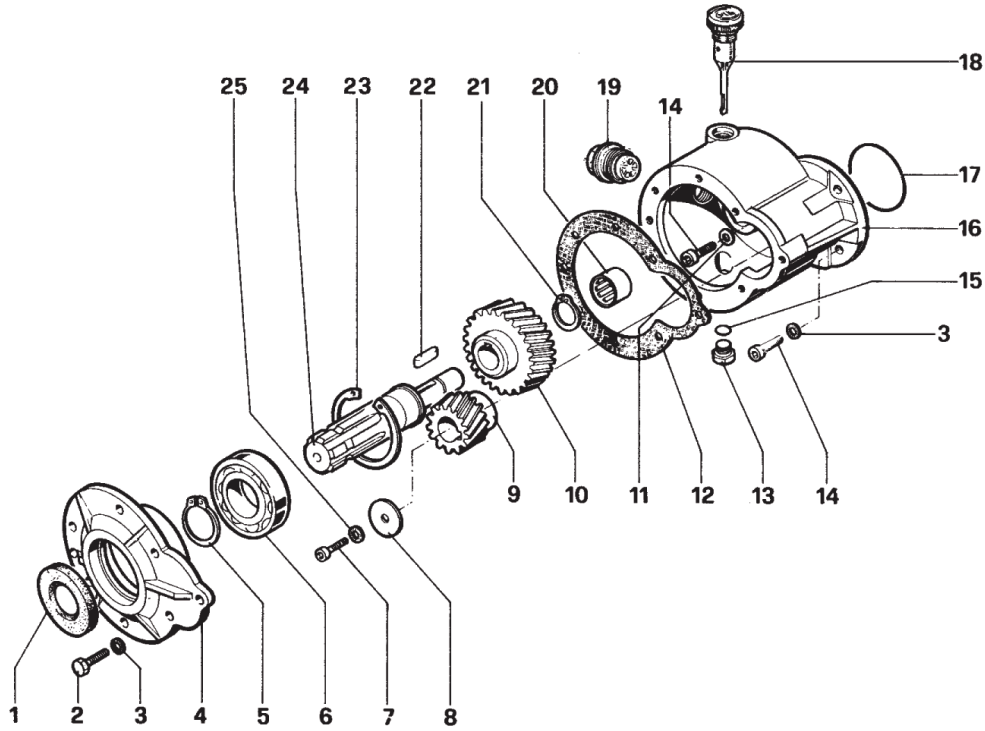
FEATURES

- Fits all standard American tractor engines with 540 RPM power takeoff, 1-3/8" spline shaft
- Handles pumps requiring up to 10 BHP
- Self-contained lubrication system. Uses 90W gear lube for quiet, long life operation
- Large, helical cut, hardened steel gears for quiet, long life operation.
- Reversible mounting for right or left hand drive gas engines. Includes reversible dipstick and oil level sight glass.

DIMENSIONS



PARTS LIST



NO.	PART #	DESCRIPTION	QTY.	NO.	PART #	DESCRIPTION	QTY.
1.	90167200	Oil Seal	1	14.	99308500	Screw	4
2.	99306700	Screw	8	15.	90383300	Ring	1
3.	96701400	Washer	10	16.	10021922	Crankcase	1
4.	10022022	Cover	1	17.	90389800	O-ring	1
5.	90069500	Retaining Ring	1	18.	98210300	Oil Dip Stick	1
6.	91847000	Ball Bearing	1	19.	97596800	Oil Level Indicator	1
7.	99189700	Screw	1	20.	91831000	Cover	1
8.	96695300	Washer	1	21.	90063500	Retaining Ring	1
9.	10022155	Pinion Gear	1	22.	91487800	Key	1
10.	10022255	Rear Gear	1	23.	90091800	Retaining Ring	1
11.	10022484	Gasket	2	24.	10022355	Crankshaft	1
12.	10022484	Gasket	1	25.	96693800	Washer	1
13.	98210000	Cap	1				