

**SPECIFICATIONS****Part Number\*** **ZOMULTIREG99\***

\*Nozzle size must be specified when ordering.

Maximum Volume Up to 5.5 GPM

Maximum Pressure 3,600 PSI

Maximum Temperature 140°F

Inlet Port 1/4-19 BSP-F

Dimensions Ø 1.2" O.D. x 3.9" L

Weight .5 lb.

Materials Brass, Stainless Steel  
Buna-N, Plastic**NOZZLE CHART**

Nozzle No.	Color	Code #	Ø mm	Ø in.	500 PSI	1000 PSI	1500 PSI	2000 PSI	2500 PSI	3000 PSI	3500 PSI
98661500	Orange	130	1.13	0.044	1.28	1.80	2.21	2.55	2.85	3.12	3.45
98663200	Dk. Blue	135	1.17	0.046	1.37	1.94	2.38	2.75	3.07	3.36	3.74
98667400	Red	140	1.25	0.049	1.52	2.15	2.63	3.04	3.40	3.73	4.21
98669000	Yellow	145	1.30	0.051	1.62	2.29	2.80	3.24	3.62	3.97	4.52
98672500	Lt. Blue	150	1.33	0.052	1.72	2.43	2.97	3.43	3.84	4.21	4.68
98675600	White	155	1.38	0.054	1.86	2.64	3.23	3.73	4.17	4.57	5.14
98678000	Black	160	1.44	0.057	2.06	2.91	3.57	4.12	4.61	5.05	5.47
98682000	Purple	165	1.48	0.058	2.18	3.09	3.78	4.37	4.88	5.35	5.93
98691500	Brown	170	1.57	0.062	2.35	3.33	4.08	4.71	5.27	6.06	6.55
98693500	Neutral	175	1.62	0.064	2.43	3.43	4.21	4.86	5.43	6.76	7.25
98696300	Green	180	1.70	0.067	2.65	3.75	4.59	5.30	6.54	7.10	7.62

**GALLONS PER MINUTE****WARRANTY**

General Pump accessories are warranted by the manufacturer to be free from defects in material and workmanship. Period of warranty shall be 90 days from the date product is received by the original buyer. Liability of manufacturer under the foregoing warranty is limited to **repair** or **replacement** at the option of manufacturer of that product which according to the manufacturer's investigation was deemed defective at time of shipment. Damage resulting from neglect, abuse, tampering or misapplication voids this warranty. This warranty is in lieu of all other warranties, expressed or implied, including any warranty of merchantability and/or any and all other obligations or liabilities on the part of the manufacturer.

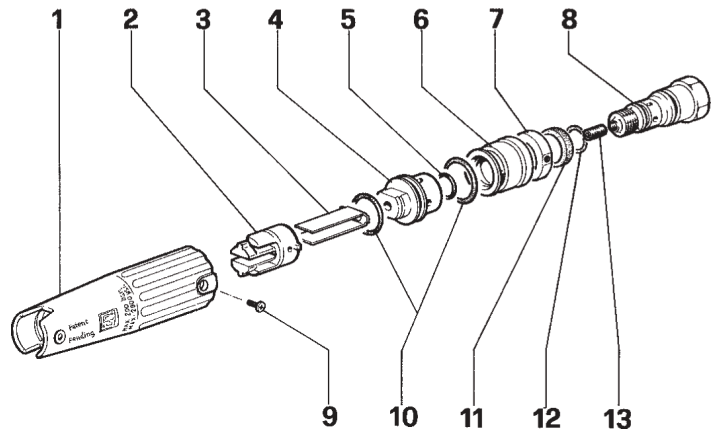
# ZOMULTIREG99

**GENERAL PUMP** *A member of the Interpump Group*

## Adjustable Nozzle

### PARTS LIST

Item	Part No.	Description	Qty
1	10048351	Knob, Regulating	1
2	10029951	Holder, Blade	1
3	10030476	Blade	1
4	10048670	Base, Blade	1
5	90381900	O-ring, .359x.103	1
6	10048570	Cylinder	1
7	10049670	Ring	1
8	10048470	Inlet	1
9	99070200	Screw, M3x4	2
10	90384500	O-ring, .737x.103	2
11	90268000	Seal	1
12	90382700	O-ring, .469x.103	1
13	See Nozzle Chart	Nozzle	1



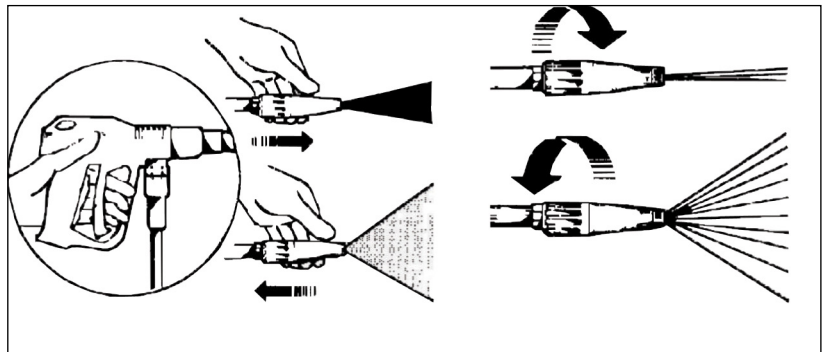
### INSTRUCTIONS FOR USE

The MULTIREG99 has two important and different functions: high or low pressure and straight or fan water jet.

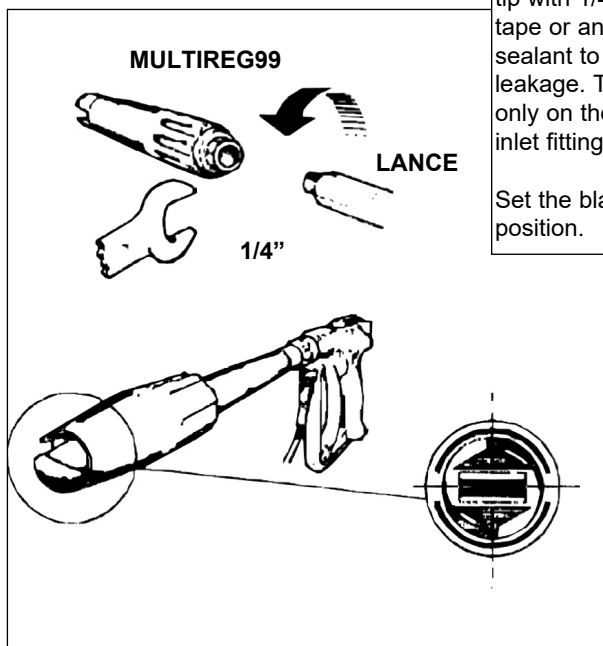
Selection of high or low pressure is by push-pull action. The selection of the pressure must be carried out with the gun in closed position (trigger released).

High pressure - nozzle pushed forward  
Low pressure - nozzle pushed back

Adjustment from straight to fan water jet is done simply by turning the MULTIREG99 nozzle.



### INSTALLATION



Fit the MULTIREG99 on lance tip with 1/4" threads. Use Teflon tape or an anaerobic thread sealant to reduce the risk of leakage. Tighten using a wrench only on the brass flats on the inlet fitting of the Multireg.

Set the blades in a horizontal position.

#### CLEANING AND CHANGING

Set Multireg in low-pressure position.

Remove nozzle by unscrewing with hex key.

Clean nozzle by blowing with air. If worn, replace.

