

**GENERAL PUMP** *A member of the Interpump Group*

# YLS Foamers

*Foamer with Built-In Injector*

**FEATURES**

- Comfortable Impact Resistant Housing
- Forged Brass Body with Stainless Steel Diffuser
- Adjustable Injector
- Available With or Without Tank (YLS12/YLS12T)



YLS12



YLS12T w/Tank



YLS31T

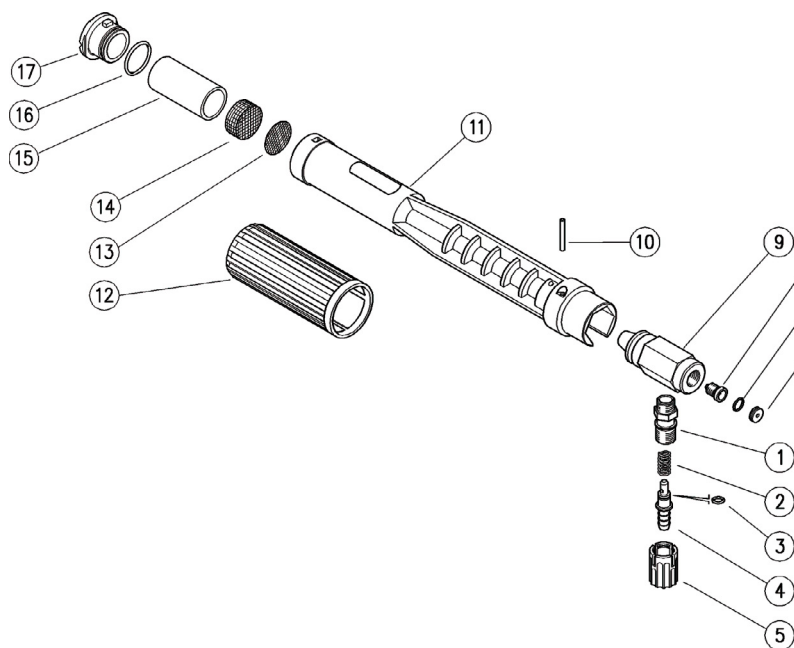
**SPECIFICATIONS**

| Part Number                | YLS12                                  | YLS12T           | YLS31T              |
|----------------------------|--|------------------|---------------------|
| Maximum Volume             | 6.5 GPM                                |                  | 3.2 GPM             |
| Maximum Discharge Pressure | 3200 PSI                               |                  | 2600 PSI            |
| Maximum Fluid Temperature  | 140 °F                                 |                  |                     |
| Inlet Port Thread          | G 1/4-F                                |                  | 1/4"                |
| Tank Capacity              | n/a                                    | 1 Liter          |                     |
| Injector Size              | n/a                                    | 1.5 mm           | 1.25 mm             |
| Weight                     | .8 lbs                                 | 1.25 lbs         | 1.2 lbs             |
| Dimensions                 | 12"x1.6"x3"                            | 12.5"x3.5"x10.5" | 12.9" x 3.3" x 6.7" |
| Materials                  | Stainless Steel, Brass, Viton, Plastic |                  |                     |

**PARTS LIST**



YLS12



| Item | Part Number | Description                 | Qty |
|------|-------------|-----------------------------|-----|
| 1    | Y21017331   | Coupling, M12 x 1-1/4 BSP-M | 1   |
| 2    | Y21015851   | Spring                      | 1   |
| 3    | Y10304301   | O-ring, 1.78 x 4.48mm       | 1   |
| 4    | Y21015531   | Hose Barb                   | 1   |
| 5    | Y21017184   | Injector Knob. 1/4 BSP-F    | 1   |
| 6    | Y25008531   | Nozzle Insert               | 1   |
| 7    | Y10300300   | O-ring, 1 x 8 mm            | 1   |
| 8    | Y21000751   | Nozzle, M8 x 1              | 1   |
| 9    | Y25180331   | Injector Housing            | 1   |
| 10   | Y30050931   | Parallel Pin                | 1   |
| 11   | Y25180184   | Lance Housing               | 1   |
| 12   | Y25180584   | Knob                        | 1   |
| 13   | Y29080253   | Diaphragm                   | 1   |
| 14   | Y25180651   | Pressed Strainer            | 1   |
| 15   | Y25183185   | Spacer                      | 1   |
| 16   | Y10307210   | O-ring, 1.78 x 20.35        | 1   |
| 17   | Y25180284   | Front Nozzle                | 1   |



General Pump  
is a member of  
the Interpump Group



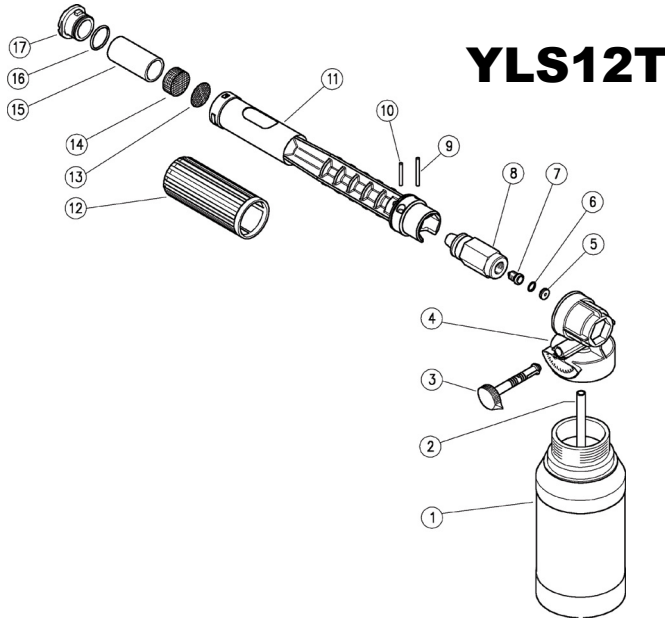


YLS12T



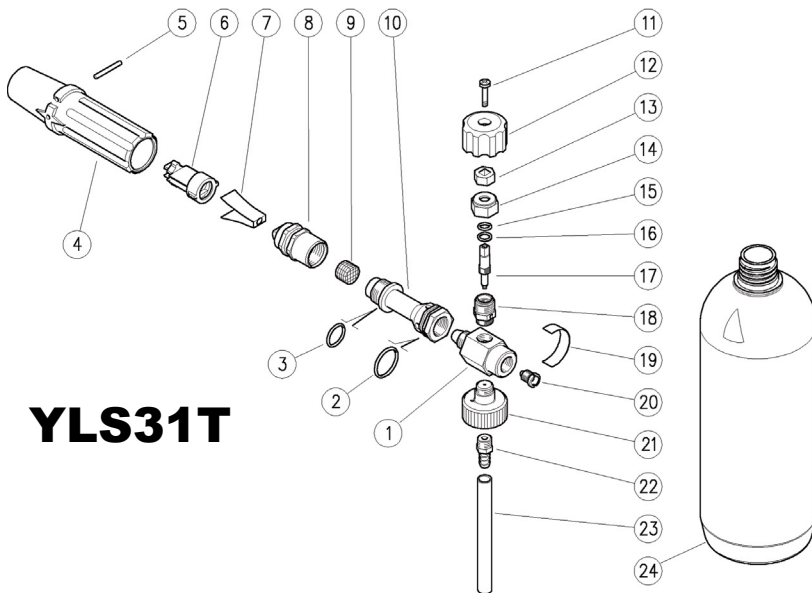
YLS31T

**PARTS LIST**



**YLS12T**

| Item | Part Number | Description             | Qty |
|------|-------------|-------------------------|-----|
| 1    | Y14650600   | Tank (YLS12T)           | 1   |
| 2    | Y29082285   | 170 mm hose (YLS12T)    | 1   |
| 3    | Y25181784   | Detergent Adjusting Pin | 1   |
| 4    | Y25181684   | Tank Holder             | 1   |
| 5    | Y25008531   | Nozzle Insert           | 1   |
| 6    | Y10300300   | O-ring 1 x 8 mm         | 1   |
| 7    | Y21000751   | Sst 1,5 mm nozzle       | 1   |
| 8    | Y25184131   | Injector Housing        | 1   |
| 9    | Y30641631   | Parallel Pin, 5 x 34 mm | 1   |
| 10   | Y30050931   | Parallel Pin, 5 x 24.54 | 1   |
| 11   | Y25180184   | Plastic housing         | 1   |
| 12   | Y25180584   | Knob                    | 1   |
| 13   | Y29080253   | Diaphragm               | 1   |
| 14   | Y25180651   | Strainer pill           | 1   |
| 15   | Y25183185   | Spacer                  | 1   |
| 16   | Y10307210   | O ring 1,78 x 20,35 mm  | 1   |
| 17   | Y25180284   | Front Nozzle            | 1   |



**YLS31T**

| Item | Part Number | Description            | Qty |
|------|-------------|------------------------|-----|
| 1    | Y25150331   | Injector Housing       | 1   |
| 2    | Y10307250   | O-ring, 1.78x21.95     | 1   |
| 3    | Y10306600   | O-ring, 1.78x15.6      | 1   |
| 4    | Y25101884   | Nozzle Knob, Black     | 1   |
| 5    | Y15104100   | Parallel Pin, 3x25, SS | 1   |
| 6    | Y25095284   | Deflector Housing      | 1   |
| 7    | Y25102053   | Deflector, SS          | 1   |
| 8    | Y25152231   | Injector Housing       | 1   |
| 9    | Y25151251   | Pressed Strainer       | 1   |
| 10   | Y25152131   | Front Injector Housing | 1   |
| 11   | Y16184000   | Screw, M4x14           | 1   |
| 12   | Y29093184   | Knob                   | 1   |
| 13   | Y29092431   | Groove Nut, Brass      | 1   |
| 14   | Y29093831   | Ring Nut, M14x1        | 1   |
| 15   | Y10305200   | O ring 1.78 x 6.75 mm  | 1   |
| 16   | Y29094051   | Washer, 7x9.5x0.7      | 1   |
| 17   | Y25150431   | Pin                    | 1   |
| 18   | Y25150231   | Piston Holder          | 1   |
| 19   | Y15380812   | Label                  | 1   |
| 20   | Y21022351   | Nozzle, 1.25 mm        | 1   |
| 21   | Y25150531   | Tank Holder            | 1   |

| Item | Part Number | Description    | Qty |
|------|-------------|----------------|-----|
| 22   | Y29010331   | Nipple, Brass  | 1   |
| 23   | Y16052100   | Hose, 6x9, PVC | 1   |
| 24   | Y14650200   | Tank           | 1   |