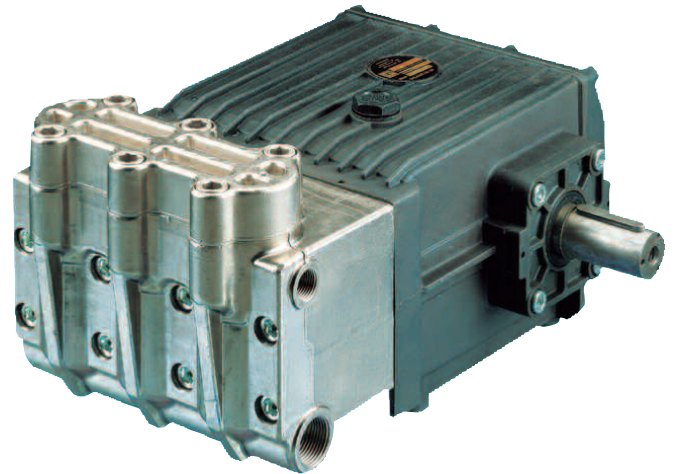


FEATURES

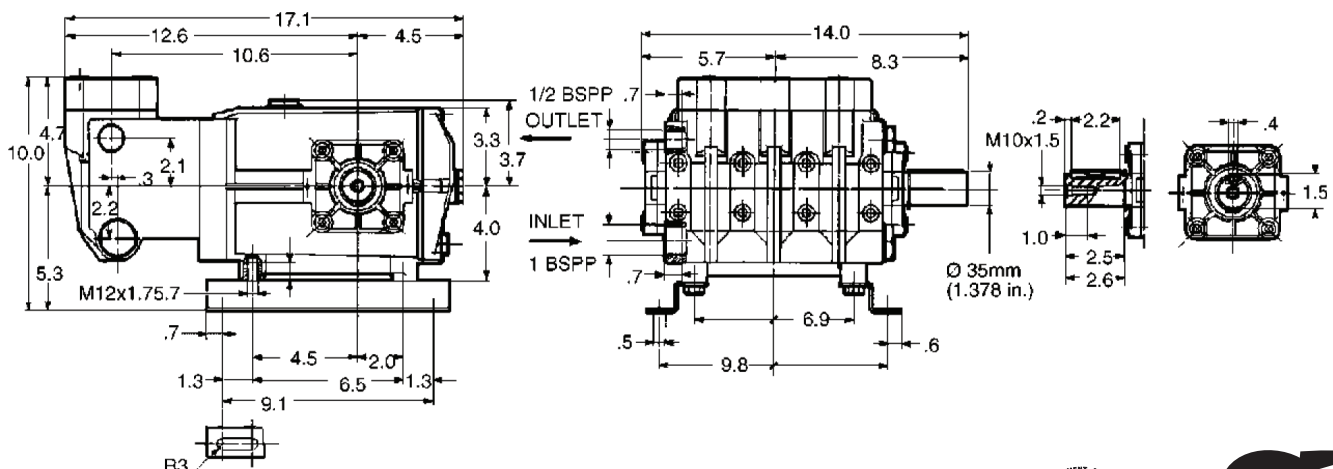
- The industry's choice for high-pressure applications
- Forged brass manifold with an exclusive lifetime warranty
- Large-capacity, die-cast, anodized aluminum oil-bath crankcase
- Oversized connecting rods for maximum life
- Heavy-duty tapered roller bearing
- Solid ceramic plungers with continuously lubricated packings
- Unitized Stainless Steel Inlet and Discharge Valves



SPECIFICATIONS

Pump Model	T4251
Maximum Volume	6.6 GPM
Maximum Discharge Pressure	5800 PSI
Maximum Pump Speed	1000 RPM
Horsepower	26.2 EBHP
Maximum Inlet Pressure	125 PSI
Maximum Inlet Vacuum	7 ft. water (6.2 in. Hg)
Plunger Bore (in / mm)	.787 in. / 20 mm
Plunger Stroke (in / mm)	1.102 in. / 28 mm
Oil Capacity	91 oz.
Maximum Fluid Temperature	165° F
Inlet Port Thread	1" NPT-F
Discharge Port Thread	1/2" NPT-F
Shaft Diameter	1.378 in. / 35 mm
Weight	160 lbs.
Dimensions	15.6" x 14.0" x 9.5"

DIMENSIONAL DRAWING

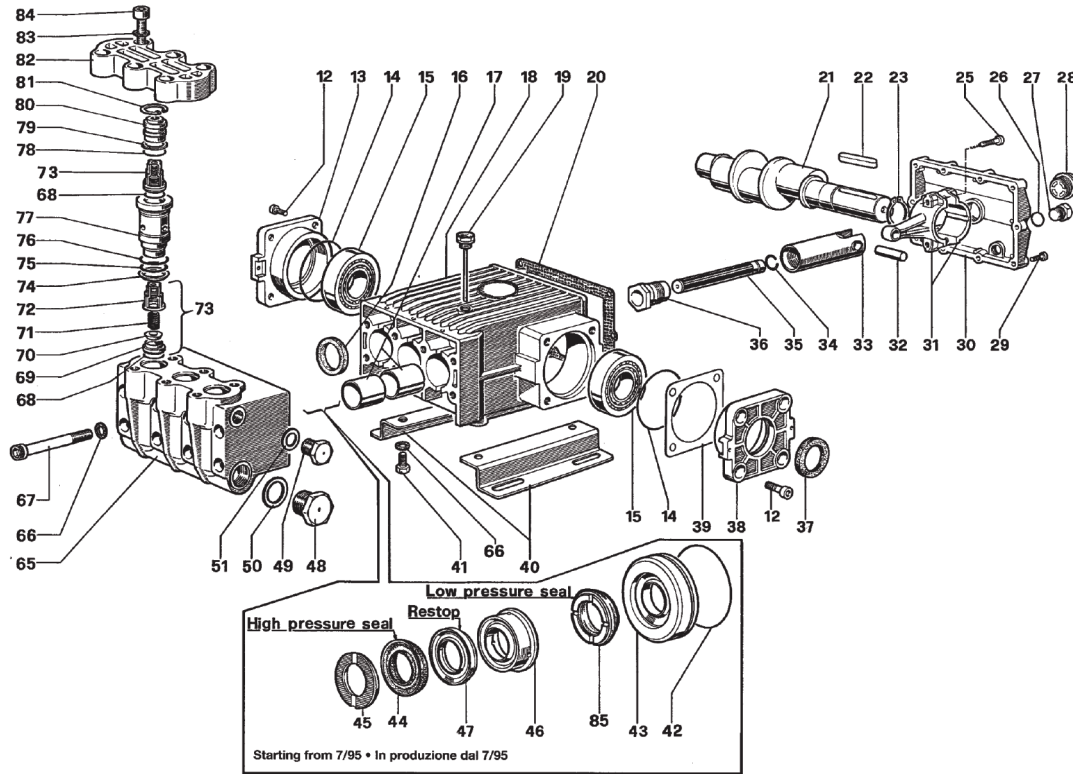


TRIPLEX

TRIPLEX

T Series 76 - 20 mm bore

GENERAL PUMP *A member of the Interpump Group*



PARTS LIST

ITEM	PART NO.	DESCRIPTION	KIT NO.	QTY.	ITEM	PART NO.	DESCRIPTION	KIT NO.	QTY.	ITEM	PART NO.	DESCRIPTION	KIT NO.	QTY.
12.	99365200	Screw, M10 x 20		8	32.	97740000	Plunger Pin		3	65.	61120241	Manifold		1
13.	76150122	Cover		1	33.	61050066	Plunger Guide		3	66.	96719500	Washer, Ø12		12
14.	90414100	O-ring, Ø85.32x3.53		2	34.	90011500	Cir-clip		3	67.	99446500	Screw, M12x130		8
15.	91847400	Bearing		2	35.	61040056	Plunger (20 mm)		3	68.	90385000	O-ring, Ø21.89x2.62	122	6
16.	90167000	Ring, Ø35x52x7	44	3	36.	61219566	Plunger Screw		3	69.	36202466	Valve Seat	122	6
17.	90917200	Bushing, Ø35x39x30		6	37.	90167200	Ring, Ø35x52x8	32	1	70.	36201366	Valve	122	6
18.	76010201	Crankcase		1	38.	76150022	Cover		1	71.	94737400	Spring, Ø10.7x22.5	122	6
19.	98227000	Oil Dip Stick		1	39.	76220078	Shim		2	72.	36202351	Valve Guide	122	6
20.	76211984	Cover, Gasket		1	40.	76200074	Foot		2	73.	36711401	Valve Assy.	122	6
21.	76021035	Crankshaft		1	41.	99426600	Screw, M12x25		4	74.	90518100	Anti-ext. Ring		3
22.	91497800	Key		1	42.	90390300	O-ring, Ø60x2.262	76,78	3	75.	90405700	O-ring, Ø31.34x3.53		3
23.	90069500	Cir-clip		1	43.	61080070	Packing Retainer	76,78	3	76.	90387100	O-ring, Ø34.60x2.62		3
24.	96710400	Washer		6	44.	90270500	H.P. Packing, Ø20	77,78	3	77.	61217766	Guide		3
25.	99372000	Screw, M10x45		6	45.	47100051	Head Ring	7,78	3	78.	90385500	O-ring, Ø23.47x2.62		3
26.	90383300	O-ring, Ø13.95x2.62		2	46.	61216070	Intermed. Ring	75,78	3	79.	90515400	Anti-ext. Ring		3
27.	98210000	Cap, G 3/8x13		1	47.	90270900	Restop Rin, Ø20	77,78	3	80.	61217670	Cap		3
28.	97596800	Oil Level Indicator		1	48.	98232500	Cap, 1x17		1	81.	90067000	Cir-clip, Ø30		3
29.	99189700	Screw, M6x25		10	49.	98217800	Cap, G1/2x16		1	82.	61218241	Valve Cover		1
30.	76160022	Crankcase Cover		1	50.	96787000	Washer, Ø33.5x58x1.5		1	83.	96730000	Washer, Ø14		6
31.	76030301	Connecting Rod		3	51.	96751400	Washer, Ø21.5x27x1.5		1	84.	99486000	Screw, M14x50		6
										85.	90271000	L.P. Seal, Ø20	77,78	3

REPAIR KITS

KIT NO.	K07	K32	K44	K75	K76	K77	K78	K122
ITEM NO's INCLUDED IN KIT	45	37	16	46	42, 43	44, 47, 85	42, 43, 44, 45, 46, 47, 85	68, 69, 70, 71, 72 (73)
NUMBER OF ASSEMBLIES IN KIT	6	2	3	3	3	3	1	6
NUMBER OF CYLINDERS KIT WILL SERVICE	3	-	3	3	3	3	1	6

TORQUE SPECS*

Pos.	Ft/lb	Nm
12	29.4	39.9
25	29.4	39.9
27	29.4	39.9
28	8.8	12
29	7.3	9.9
36	81.0	109.9
41	51.5	69.8
48	73.7	99.9
49	36.8	49.9
67	51.5	69.8
84	95.8	129.9

* Decrease torque by 20% if threads are lubricated

Ref 300275 Rev. E
07-14