

30 mm bore - Triplex Plunger Pump

FEATURES

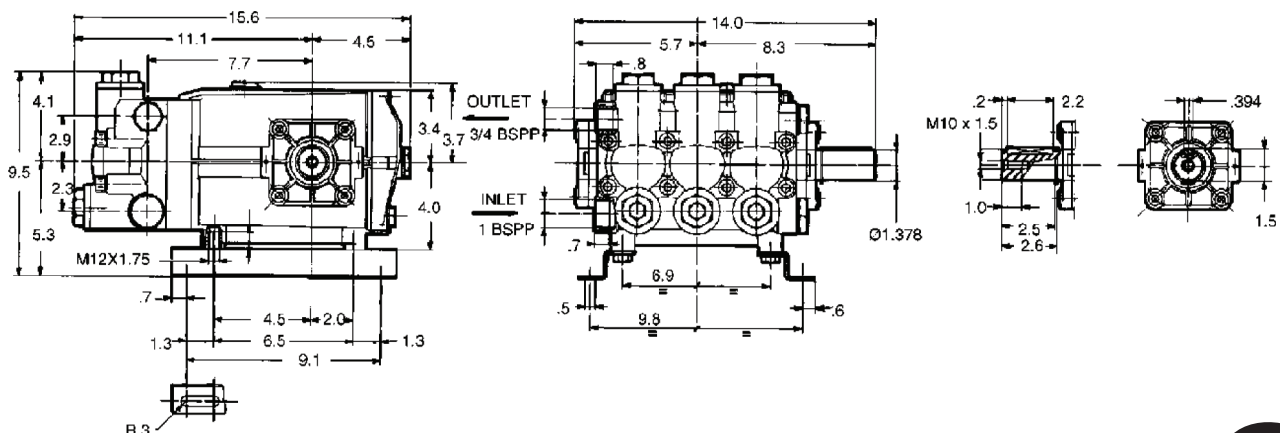
- The industry's choice for high-flow applications
- Forged brass manifold with an exclusive lifetime warranty
- Large-capacity, die-cast, anodized aluminum oil-bath crankcase
- Over-sized connecting rods for maximum life
- Heavy-duty tapered roller bearing
- Solid ceramic plungers with continuously lubricated packings
- Unitized Stainless Steel Inlet and Discharge Valves



SPECIFICATIONS

Pump Model	T1551
Maximum Volume	14.0 GPM
Maximum Discharge Pressure	2175 PSI
Maximum Pump Speed	1000 RPM
Maximum Inlet Pressure	125 PSI
Maximum Inlet Vacuum	9 ft. water (7.9 in. Hg)
Plunger Bore (in / mm)	1.181 in. / 30 mm
Plunger Stroke (in / mm)	1.102 in. / 28 mm
Oil Capacity	91 oz.
Maximum Fluid Temperature	165° F
Inlet Port Thread	1" BSP-F
Discharge Port Thread	3/4" BSP-F
Shaft Diameter	1.378 in. / 35 mm
Weight	93.0 lbs.
Dimensions	15.6" x 14.0" x 9.5"

DIMENSIONAL DRAWING

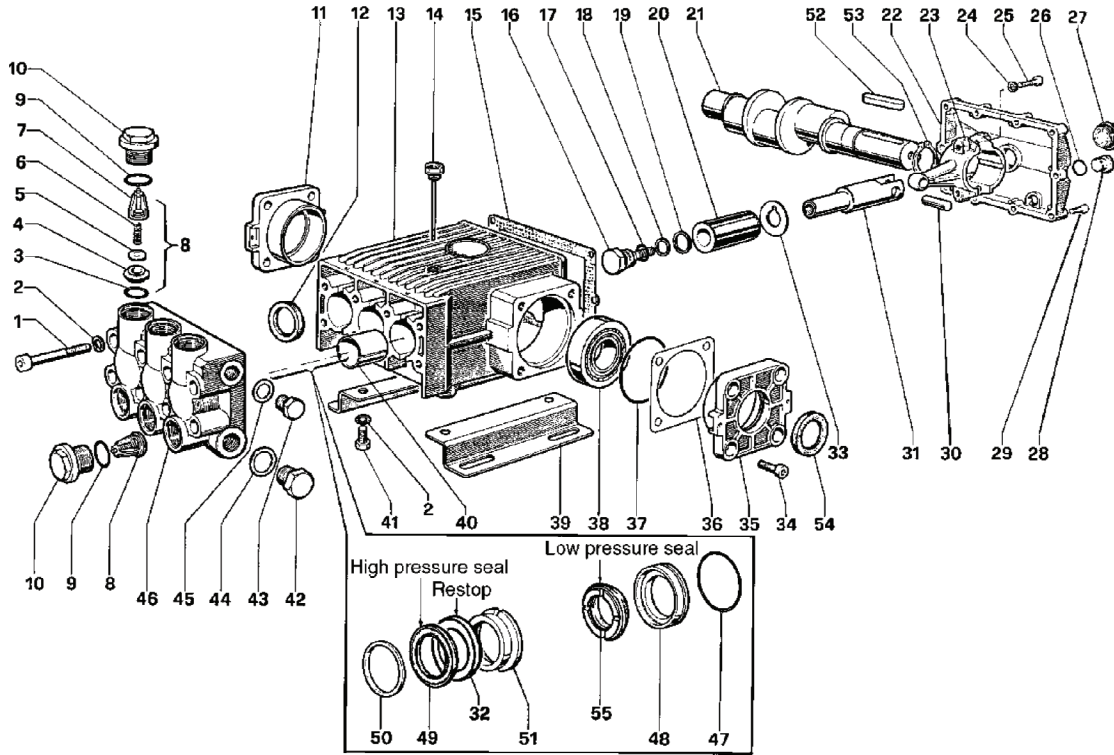


TRIPLEX

TRIPLEX

T Series 76 - 30 mm bore

GENERAL PUMP *A member of the Interpump Group*



PARTS LIST

ITEM	PART NO.	DESCRIPTION	KIT NO.	QTY.	ITEM	PART NO.	DESCRIPTION	KIT NO.	QTY.	ITEM	PART NO.	DESCRIPTION	KIT NO.	QTY.
1.	99441800	Screw		8	20.	76040056	Plunger (30 mm)		3	38.	91847400	Bearing		2
2.	96719500	Washer		12	21.	76021035	Crankshaft		1	39.	76200074	Bar		2
3.	90405900	O-ring	43	6	22.	76160022	Cover		1	40.	90917200	Bushing		6
4.	36201166	Valve Seat	43	6	23.	76030301	Connecting Rod		3	41.	99426600	Screw		4
5.	36201076	Valve	43	6	24.	96710400	Washer		6	42.	98232500	Cap		1
6.	94745000	Spring	43	6	25.	99372000	Screw		6	43.	98226500	Cap		1
7.	36200951	Valve Guide	43	6	26.	90383300	O-ring		2	44.	96787000	Washer		1
8.	36706501	Valve Unit	43	6	27.	97596800	Oil Indicator		1	45.	96770000	Washer		1
9.	90406500	O-ring		6	28.	98210000	Cap		2	46.	76121041	Manifold		1
10.	98242000	Cap		6	29.	99189700	Screw		10	47.	90390300	O-ring	114, 115	3
11.	76150122	Cover		1	30.	97740000	Plunger Pin		3	48.	76080070	Packing Retainer	114, 115	3
12.	90167000	Ring	44	3	31.	77050054	Plunger Guide	113,115	3	49.	90277000	Packing	113, 115	3
13.	76010201	Crankcase		1	32.	90277400	Ring		3	50.	69100051	Head Ring	65, 115	3
14.	98227000	Oil Dip Stick		1	33.	96756800	Washer		3	51.	69216770	Intermed. Ring	66, 115	3
15.	76211984	Gasket		1	34.	99365200	Screw		8	52.	91497800	Key		1
16.	69219566	Plunger Screw	74	3	35.	76150022	Cover		1	53.	90069500	Clip		1
17.	90384100	O-ring	74	3	36.	76220078	Shim		2	54.	90167200	Seal	32	1
18.	90510700	Anti-ext. Ring	74	3	37.	90414100	O-ring		2	55.	90277600	Seal, Low Press, 30mm	113, 115	3
19.	96755500	Washer	74	3										

REPAIR KITS

KIT NO.	K32	K43	K44	K65	K66	K74	K113	K114	K115
ITEM NO's INCLUDED IN KIT	54	3, 4, 5, 6, 7, (8)	12	50	51	16, 17, 18, 19	32, 49, 55	47, 48	32, 47, 48, 49, 50, 51, 55
NUMBER OF ASSEMBLIES IN KIT	2	6	3	6	3	3	3	3	1
NUMBER OF CYLINDERS KIT WILL SERVICE	-	6	3	3	3	3	3	3	1

TORQUE SPECS*

Pos.	Ft/lb	Nm
1	51.5	70
10	110.6	150
16	29.4	40
25	29.4	40
27	8.8	12
28	29.4	40
29	7.3	10
34	29.4	40
41	51.5	70
42	73.7	100
43	51.5	70

* Decrease torque by 20% if threads are lubricated

