



FEATURES

3 way flow-through design regulating valve with incorporated by-pass lever

- Regulates operating pressure of the system by releasing excess volume through the by-pass.
- Limits pressure in the system to the adjusted value.
- Adjusted pressure can be set ON or OFF by means of the by-pass lever.
- Reduces pump start-up load.
- Protects the system from overpressurization.
- Suitable for controlling several units at the same time.

SPECIFICATIONS

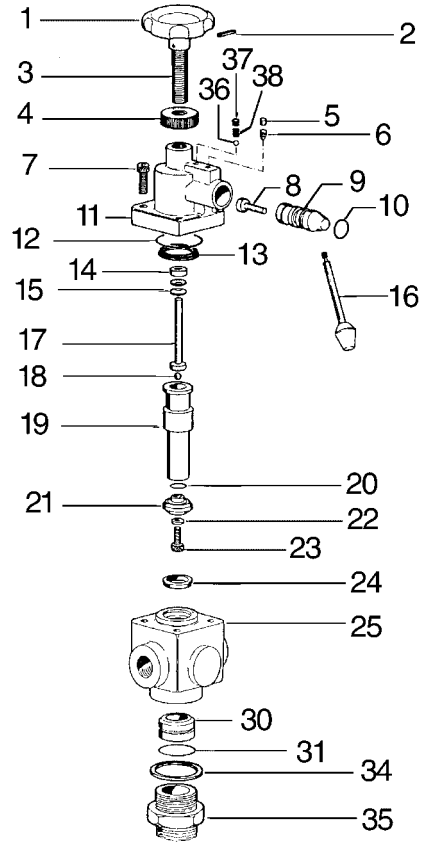
Part Number	NL2
Maximum Volume	48 GPM
Maximum Pressure	2900 PSI
Port Sizes: Inlet	1 – 11 BSPP
Outlet	3/4 – 14 BSPP
By-pass	1-1/4 – 11 BSPP
Weight	10.1 lb.
Material: Upper Valve Body	OT58 Brass
Lower Valve Body	OT58 Brass
Valve Seat	AISI 431 s.s.
Valve	AISI 420 s.s. with Stellite

WARRANTY

General Pump accessories are warranted by the manufacturer to be free from defects in material and workmanship. Period of warranty shall be 90 days from date product is received by the original buyer. Liability of manufacturer under the foregoing warranty is limited to **repair or replacement** at the option of manufacturer of that product which according to the manufacturer's investigation was deemed defective at time of shipment. Damage resulting from neglect, abuse, tampering or misapplication voids this warranty. This warranty is in lieu of all other warranties, expressed or implied, including any warranty of merchantability and/or any and all other obligations or liabilities on the part of the manufacturer.

PARTS LIST

Pos.	Part Number	Description	Qty.
1	F003500000	Knob, Regulating	1
2	F872139012	Pin, Spring, .118 x .984	1
3	F072200010	Screw, Adjusting	1
4	F033000000	Nut, Lock	1
5	F871234302	Screw, Set, M6 x 10	1
6	F871235303	Screw, Set, M6 x 12	1
7	F871121306	Screw, Cap, Socket Head, M8 x 35	4
8	F002000020	Pin	1
9	F002000010	Pivot, Eccentric	1
10	F881010110	O-Ring, .797 x .103	1
11	F062300080	Cover, Valve	1
12	F881010121	O-Ring, 1.737 x .103	1
13	F881030014	Packing, 32 mm	1
14	F031300090	Spacer	1
15	F872110202	Spring, Disc, .323 x .709 x .059	32
16	F801066001	Lever	1
17	F025000000	Support, Spring, Steel	1
18	F811900007	Ball, .312, Carbon Steel	1
19	F074200020	Piston, SS AISI 420	1
20	F881010008	O-Ring, .739 x .070, Buna-N	1
21	F083200010	Ball, Piston, SS AISI 420	1
22	F872040100	Washer, Lock, M8, Copper	1
23	F871121603	Screw, Cap, Socket Head, M8 x 20, SST	1
24	F881030011	Packing, .984, Buna-N	1
25	F060300030	Body, Valve	1
30	F081200170	Seat, Valve	1
31	F881010117	O-Ring, 1.300 x .103, Buna-N	1
34	F881110104	Washer, 1.25", Buna-N on Steel Frame	1
35	F084300010	Nipple, Valve Seat, Brass OT58	1
36	F811900005	Ball, .250	1
37	F871240301	Screw, Set, M8 x 8, Carbon Steel	1
38	F090000000	Spring, Detent	1



Positions Included	N. PCS.	NL2
10, 12, 13, 20, 21, 22, 23, 24, 30, 31, 34	1	F628

INSTALLATION

The NL2 valve should be mounted on the pressure line (T joint installation is also allowed by closing the outlet port) in any position, horizontal or vertical, which will allow easy access to the pressure adjusting knob and by-pass lever.

The by-pass line should be free from any kind of restriction which may generate back pressures at the valve, it should have an internal diameter of at least 1.5 inches at the narrowest point, and it should not be connected to the pump suction line – see below for correct installation.

The nipple pos. 35 and washer pos. 34 should not be removed from their original position or replaced with other than genuine General Pump replacement parts.

