

## SAFETY PRECAUTIONS

1. Make sure incoming pressure does not exceed the rated pressure.
2. Use proper eye protection when assembling and using the hose reel.
3. Assemble the hose reel on a clean workbench free of debris and moisture.
4. Use soap and water when checking for air leaks.
5. Keep children away from work area.

### **WARNING!**

*Exposure of skin directly to pressurized air or fluids could result in severe bodily injury!*

Ref 300918 Rev. A  
12-12

**General Pump**  
1174 Northland Drive • Mendota Heights, MN 55120  
Phone: 651.686.2199 • Fax: 800.535.1745  
www.generalpump.com • email: sales@gpcompanies.com



# INDUSTRIAL HOSE REELS

FROM GENERAL PUMP

- DIRECT HAND-CRANK REWIND WITH LOCKING MECHANISM
- SOLID STEEL CONSTRUCTION
- DURABLE POWDERCOAT FINISH
- FULL FLOW SWIVEL BRASS JOINT

**2100367**  
( 100 Ft., 25" Pigtail)

**2100368**  
( 150 Ft., 32" Pigtail)

**2100369**  
( 150 Ft., 56" Pigtail)

## OPERATOR'S MANUAL

Ref 300918 Rev. A  
12-12

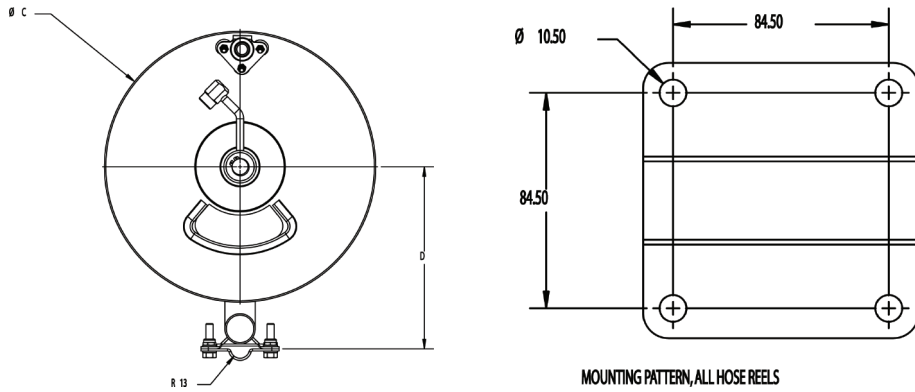


General Pump  
is a member of  
The Interpump Group

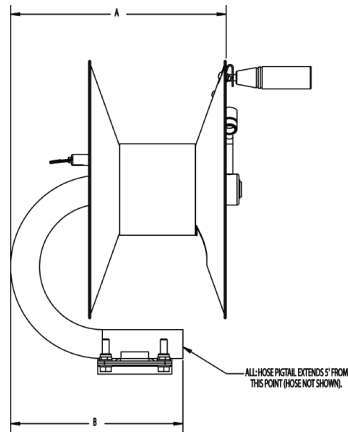


# ASSEMBLY AND OPERATING INSTRUCTIONS

1. Connect the handle to the flange. Nuts go on handle side of flange.
2. Use (4) 3/8" or 10 mm bolts when securing the hose reel to ceiling or wall.
3. Use the provided nuts, bolts and mounting bracket when securing hose reel to a cart.
4. Use thread sealant (not provided) on inlet threads and on outlet hose (not provided).
5. Attach pigtail end to high pressure pump outlet.
6. Attach hose reel hose to swivel on hose reel
7. The hose reel is ready for operation.



MOUNTING PATTERN, ALL HOSE REELS



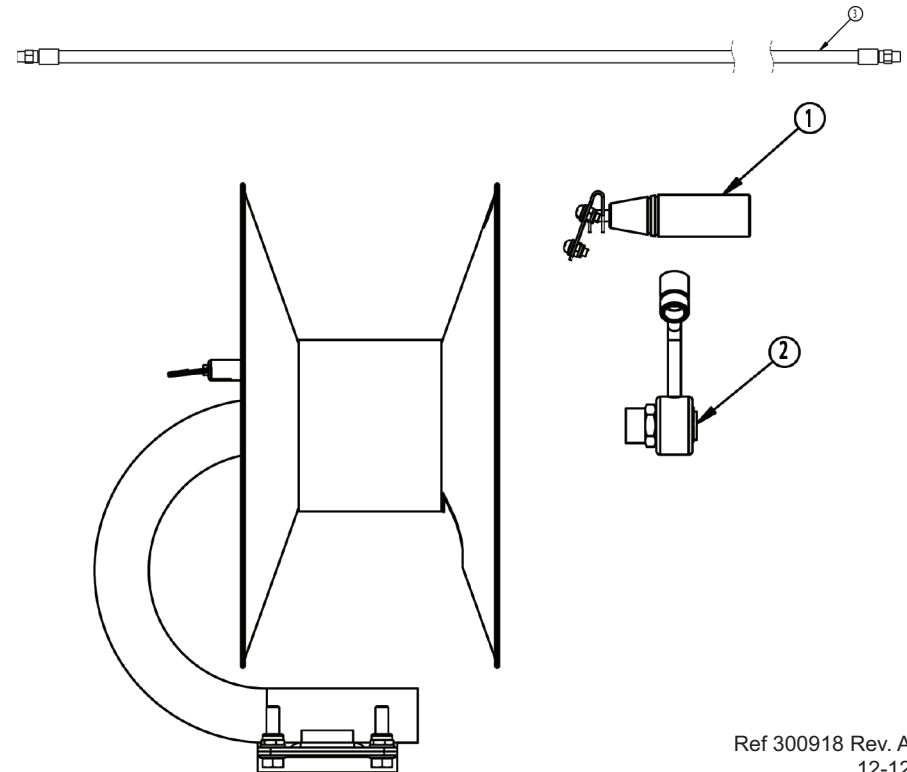
	Dimensions (mm)			
	A	B	C	D
2100367	313.4	250.4	375.5	252.4
2100368	411.5	348.4	375.5	252.4
2100369				

Ref 300918 Rev. A  
12-12

# SPECIFICATIONS

Model	3/8" Capacity	Swivel Pressure Rating	Inlet	Outlet
2100367	100 Ft.	5000 PSI	3/8" NPT-M	3/8" NPT-F
2100368	150 Ft.			
2100369				

**MAXIMUM TEMPERATURE RATING: 185°F**



Ref 300918 Rev. A  
12-12

# PARTS LIST

	Item		
	1	2	3
2100367	100056	2103051	2702063
2100368	100056	2103051	2702065
2100369	100056	2103051	2702067
2100278	SWIVEL REPAIR KIT		