



FEATURES

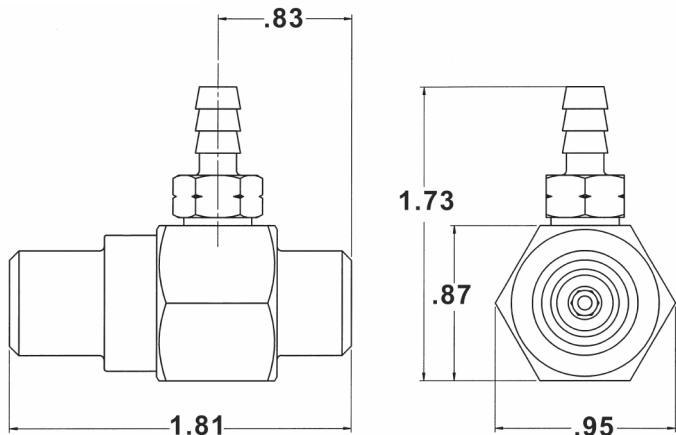
- Available with both fixed and adjustable barbs
- Made in the USA
- A cost effective solution to your chemical application needs

SPECIFICATIONS

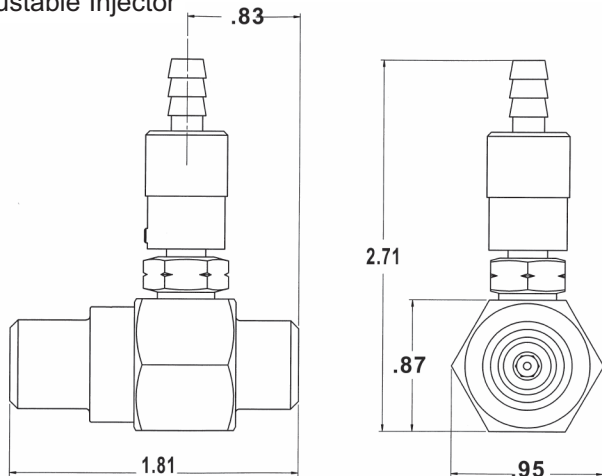
| Model | 100819 | 100820 | 100821 | 100822 | 100823 | 100824 | 100825 | 100826 |
|---------------------|-------------------------------|-----------|----------------|-----------|--------------------|-----------|----------------|-----------|
| Style | Fixed | | | | Adjustable | | | |
| Operating Pressure | 4500 PSI | | | | 4500 PSI | | | |
| Flow Range | 1 - 2 GPM | 2 - 3 GPM | 3 - 5 GPM | 5 - 8 GPM | 1 - 2 GPM | 2 - 3 GPM | 3 - 5 GPM | 5 - 8 GPM |
| Maximum Temperature | 190° F | | | | | | | |
| Port Sizes | Inlet | | 3/8" NPT-M | | Inlet | | 3/8" NPT-M | |
| | Discharge | | 3/8" NPT-M | | Discharge | | 3/8" NPT-M | |
| | Chemical Port | | 1/4" Hose Barb | | Chemical Port | | 1/4" Hose Barb | |
| Dimensions | 1.8" x .95" x 1.7" | | | | 1.8" x .95" x 2.7" | | | |
| Weight | 3.7 oz. | | | | 4.8 oz. | | | |
| Materials | Brass, Stainless Steel, Viton | | | | | | | |

DIMENSIONAL DRAWING

Fixed Injector



Adjustable Injector



Ref 300377 Rev. E
06-16



General Pump is a member of the Interpump Group



GENERAL PUMP

INSTALLATION

This product is to be used with clean, fresh water. For different or corrosive liquids, contact GP Technical Service Department. With not clean liquids, appropriate filtration should be installed. Select the injector based on the nominal operating rating; system rated pressure, max flow and max temperature. Install valve with direction arrow pointing downstream. For proper operation a control device such as a dual lance wand, quick couple nozzles, or an adjustable nozzle holder must be used to lower the system pressure at the nozzle.

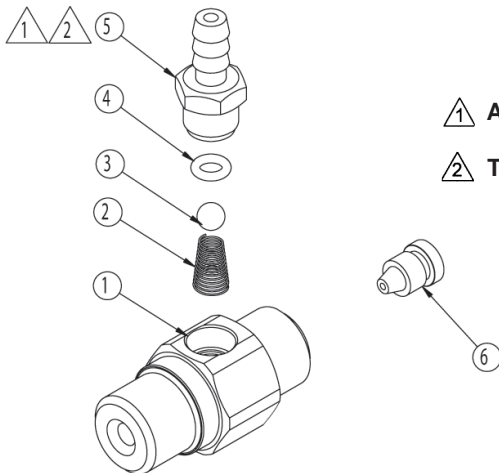
Under no circumstances should the pressure of the system exceed the maximum rated pressure of any component.

TROUBLESHOOTING

| Problem | Cause | Solution |
|--|--|--|
| Chemical Injector will not draw Chemical | Incorrect nozzle System is not in low pressure mode Discharge hose is too long Chemical line is clogged | Check and change nozzle Change or adjust nozzle to put system in low pressure mode Reduce length of discharge hose or change injector* Clear chemical line of obstruction |
| Rate of draw seems too slow | Discharge hose is too long Air leak in chemical line Chemical is too viscous | Reduce length of discharge hose or change injector* Locate and repair leak Reduce chemical with water to decrease its viscosity |
| Chemical Injector is leaking from hose barb | Obstruction in hosebarb checkvalve Damaged o-ring in checkvalve | Disassemble and remove obstruction Remove and replace o-ring |
| Excessive pressure load on pump, motor or engine | Clogged injector Improperly sized injector orifice | Clear injector orifice of obstruction Change orifice* |

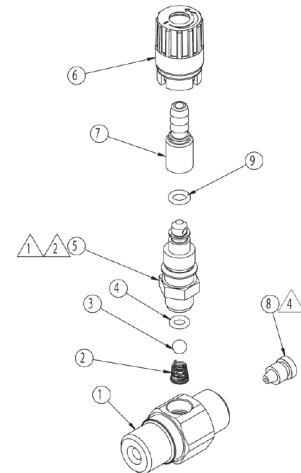
*Contact GP Technical Service for Assistance

PARTS LIST



⚠ Apply Loc-tite 242 to threads for re-assembly

⚡ Torque to 60 in/lbs for re-assembly



| Item | Part Number | Description | QTY |
|-------|-------------|-----------------------------------|-----|
| Kit * | 100886 | Repair Kit | 1 |
| Kit † | 100991 | Acid Kit (Optional) | 1 |
| 1 | 510367 | Housing, Injector | 1 |
| 2 | *† 720040 | Spring | 1 |
| 3 | * 520008 | Ball, Injector, 316 SS | 1 |
| | † 640002 | Ball, Injector, Ceramic (Opt.) | 1 |
| 4 | *† 701008V | O-ring, 70 duro, viton, .176x.070 | 1 |
| 5 | 510248 | Hose barb, Brass | 1 |
| 6 | 520147 | Nozzle, .057 in, 303 SS (100819) | 1 |
| | 520116 | Nozzle, .070 in, 303 SS (100820) | 1 |
| | 520115 | Nozzle, .083 in, 303 SS (100821) | 1 |
| | 520127 | Nozzle, .091 in, 303 SS (100822) | 1 |

| Item | Part Number | Description | QTY |
|-------|-------------|--------------------------------------|-----|
| Kit * | 100885 | Repair Kit | 1 |
| Kit † | 100992 | Acid Kit (Optional) | 1 |
| 1 | 510367 | Housing, Injector | 1 |
| 2 | *† 720040 | Spring | 1 |
| 3 | * 520008 | Ball, Injector, 316 SS | 1 |
| | † 640002 | Ball, Injector, Ceramic (Opt.) | 1 |
| 4 | *† 701008V | O-ring, 70 duro, viton, .176x.070 | 1 |
| 5 | 510413 | Post, Adj. Hose barb, Brass, Hi-draw | 1 |
| 6 | 660166 | Knob, Adj. Hose Barb | 1 |
| 7 | 510412 | Hose Barb, Brass, Adj | 1 |
| 8 | 520147 | Nozzle, .057 in, 303 SS (100823) | 1 |
| | 520116 | Nozzle, .070 in, 303 SS (100824) | 1 |
| | 520115 | Nozzle, .083 in, 303 SS (100825) | 1 |
| | 520127 | Nozzle, .091 in, 303 SS (100826) | 1 |
| 9 | 701501 | O-ring, 70 Duro, Viton, .208x.070 | 1 |

Ref 300377 Rev. E
06-16