



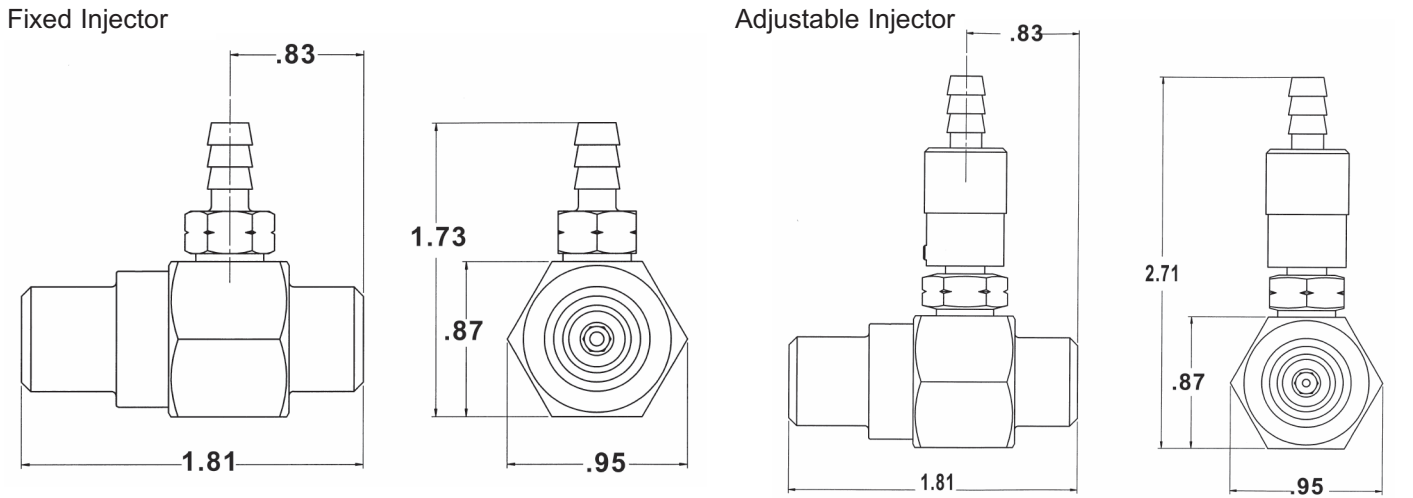
FEATURES

- Available with both fixed and adjustable barbs
- Made in the USA
- A cost effective solution to your chemical application needs

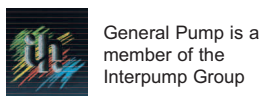
SPECIFICATIONS

Model	100819	100820	100821	100822	100823	100824	100825	100826
Style	Fixed				Adjustable			
Operating Pressure	4500 PSI				4500 PSI			
Flow Range	1 - 2 GPM	2 - 3 GPM	3 - 5 GPM	5 - 8 GPM	1 - 2 GPM	2 - 3 GPM	3 - 5 GPM	5 - 8 GPM
Maximum Temperature	190° F							
Port Sizes	Inlet		3/8" NPT-M		Inlet		3/8" NPT-M	
	Discharge		3/8" NPT-M		Discharge		3/8" NPT-M	
	Chemical Port		1/4" Hose Barb		Chemical Port		1/4" Hose Barb	
Dimensions	1.8" x .95" x 1.7"				1.8" x .95" x 2.7"			
Weight	3.7 oz.				4.8 oz.			
Materials	Brass, Stainless Steel, Viton							

DIMENSIONAL DRAWING



Ref 300377 Rev. E
06-15



INSTALLATION

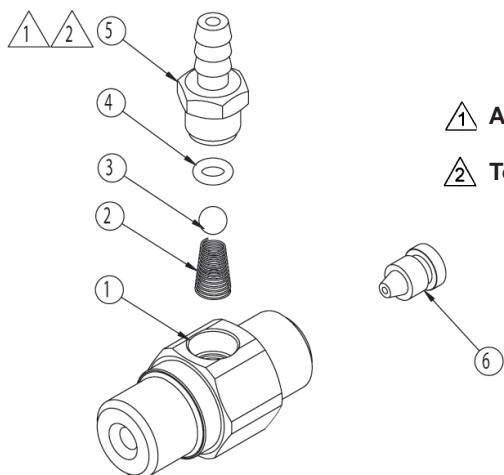
This product is to be used with clean, fresh water. For different or corrosive liquids, contact GP Technical Service Department. With not clean liquids, appropriate filtration should be installed. Select the injector based on the nominal operating rating; system rated pressure, max flow and max temperature. Install valve with direction arrow pointing downstream. For proper operation a control device such as a dual lance wand, quick couple nozzles, or an adjustable nozzle holder must be used to lower the system pressure at the nozzle. Under no circumstances should the pressure of the system exceed the maximum rated pressure of any component.

TROUBLESHOOTING

Problem	Cause	Solution
Chemical Injector will not draw Chemical	Incorrect nozzle System is not in low pressure mode Discharge hose is too long Chemical line is clogged	Check and change nozzle Change or adjust nozzle to put system in low pressure mode Reduce length of discharge hose or change injector* Clear chemical line of obstruction
Rate of draw seems too slow	Discharge hose is too long Air leak in chemical line Chemical is too viscous	Reduce length of discharge hose or change injector* Locate and repair leak Reduce chemical with water to decrease its viscosity
Chemical Injector is leaking from hose barb	Obstruction in hosebarb checkvalve Damaged o-ring in checkvalve	Disassemble and remove obstruction Remove and replace o-ring
Excessive pressure load on pump, motor or engine	Clogged injector Improperly sized injector orifice	Clear injector orifice of obstruction Change orifice*

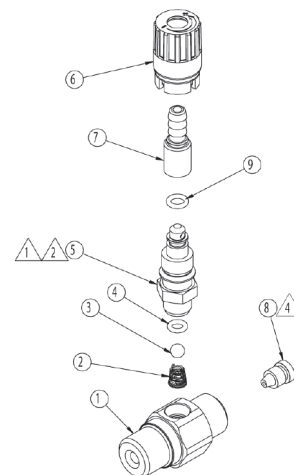
*Contact GP Technical Service for Assistance

PARTS LIST



⚠ Apply Loc-tite 242 to threads for re-assembly

⚡ Torque to 40 in/lbs for re-assembly



Item	Part Number	Description	QTY
Kit *	100886	Repair Kit	1
Kit †	100991	Acid Kit (Optional)	1
1	510367	Housing, Injector	1
2	*† 720040	Spring	1
3	* 520008	Ball, Injector, 316 SS	1
	† 640002	Ball, Injector, Ceramic (Opt.)	1
4	*† 701008V	O-ring, 70 duro, viton, .176x.070	1
5	510248	Hose barb, Brass	1
6	520147	Nozzle, .057 in, 303 SS (100819)	1
	520116	Nozzle, .070 in, 303 SS (100827)	1
	520115	Nozzle, .083 in, 303 SS (100821)	1
	520127	Nozzle, .091 in, 303 SS (100822)	1

Item	Part Number	Description	QTY
Kit *	100885	Repair Kit	1
Kit †	100992	Acid Kit (Optional)	1
1	510367	Housing, Injector	1
2	*† 720040	Spring	1
3	* 520008	Ball, Injector, 316 SS	1
	† 640002	Ball, Injector, Ceramic (Opt.)	1
4	*† 701008V	O-ring, 70 duro, viton, .176x.070	1
5	510413	Post, Adj. Hose barb, Brass	1
6	660166	Knob, Adj. Hose Barb	1
7	510412	Set Screw, SS	1
8	520147	Nozzle, .057 in, 303 SS (100823)	1
	520116	Nozzle, .070 in, 303 SS (100824)	1
	520115	Nozzle, .083 in, 303 SS (100825)	1
	520127	Nozzle, .091 in, 303 SS (100826)	1
9	701501	O-ring, 70 Duro, Viton, .208x.070	1

Ref 300377 Rev. E
06-15