



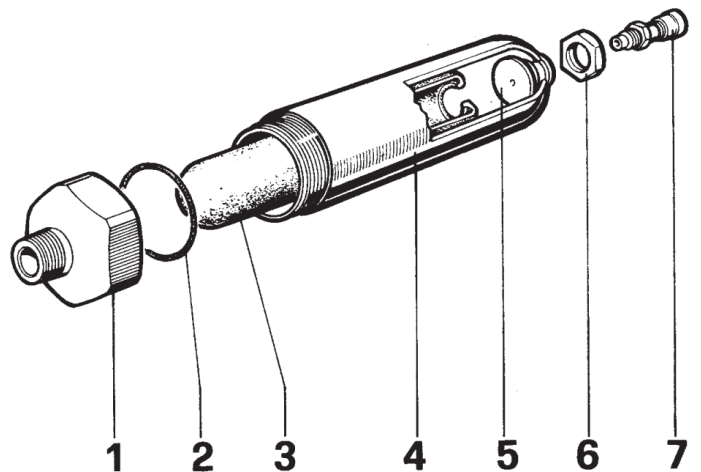
**SPECIFICATIONS**

Part Number:	ZMACC
Maximum Volume	to 10 GPM
Maximum Pressure	13-- PSI
Factory Pre-Charge	90 - 200 PSI Air
Port Size: Inlet	3/4-14 BSP-M
Dimensions:	7.48" L x 2.36"
Weight:	1.7 lb.
Materials:	Steel, Zinc Plate

*Check accumulator every three months to see that it is properly charged.*

**PARTS LIST**

Item	Part #	Description	Qty.
1.	75190164	End Cover	1
2.	90407700	O-ring	1
3.	75170047	Diaphragm	1
4.	75180089	Cover	1
5.	75210570	Diaphragm Screw	1
6.	92256200	Nut	1
7.	98865000	Air Valve	1



General Pump  
is a member of  
the Interpump Group

