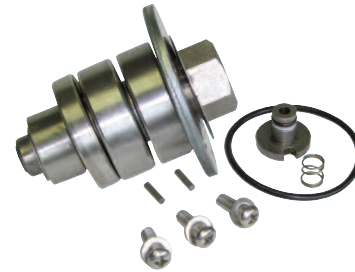
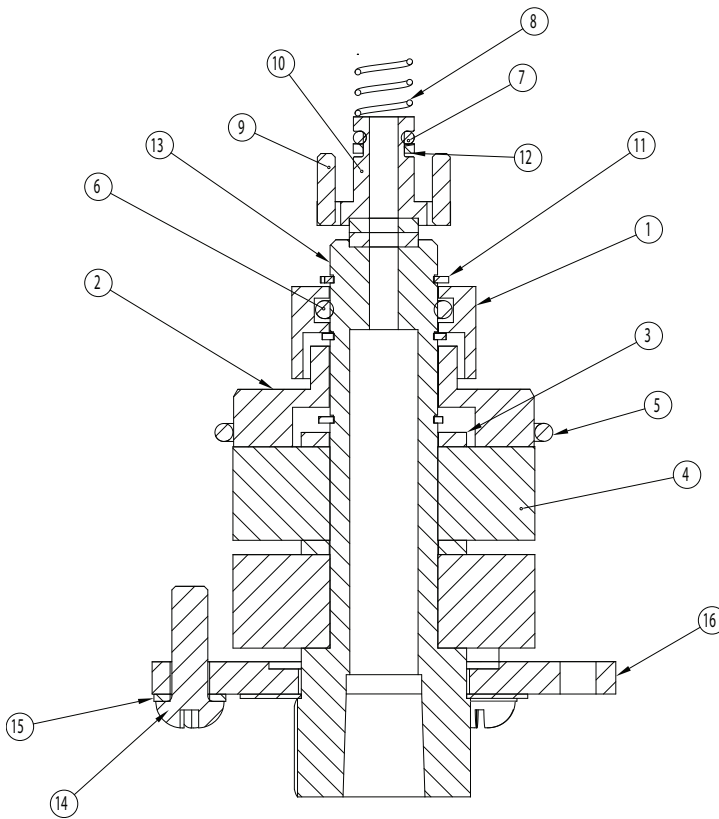


### REPAIR KIT INSTRUCTIONS



- 1) Disconnect the high pressure hose from the top of the swivel.
- 2) Loosen the 6mm allen head bolt in the collar holding the swivel to the FSC deck.
- 3) Slide the swivel and arm out the bottom of the deck.
- 4) Remove the nozzle arm from the swivel stem.

**NOTE: A VISE MAKES THE NEXT (11) STEPS EASIER:**

- 5) Secure the swivel in a vise with the bottom, end with three screws facing up.
- 6) Remove the three screws.
- 7) Grab the swivel stem with a plier or vise grip and pull the stem assembly out.
- 8) Remove the small stem and spring from the inside of the swivel body bore.
- 9) If the two dowel pins pressed into the end of the swivel body bore do not look worn they can be left in place. If they look worn, you need to pull them out and press in new pins. This can be difficult. Heating the outside of the housing helps to remove the pins, but this discolors the anodize. Replace the pins with new ones supplied in the kit. Tap in with punch and hammer.
- 10) Use an o-ring pick to remove the o-ring in the ID of the swivel body about half way down the swivel body bore.
- 11) Replace this o-ring with the one supplied in the kit.
- 12) A little grease on this o-ring helps the assembly process.
- 13) Lubricate the o-ring on the new small stem with a good quality grease, drop the new spring into the small center bore at the bottom of the swivel body bore, then press the new small stem in the same bore on top of the spring. Be sure the slots in the small stem drop over the pins.
- 14) Slide the new swivel stem assembly into the swivel bore and secure with the three washers and screws.
- 15) Use a good quality thread sealant on the nozzle arm threads and attach the arm to the swivel stem.
- 16) Slide the swivel and arm assembly into the deck collar from the bottom of the deck and position the nozzles so they are about one inch from the bottom of the brushes. Tighten the 6mm bolt on the collar.
- 17) Use a good quality thread sealant and reattach the high pressure hose to the swivel.

ITEM	PART #	DESCRIPTION	QTY
1	2520030	RETAINER, BEARING	1
2	2520028	RETAINER, BEARING	1
3	2520027	SPACER, BEARING	2
4	2640004	BEARING	2
5	2701012	O-RING	1
6	2701011	O-RING	1
7	2701010	O-RING	1
8	2720007	SPRING	1
9	2530008	PIN	2
10	2530007	STEM, SMALL	1
11	2520029	SNAP RING	3
12	2710000	BACK UP RING	1
13	2520113	STEM	1
14	2200092	SCREW, M5 X 16	3
15	2200050	WASHER	3
16	2500012	RETAINER, BEARING	1

Ref 300994 Rev. A  
03-16



General Pump  
is a member of  
the Interpump Group

**GENERAL PUMP** 1174 Northland Drive • Mendota Heights, MN 55120  
Phone: 651.686.2199 • Fax: 800.535.1745 • e-mail: sales@gpcompanies.com • www.generalpump.com

