

GENERAL PUMP *A member of the Interpump Group*

T Series 47 S

22 mm bore / 16 mm stroke

FEATURES

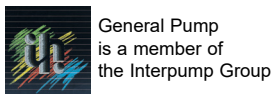
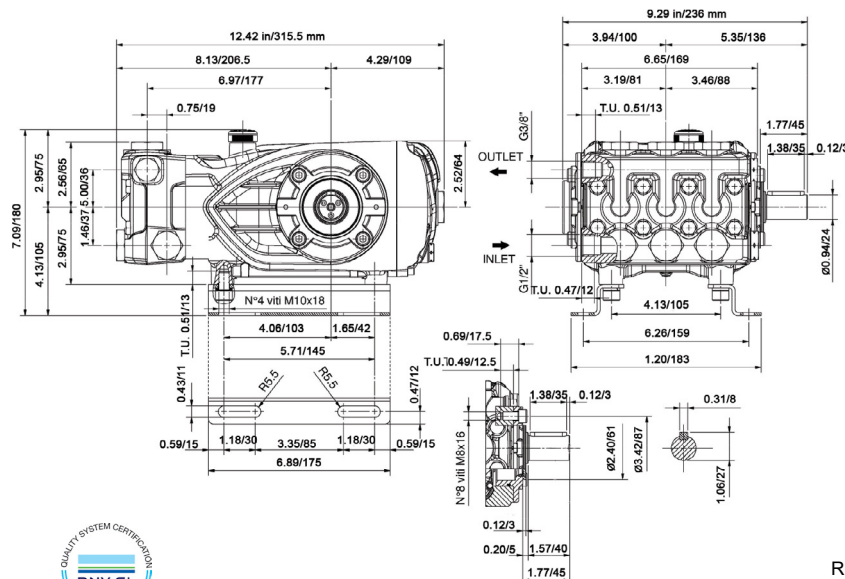
- The preferred pump frame in the pressure cleaning industry
- Forged brass manifold
- Large-capacity, die-cast, anodized aluminum oil-bath crankcase
- Over-sized connecting rods for maximum life
- Heavy-duty tapered roller bearing
- Solid ceramic plungers with continuously lubricated packings
- Unitized stainless steel inlet and discharge valves
- Available in left-handed "L" version



SPECIFICATIONS

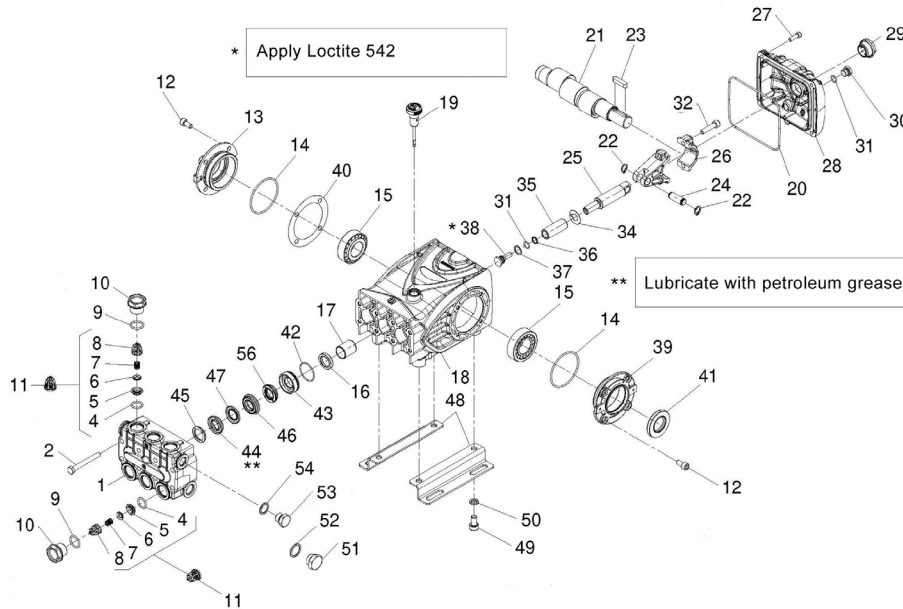
Pump Model	T1321	T1321	T1621
Maximum Volume	5.0 GPM	5.5 GPM	5.0 GPM
Maximum Discharge Pressure	1700 PSI	2100 PSI	2500 PSI
Maximum Pump Speed	1050 RPM	1150 RPM	1050 RPM
Maximum Inlet Pressure	125 PSI		
Maximum Inlet Vacuum	9 ft. water (7.9 in. Hg)		
Plunger Bore	.866 in. / 22 mm		
Plunger Stroke	.630 in. / 16 mm		
Crankcase Oil Capacity	37.2 oz.		
Maximum Fluid Temperature	165° F		
Inlet Port Thread	1/2-14 BSPP-F		
Discharge Port Thread	3/8-19 BSPP-F		
Shaft Diameter	.945 in. / 24 mm		
Weight	32 lbs.		
Dimensions	12.4" x 9.2" x 7.1"		

DIMENSIONAL DRAWING



Ref 300260 Rev. L
12-23





PARTS LIST

ITEM	PART NO.	DESCRIPTION	QTY.	ITEM	PART NO.	DESCRIPTION	QTY.	ITEM	PART NO.	DESCRIPTION	QTY.
1.	47120841	Manifold	1	19.	98210600	Oil Dip Stick	1	39.	47151022	Cover, Crankcase	3
2.	99320600	Screw, M8 x 70	8	20.	90392200	O-ring, Cover	1	40..	97567800	Shim	2
4.	701115	O-ring, .674 x .10	6	21.	47021735	Crankshaft	1	41.	90164800	Seal, Oil	1
5.	36200366	Seat, Valve	6	22.	90055700	Ring, Snap	6	42.	90361600	O-ring, 1.364x.070	3
6.	36200176	Plate, Valve	6	23.	640048	Key	1	43.	47080670	Retainer, Packing	3
7.	94737600	Spring	6	24.	97738000	Pin, Wrist	3	44.	90272500	Packing	3
8.	36200251	Guide, Valve	6	25.	47050466	Guide, Plunger	3	45.	46100051	Ring, Head, M22	3
9.	701002	O-ring, .797x.103	6	26.	47030001	Connecting Rod	3	46..	47217070	Intermed. Ring	3
10.	98222000	Cap	6	27.	99188400	Screw, M6x30	5	47.	90273000	Restop Ring	3
	98222200	Cap, Ni. Plt (T1621-N)	6	28.	47160622	Cover, Crankcase	1	48.	47200074	Pump Feet	2
11.	36703201	Valve Assembly	6	29.	97596800	Oil Indicator	1	49.	99364400	Screw, M10 x 18	4
12.	99303900	Screw, M8 x 16	8	30.	98204250	Cap	1	50.	96710600	Washer, M10.2	4
13.	47151122	Cover, Crankcase	1	31.	701013	O-ring, .426x.070	4	51.	98217600	Cap	1
14.	701147	O-ring, 2.675x.103	2	32.	99309900	Screw, M8 x 35	6	52.	96751400	Washer, M21.5	1
15.	91837500	Bearing, Roller	2	34..	96728600	Washer, M14	3	53.	98210000	Cap	1
16.	90162500	Seal, Oil	3	35.	47040509	Plunger, 22 mm	3	54.	96738000	Washer, M17.5	1
17.	90912600	Bushing	3	36.	660067	Ring, Back-up	3	56.	90272800	Seal, Low Press, 22 mm	3
18.	47010822	Crankcase	1	37.	96728000	Washer	3				
				38.	47219566	Screw, Plunger	3				

REPAIR KITS

KIT NO.	1	2	3	4 BRASS	5 NICKEL	6	11	14	29	148	149
ITEM NO's INCLUDED IN KIT	4, 5, 6 7, 8 (11)	16	41	9, 10	9, 10	31, 34, 36, 37, 38	45	42, 43	42, 43 44, 45 46,47,56	44, 47 56	46, 47
NUMBER OF ASSEMBLIES IN KIT	6	3	2	6	6	3	6	3	1	3	3
NUMBER OF CYLINDERS KIT WILL SERVICE	3	3	-	3	3	3	3	3	1	3	3

TORQUE SPECS*

Pos.	Ft/lb	Nm
2	22.1	30
10	95.9	130
12	14.7	20
27	7.3	10
29	8.8	12
30	14.7	20
32	14.7	20
38	14.7	20
49	29.4	40
51	29.4	40
53	29.4	40

* Decrease torque by 20% if threads are lubricated

WARNING: High Pressure Systems require a primary pressure regulating device (i.e. regulator, unloader) and a secondary pressure relief device (i.e. pop-off valve, relief valve). Failure to install such relief devices properly could result in personal injury or damage to pump or property. GP does not assume any liability or responsibility for the operation of the user's high pressure system.



WARNING: This product can expose you to chemicals including lead, which is known to the state of California to cause cancer and birth defects or other reproductive harm. For more information, go to www.P65Warnings.ca.gov