

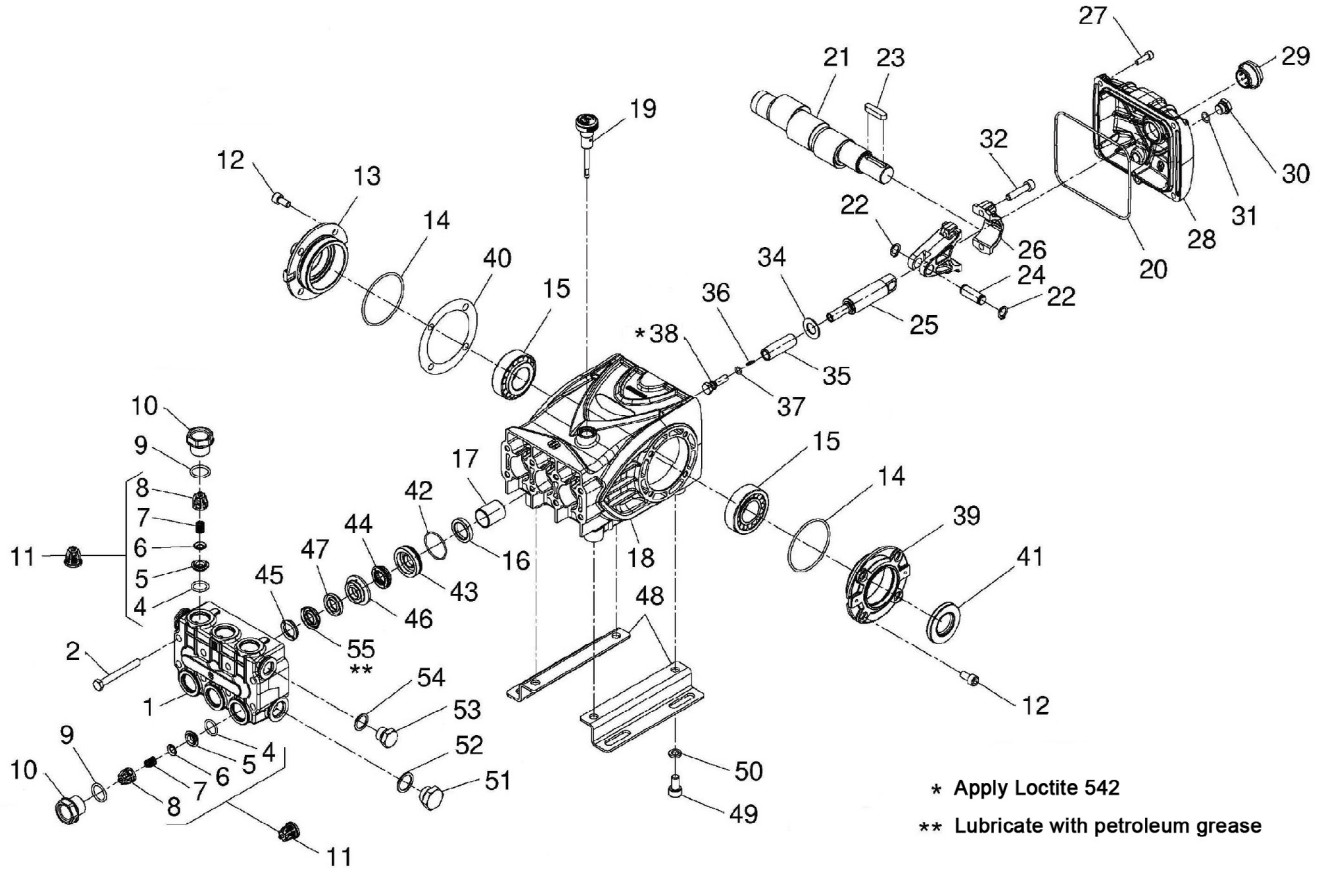
**FEATURES**

- The preferred pump frame in the pressure cleaning industry
- Nickel plated forged brass manifold
- Large-capacity, die-cast, anodized aluminum oil-bath crankcase
- Over-sized connecting rods for maximum life
- Heavy-duty tapered roller bearing
- Solid ceramic plungers with continuously lubricated packings
- Unitized stainless steel inlet and discharge valves
- Available in left-handed "L" version

**SPECIFICATIONS**

Pump Model	T9281
Maximum Volume	4.0 GPM
Maximum Discharge Pressure	4000 PSI
Maximum Pump Speed	1750 RPM
Maximum Inlet Pressure	125 PSI
Maximum Inlet Vacuum	9 ft. water (7.9 in. Hg)
Plunger Bore	.630 in. / 16 mm
Plunger Stroke	.630 in. / 16 mm
Crankcase Oil Capacity	37.2 oz.
Maximum Fluid Temperature	165° F
Inlet Port Thread	1/2-14 BSPP-F
Discharge Port Thread	3/8-19 BSPP-F
Shaft Diameter	.945 in. / 24 mm
Weight	33 lbs.
Dimensions	12.50" x 9.29" x 7.09"





\* Apply Loctite 542

\*\* Lubricate with petroleum grease

No.	Part No.	Description	Qty.
1.	47121441	Manifold	1
2.	99320600	Screw, M8 x 70	8
4.	701115	O-ring, Ø17.13 x 2.62	6
5.	36200366	Seat, Valve	6
6.	36200176	Poppet, Valve	6
7.	94737600	Spring	6
8.	36200251	Guide, Valve	6
9.	701002	O-ring, Ø20.29 x 2.62	6
10.	98222400	Cap, M24 x 1.5 x 17.5	6
11.	36703201	Valve Assembly	6
12.	99303900	Screw, M8 x 16	8
13.	47151122	Cover, Crankcase	1
14.	90391300	O-ring, Ø67.95 x 2.62	8
15.	640047	Bearing, Roller	8
16.	90162600	Seal, Oil, Ø22 x 32 x 2.5	6
17.	90912600	Bushing	6
18.	47010822	Crankcase	1
19.	98210600	Oil Dip Stick	1

No.	Part No.	Description	Qty.
20.	90392200	O-ring, Cover, Ø133.02 x 2.62	1
21.	47021735	Crankshaft	1
22.	90055700	Ring, Snap	6
23.	640048	Key	1
24.	97738000	Pin, Wrist	3
25.	47050666	Guide, Plunger	3
26.	47030001	Connecting Rod	3
27.	99188400	Screw, M6 x 20	5
28.	47160122	Cover, Crankcase	1
29.	47221301	Oil Indicator, G 3/4	1
30.	98204250	Plug	1
31.	90358500	O-ring, Ø10.82 x 1.78	1
32.	99309900	Screw, M8 x 35	6
34.	47211747	Ring	3
35.	47040856	Plunger, 16 mm	3
36.	90503300	Anti-ext. Ring	3
37.	90357700	O-ring, Ø7.66 x 1.78	3
38.	47219666	Screw, Plunger	3

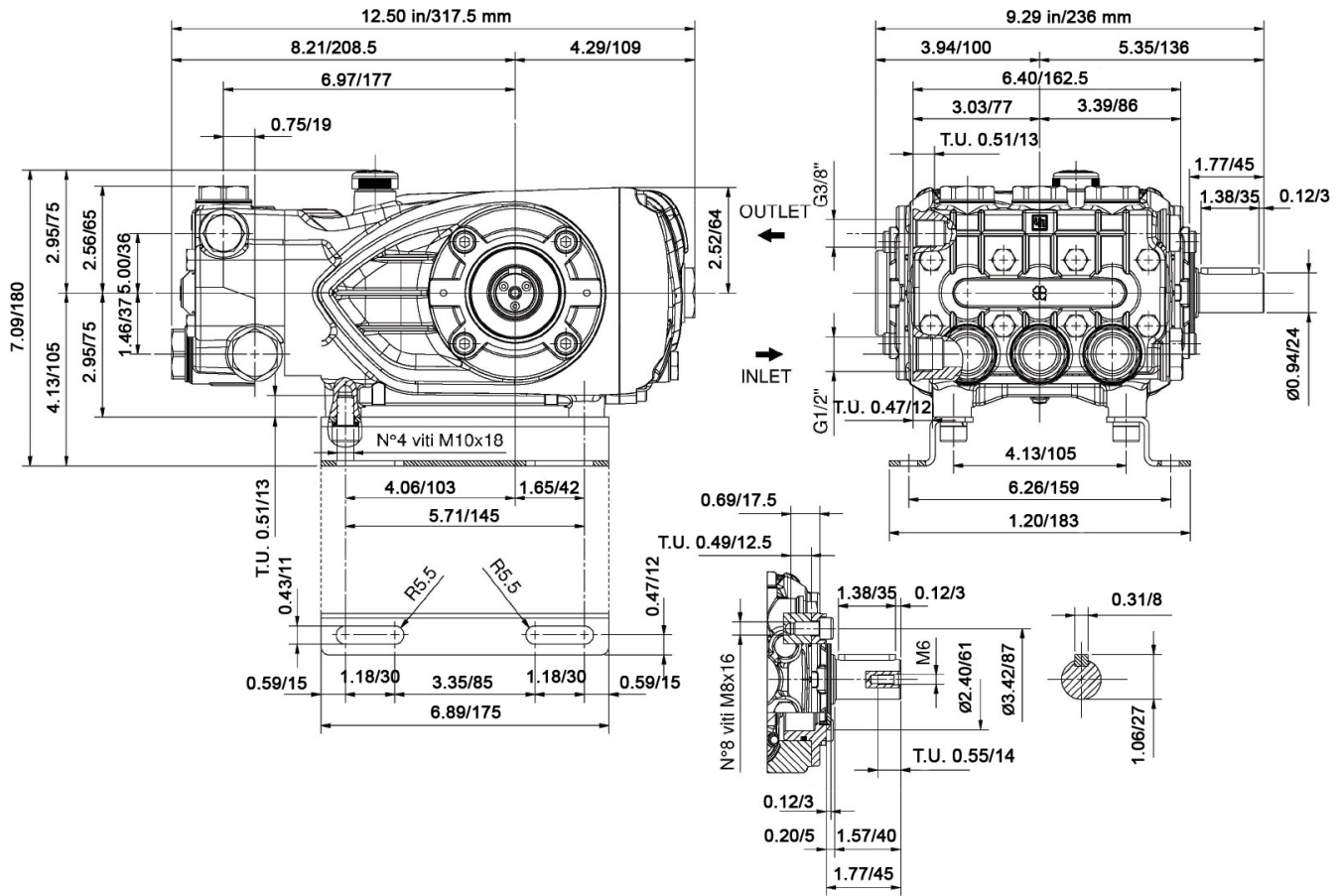
No.	Part No.	Description	Qty.
39.	47151022	Cover, Crankcase	1
40.	97567800	Shim	2
41.	90164800	Seal, Oil	1
42.	90361600	O-ring, Ø34.65 x 1.78	3
43.	47080870	Retainer, Packing	3
44.	90264400	Seal, LP, Ø16	3
45.	47100351	Ring, Head, Ø16	3
46.	47217270	Intermed. Ring, Ø16	3
47.	90264300	Restop Ring, Ø16 x 30 x 7.3/4.0	3
48.	47200074	Pump Feet	2
49.	99364400	Screw, M10 x 18	4
50.	96710600	Washer, M10.2 x 16 x 2.5	4
51.	98217600	Plug, G1/2 x 10	1
52.	96751400	Washer, M21.5 x 27 x 1.5	1
53.	98210000	Plug, G3/8 x 13	1
54.	96738000	Washer, M17.5 x 23 x 1.5	1
55.	90264200	High Pressure Seal, Ø16x30x7/4.0	3

# T Series 47S-16mm x 16 mm

# GENERAL PUMP

A member of the Interpump Group

## DIMENSIONAL DRAWING



## REPAIR KITS

KIT NO.	1	2	3	106	107	108	109	110	111	112
ITEM NO's INCLUDED IN KIT	4,5,6 7,8 (11)	16	41	9, 10	36, 37, 38	45	44, 47, 55	63	42, 43	42, 43, 44, 45, 46, 47, 55
NUMBER OF ASSEMBLIES IN KIT	6	3	2	6	6	3	6	3	1	1
NUMBER OF CYLINDERS KIT WILL SERVICE	3	3	-	3	3	3	3	3	3	1

## TORQUE SPECS\*

Pos.	Ft/lb	N-M
2	22.1	30
10	95.9	130
12	14.7	20
27	7.3	10
29	8.8	12
30	14.7	20
32	14.7	20
38	14.7	20
49	29.4	40
51	29.4	40
53	29.4	40

\* Decrease torque by 20% if threads are lubricated

**WARNING: High Pressure Systems require a primary pressure regulating device (i.e. regulator, unloader) and a secondary pressure relief device (i.e. pop-off valve, relief valve). Failure to install such relief devices properly could result in personal injury or damage to pump or property. GP does not assume any liability or responsibility for the operation of the user's high pressure system.**



WARNING: This product can expose you to chemicals including lead, which is known to the state of California to cause cancer and birth defects or other reproductive harm. For more information, go to [www.P65Warnings.ca.gov](http://www.P65Warnings.ca.gov)