

FEATURES

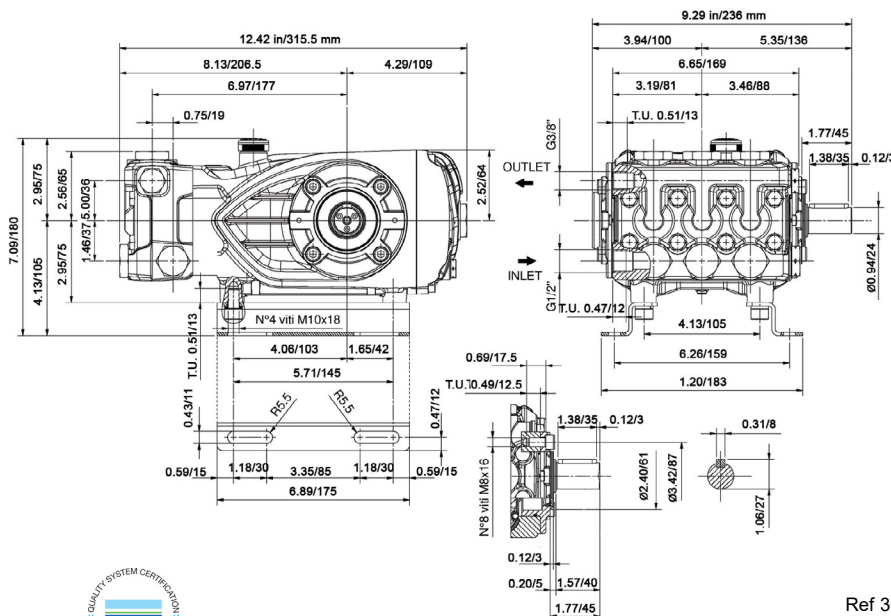
- The preferred pump frame in the pressure cleaning industry
- Forged brass manifold
- Large-capacity, die-cast, anodized aluminum oil-bath crankcase
- Over-sized connecting rods for maximum life
- Heavy-duty tapered roller bearing
- Solid ceramic plungers with continuously lubricated packings
- Unitized stainless steel inlet and discharge valves



SPECIFICATIONS

Pump Model	TS1711	T9211
Maximum Volume	3.5 GPM	4.2 GPM
Maximum Discharge Pressure	2700 PSI	3000 PSI
Maximum Pump Speed	1450 RPM	1750 RPM
Maximum Inlet Pressure	125 PSI	
Maximum Inlet Vacuum	9 ft. water (7.9 in. Hg)	
Plunger Bore	.787 in. / 20 mm	
Plunger Stroke	.394 in. / 10 mm	
Crankcase Oil Capacity	37.2 oz.	
Maximum Fluid Temperature	165° F	
Inlet Port Thread	1/2-14 BSPP-F	
Discharge Port Thread	3/8-19 BSPP-F	
Shaft Diameter	.945 in. / 24 mm	
Weight	32 lbs.	
Dimensions	12.6" x 9.2" x 6.9"	

DIMENSIONAL DRAWING



TRIPLEX

TRIPLEX

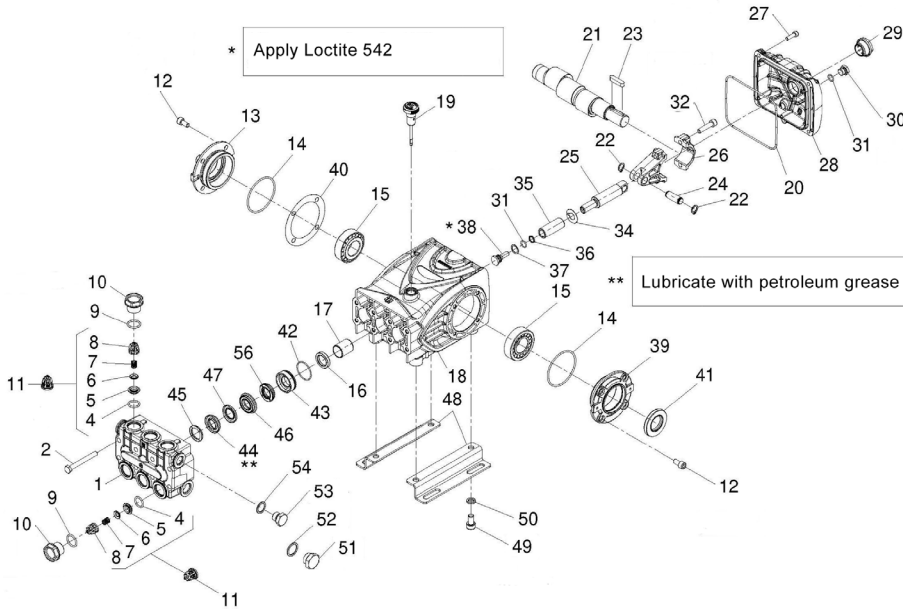


General Pump is a member of the Interpump Group



Ref 300267 Rev. M 12-23





PARTS LIST

ITEM	PART NO.	DESCRIPTION	QTY.	ITEM	PART NO.	DESCRIPTION	QTY.	ITEM	PART NO.	DESCRIPTION	QTY.
1.	47120841	Manifold	1	19.	98210600	Oil Dip Stick	1	39.	47151022	Cover, Crankcase	3
	47120941	Manifold, Ni. Plt. (T9211-N)	1	20.	90392200	O-ring, Cover	1	40.	97567800	Shim	2
2.	99320600	Screw, M8 x 70	8	21.	47021935	Crankshaft	1	41.	90164800	Seal, Oil	1
4.	701115	O-ring, .674 x .10	6	22.	90055700	Ring, Snap	6	42.	90361600	O-ring, Ø 1.364x.070	3
5.	36200366	Seat, Valve	6	23.	640048	Key	1	43.	47080570	Retainer, Packing	3
6.	36200176	Plate, Valve	6	24.	97738000	Pin, Wrist	3	44.	90270500	Packing, Ø 20 mm	3
7.	94737600	Spring	6	25.	47050466	Guide, Plunger	3	45.	47100051	Ring, Head, Ø M20 mm	3
8.	36200251	Guide, Valve	6	26.	47030001	Connecting Rod	3	46.	47216970	Intermed. Ring Ø 20	3
9.	701002	O-ring, Ø.797x.103	6	27.	99188400	Screw, M6x30	5	47.	90270400	Restop Ring Ø20	3
10.	98222000	Cap	6	28.	47160622	Cover, Crankcase	1	48.	47200074	Pump Feet	2
	98222200	Cap, Ni. Plt (T9211-N)	6	29.	97596800	Oil Indicator	1	49.	99364400	Screw, Ø M10 x 18	4
11.	36703201	Valve Assembly	6	30.	98204250	Cap	1	50.	96710600	Washer, Ø M10.2	4
12.	99303900	Screw, M8 x 16	8	31.	701013	O-ring, Ø.426x.070	4	51.	98217600	Cap	1
13.	47151122	Cover, Crankcase	1	32.	99309900	Screw, M8 x 35	6	52.	96751400	Washer, Ø M21.5	1
14.	701147	O-ring, Ø 2.675x.103	2	34.	96728600	Washer, M14	3	53.	98210000	Cap	1
15.	91837500	Bearing, Roller	2	35.	47040409	Plunger, Ø 20 mm	3	54.	96738000	Washer, Ø M17.5	1
16.	90162500	Seal, Oil	3	36.	660067	Ring, Back-up	3	56.	90271000	Seal, Low Press, Ø 20 mm	3
17.	90912600	Bushing	3	37.	96728000	Washer	3				
18.	47010822	Crankcase	1	38.	47219566	Screw, Plunger	3				

REPAIR KITS

KIT NO.	1	2	3	4	5	6	7	10	28	69	71
ITEM NO's INCLUDED IN KIT	4,5,6 7,8 (11)	16	41	9, 10	9, 10	31,34,36 37,38	45	42, 43	42, 43 44, 45 46,47, 56	44, 47 56	46, 47
NUMBER OF ASSEMBLIES IN KIT	6	3	2	6	6	3	6	3	1	3	3
NUMBER OF CYLINDERS KIT WILL SERVICE	3	3	-	3	3	3	3	3	1	3	3

TORQUE SPECS*

Pos.	Ft/lb	Nm
2	22.1	30
10	95.9	130
12	14.7	20
27	7.3	10
29	8.8	12
30	14.7	20
32	14.7	20
38	14.7	20
49	29.4	40
51	29.4	40
53	29.4	40

* Decrease torque by 20% if threads are lubricated

WARNING: High Pressure Systems require a primary pressure regulating device (i.e. regulator, unloader) and a secondary pressure relief device (i.e. pop-off valve, relief valve). Failure to install such relief devices properly could result in personal injury or damage to pump or property. GP does not assume any liability or responsibility for the operation of the user's high pressure system.



WARNING: This product can expose you to chemicals including lead, which is known to the state of California to cause cancer and birth defects or other reproductive harm. For more information, go to www.P65Warnings.ca.gov