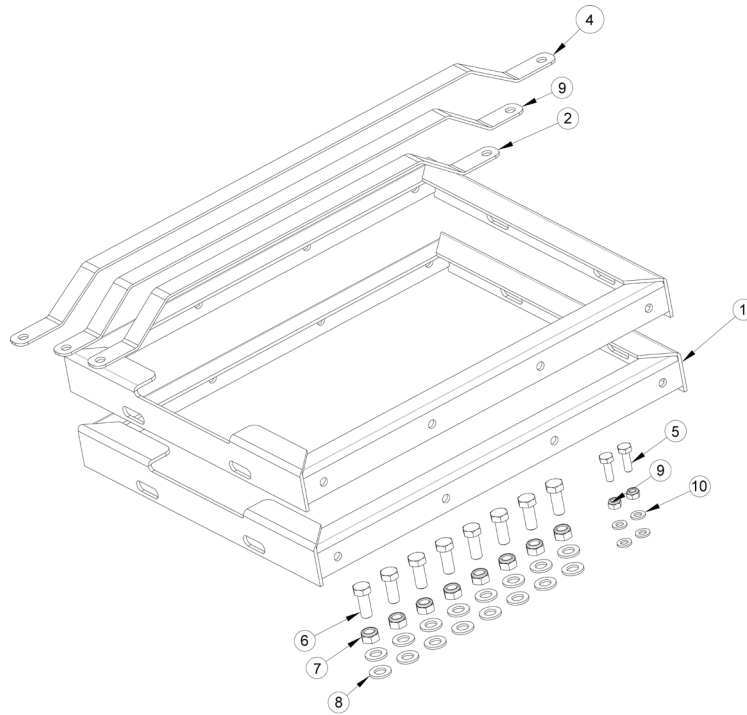




SPECIFICATIONS

- Kit fits all DHRA hose reels (Hose reels not included)
- Stack up to four hose reels high
- Stainless Steel hardware
- Stainless Steel Construction (2100437SS)
- Durable powder coating with solid steel construction (2100437)
- Only stackable with same size hose reels

PARTS LIST

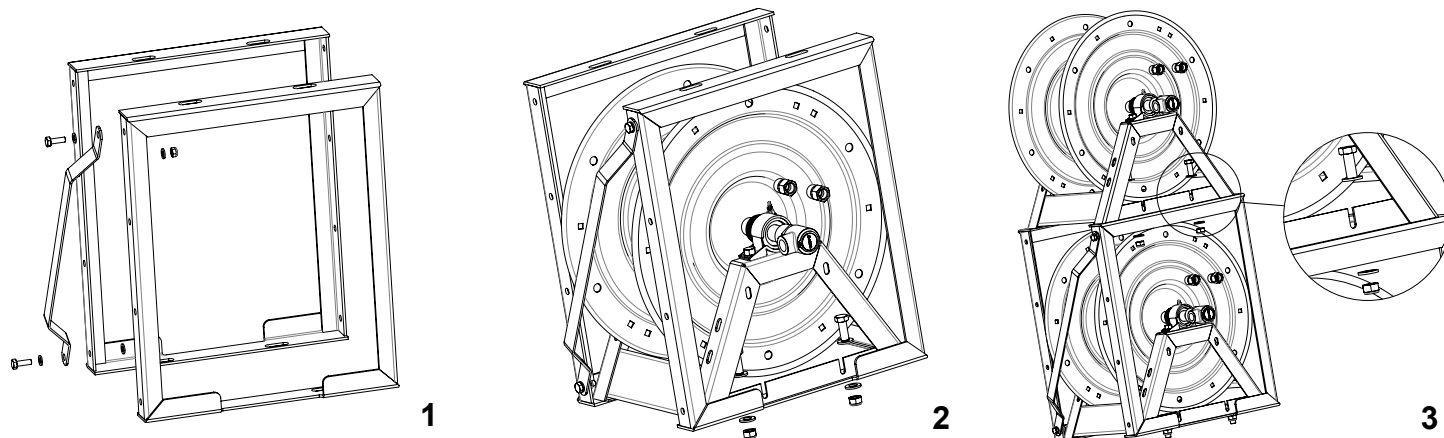


PARTS LIST

No.	Part No.	Description	QTY
1	2103272	ASSY, FRAME, KIT, (2100437)	2
	2103163	ASSY, FRAME, KIT, SS, (2100437SS)	2
2	2540096	BRACE, DIAGONAL, 150 (2100437)	1
	2540197	BRACE, DIAGONAL, 150, SS (2100437SS)	1
3	2540095	BRACE, DIAGONAL, 300, (2100437)	1
	2540198	BRACE, DIAGONAL, 300, SS (2100437SS)	1
4	2540105	BRACE, DIAGONAL, 450 (2100437)	1
	2540199	BRACE, DIAGONAL, 450, SS (2100437SS)	1

No.	Part No.	Description	QTY
5	2200056	HHCS, M8X1.25X25 SST	2
6	2200108	HHCS, M12 X 1.75	8
7	2203019	NUT, M12, NYLOK, SST	8
8	2203418	WASHER, FLAT, M10	16
9	2200053	NUT, M8X1.25, SS	2
10	2200013	WASHER, M8, SS	4

ASSEMBLY / OPERATING INSTRUCTIONS



1) It's easiest if the BRACE is bolted to the ASSEMBLY FRAME first. This kit comes with 3 different sized braces for the 3 different length hose reels. The 150' hose reel uses the shortest brace, the 300' hose reel uses the average length brace and the 450' hose reel uses the longest brace. Do not fully tighten these bolts yet. Use (4) M8 nuts and bolts and (4) M8 washers. Be sure the cutout in the frame is on the bottom

2) Bolt your hose reel to the ASSEMBLY FRAME/BRACE assembly. Use (4) M12 nuts and bolts and (8) M12 washers. Make sure the hose reel outlet (where the hose connects) faces away from the BRACE.

3) Bolt your second hose reel to the ASSEMBLY FRAME/BRACE/HOSE REEL assembly. Again, use (4) M12 nuts and bolts and (8) M12 washers.

4) Go back and tighten the BRACE bolts.

5) If you have three hose reels to stack, set the second ASSEMBLY FRAME on top of the bottom frame, then attach the hose reel to that frame.

6) Repeat step five for stacking four hose reels.

SAFETY / WARNING

SAFETY PRECAUTIONS

1. Make sure incoming pressure does not exceed the rated pressure.
2. Use proper eye protection when assembling and using hose reels.
3. Assemble the hose reel kit on a clean workbench free of debris and moisture.
4. Use soap and water when checking for air leaks.
5. Keep children away from work area.

WARNING!

Exposure of skin directly to pressurized air or fluids could result in severe bodily injury!