

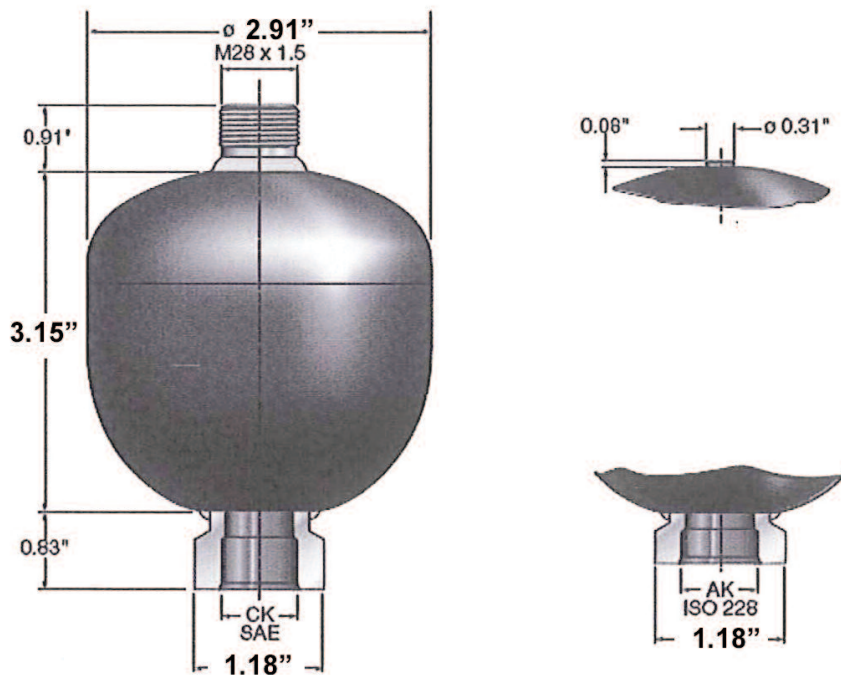


SPECIFICATIONS

| | |
|--------------------|-------------------|
| Part Number: | 686011 |
| Maximum Volume | to 10 GPM |
| Maximum Pressure | 3000 PSI |
| Factory Pre-Charge | 450 PSI Air |
| Port Size: Inlet | 1/2" NPT-M |
| Dimensions: | 4.69" L x 2.91" |
| Weight: | 2.5 lb. |
| Materials: | Steel, Zinc Plate |

Check accumulator every three months to see that it is properly charged.

DIMENSIONS



General Pump
is a member of
the Interpump Group

Ref 300912 Rev B
01-18

