

*Shown in right hand configuration.
Designate "L" when ordering.
EX: EWM1815SL

FEATURES

- 316 Stainless Steel fluid end for superior corrosion protection
- Designed for use in salt water applications
- Solid ceramic plungers with advanced surface finish assure durability and longevity.
- Compact design offers solutions to space limitations
- Nickel-plated crankcase
- .945 in./24 mm Solid Shaft
- Reduces chance of galling

SPECIFICATIONS

Pump Model	EWM1815S	EWM2515S	EWM4215S
Maximum Volume	1.8 GPM	2.5 GPM	4.2 GPM
Maximum Discharge Pressure	1,500 PSI		
Maximum Pump Speed	1750 RPM		
Rated Inlet Pressure	125 PSI		
Plunger Bore (in / mm)	.709/18 mm		
Plunger Stroke (in / mm)	.236 in/6 mm	.315 in/8 mm	.484 in/12.3 mm
Crankcase Oil Capacity	8.5 oz.		
Maximum Fluid Temperature	185° F		
Inlet Port Thread	1/2" NPT-F		
Discharge Port Thread	3/8" NPT-F		
Shaft Diameter	.945 in./24 mm		
Weight	13.2 lbs.		
Dimensions	7.9" x 8.2" x 3.8"		



General Pump
is a member of
the Interpump Group



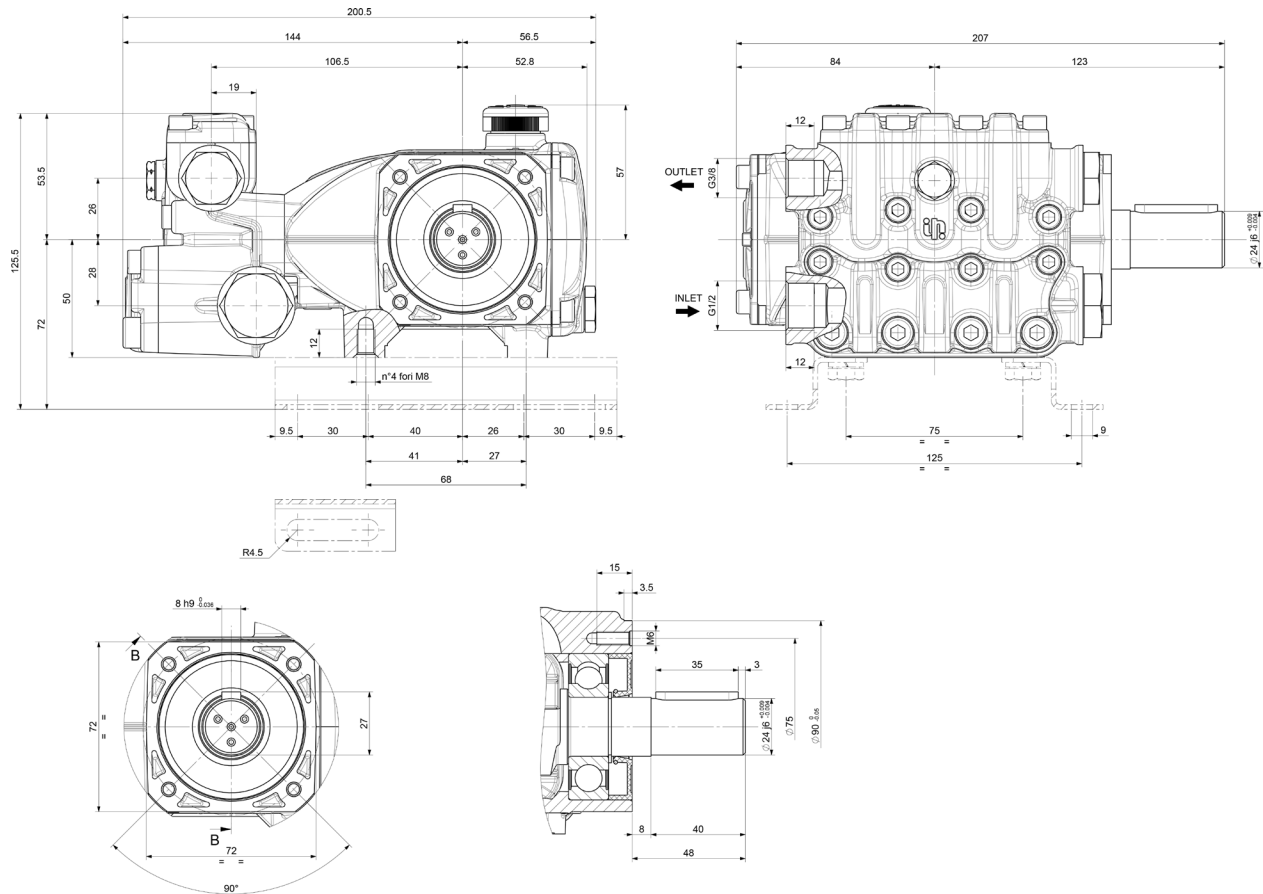
EWM Series

24 mm Solid Shaft

GENERAL PUMP *A member of the Interpump Group*

NOVEMBER 2022 and LATER

DIMENSIONAL DRAWING



SAFETY PROCEDURE & WARNINGS



WARNING: High Pressure Systems require a primary pressure regulating device (i.e. regulator, unloader) and a secondary pressure relief device (i.e. pop-off valve, relief valve). Failure to install such relief devices properly could result in personal injury or damage to pump or property. GP does not assume any liability or responsibility for the operation of the user's high pressure system.



During use, never exceed the maximum values of pressure, flow rate and temperature as stated in this document.



Maintenance and repair must be carried out by qualified and authorized staff only. Replace the filter parts with original spare parts only.



From time to time, it is necessary to check that the parts which are under pressure do not show cracks and/or leakages; the frequency of this check depends on the actual use. Inspect and clean the screen regularly.



WARNING: This product can expose you to chemicals including lead, which is known to the state of California to cause cancer and birth defects or other reproductive harm. For more information, go to www.P65Warnings.ca.gov

EWM Series

24 mm Solid Shaft

GENERAL PUMP A member of the Interpump Group

NOVEMBER 2022 and LATER

PARTS LIST

Item	Part #	Description	QTY.
1	53123936	Manifold, Ø 18	1
2	36202551	Valve Cage	3
3	94737300	Spring, 9.4x14.8mm, SS	3
4	36200176	Spherical Valve	3
5	36203666	Valve Seat, SS	3
6	701115	O-ring, Ø17.13x2.62	6
7	36713001	Valve Assembly	3
8	53212556	Inlet Valve Plug	3
9	53212336	Inlet Valve Plate	3
10	99169000	Plunger Bolt, M5x55	3
11	96690500	Washer, Ø 5x11.5x0.4	3
12	63040509	Plunger, Ø 18x38.5	3
13	90367400	O-ring, Ø15.60x1.78	3
14	53211166	Valve Seat	3
15	36211276	Poppet Valve, Outlet	3
16	94733300	Spring, Ø6.8x10.8	3
17	36211151	Valve Cage, Outlet	3
18	36724501	Valve Assembly	3
19	36217851	Outlet Valve Plug	
20	53212436	Outlet Valve Plate	
21	99199200	Screw, M6x60	8
22	90221000	Seal, HP, HT, 18 X 28 X 10	3
23	53210956	Seal Case, 18MM,	3
24	90220000	Seal, LP, 18.0x22.5	3
25	90360400	O-Ring, Ø 25.12x1.78	3
26	520063	Plug, 3/8"-18 NPT (OPTIONAL, not included)	3
27	520062	Plug, 1" NPT (OPTIONAL, not included)	1
28	96699000	Washer, Ø 7.5x23x.5	3
29	53210382	Gasket, Ø 3.0x85	1
30	53010122	Crankcase Housing, EWM	1
31	58210451	Cover, Drip	1

Item	Part #	Description	QTY.
32	90159300	Oil Seal, Ø18x24x4	3
33	53050166	Plunger Guide	3
34	97733800	Wrist Pin, Ø10x26.5	3
35	53030022	Connecting Rod	3
36	53150122	Cover, Case	18
37	99183800	Screw, M6x14	8
38	53210851	Oil Sight Glass	1
39	90385900	O-ring, Ø25.07x2.62	1
40	60020465	Crankshaft, EWM1815S	1
	60020965	Crankshaft, EWM2515S	1
	53021135	Crankshaft, EWM4215S	1
41	91832800	Crankshaft Bearing	1
42	90389800	O-ring, Ø56.82x2.62	2
43	90164100	Ring, Ø25.0x62.0x10.0	1
44	91489200	Tab, 8.0x7.0x35.0	1
45	98210800	Dipstick, G3/8"x45	1
46	90391700	O-ring, Ø88.57x2.62	1
47	53160122	Back Cover	1
48	98204000	Plug, G1/4"x9	1
49	90358500	O-ring, Ø10.82x1.78	1
50	53211056	Support, Ring, 18MM	3
51	90385900	O-ring, Ø25.07x62, NBR 70SH 3100	1
52	90067100	Stop Ring, ZJ30	1
53	99186800	Screw, M6x18	6
54	90514650	Anti-extrusion Ring, Ø 22.4x18.3x1.5	3
55	90509300	Anti-extrusion Ring, Ø 16.4x13.2x1.3	3
56	99199830	Screw, m6x75	4
57	99305800	Screw, M8x20	4
58	98196500	Plug, G1/8x8	1
59	99303700	Screw, M8x16	4
60	96701600	Washer, Ø8.4x14.4x2.0	4
61	50200074	Pump Foot	2

REPAIR KITS

KIT NO.	K341	K334	K311	K382	K384
ITEM NO'S INCLUDED IN KIT	2, 3, 4, 5, 6, (7)	13, 14, 15, 16, 17 (18)	32	22, 24, 25	22, 23, 24, 25
NUMBER OF ASSEMBLIES IN KIT	3	3	3	3	1

TORQUE SPECS*

ITEM	Ft-lbs	Nm
10	4.4	6
21	8.9	12
26	30	40
27	29.5	40
37	7.4	10
48	17.4	20
53	8.9	12
56	8.9	12
57	22.1	30
58	9.6	13

*Decrease torque by 20% if threads are lubricated.

