

# Swivel Coupling

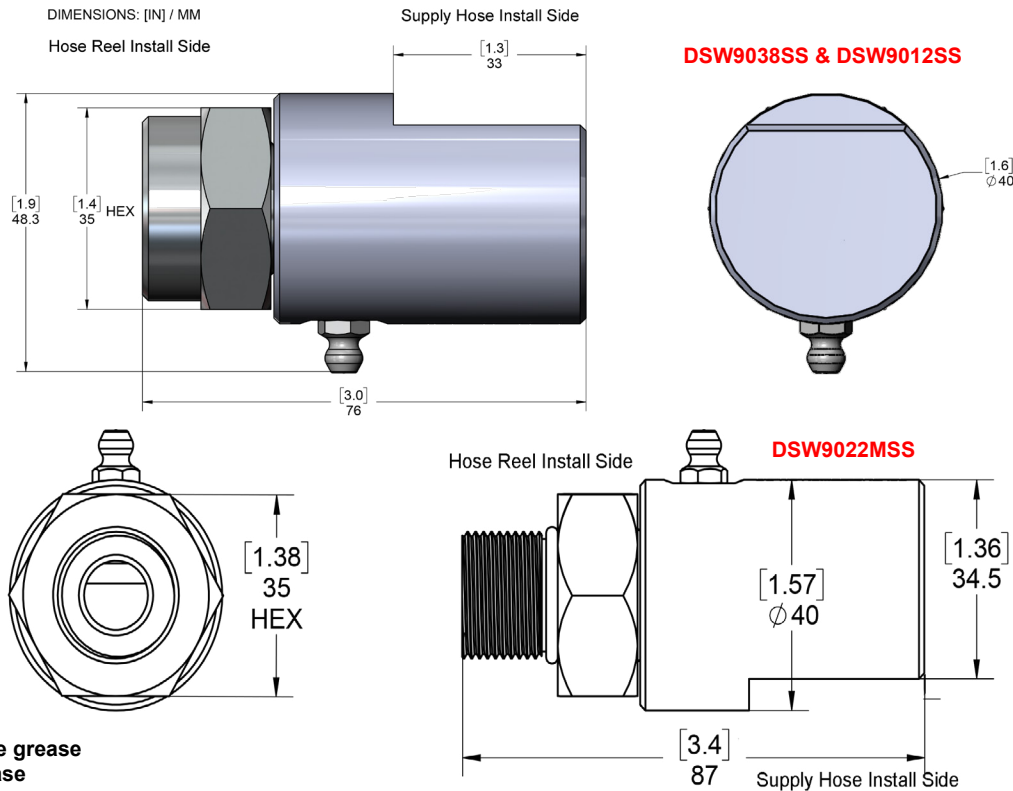
*Stainless Steel*



## SPECIFICATIONS

Part Number	DSW9038SS	DSW9012SS	DSW9022MSS
Inlet	3/8" NPT-18	1/2" NPT-14	M22-1.5
Outlet	3/8" NPT-18	1/2" NPT-14	1/2" NPT-14
Max. Pressure	5,000 PSI	5,000 PSI	5,000 PSI
Max. Temp	250° F	250° F	250° F
Through Hole	1/2"	1/2"	1/2"
Dimensions	3" x Ø1.6"	3" x Ø1.6"	3" x Ø1.6"
Weight	17.5 oz	17.5 oz	17.5 oz
Materials	Stainless Steel, Viton, Teflon		

## DIMENSIONS



- Notes:
1. Use only silicone grease
  2. Do not over grease

## WARNINGS



**WARNING:** High Pressure Systems require a primary pressure regulating device (i.e. regulator, unloader) and a secondary pressure relief device (i.e. pop-off valve, relief valve). Failure to install such relief devices properly could result in personal injury or damage to pump or property.  
 GP does not assume any liability or responsibility for the operation of the user's high pressure system.

**CAUTION:** When using hardened NPT fittings DO NOT over tighten, over-tightening can result in a cracked swivel or fitting.

During use, never exceed the maximum values of pressure, flow rate and temperature as stated in this document.

Maintenance and repair must be carried out by qualified and authorized staff only. Note: This product is not serviceable.

From time to time, it is necessary to check that the parts which are under pressure do not show cracks and/or leakages; the frequency of this check depends on the actual use.



General Pump is a member of the Interpump Group

