

Fixed Chemical Injector

Stainless Steel Body and Nozzle

FEATURES

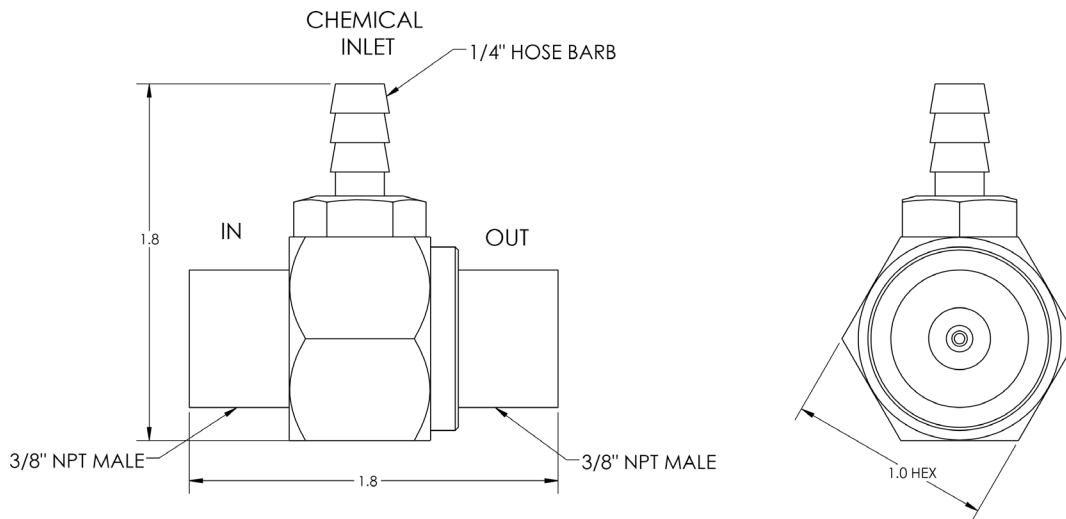
- Designed specifically for carwash applications
- Made in the USA
- A cost effective solution to your chemical application needs



SPECIFICATIONS

MODEL	100996	101004	101086	100075	100093	100074	100076
Orifice	1.04 mm	1.30 mm	1.35 mm	1.45 mm	2.10 mm	2.20 mm	2.50 mm
Flow Rate	1.0 - 2.0 GPM				2.0 - 4.0 GPM	3.0 - 5.0 GPM	5.0 - 8.0 GPM
O-Ring Material	Viton			EPDM			
Inlet	3/8" NPT-M						
Outlet	3/8" NPT-M						
Max. Pressure	5,500 PSI						
Max. Temp.	190° F						
Hose Barb	1/4"						
Weight	.4 lbs.						
Materials	316 SS, , EPDM/Viton						

DIMENSIONS



Fixed Chemical Injectors

SS Body and Nozzle

GENERAL PUMP A member of the Interpump Group

INSTALLATION

This product is to be used with clean, fresh water. For different or corrosive liquids, contact GP Technical Service Department. With not clean liquids, appropriate filtration should be installed. Select the injector based on the nominal operating rating: system rated pressure, max flow and max temperature. Install valve with direction arrow pointing downstream. For proper operation a control device such as a dual lance wand, quick couple nozzles, or an adjustable nozzle holder must be used to lower the system pressure at the nozzle.

Under no circumstances should the pressure of the system exceed the maximum rated pressure of any component.

TROUBLESHOOTING

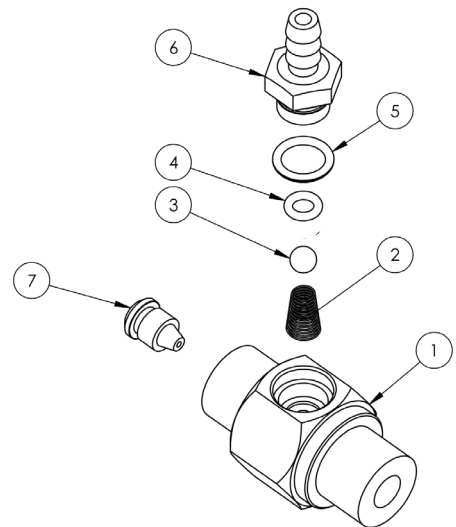
PROBLEM	CAUSE	SOLUTION
Injector will not draw liquid	Incorrect nozzle System is not in low pressure mode Discharge hose is too long Chemical line is clogged	Check and change nozzle Change or adjust nozzle to put system in low pressure mode Reduce length of discharge hose or change injector* Clear chemical line of obstruction
Rate of draw seems too slow	Discharge hose is too long Air leak in chemical line Chemical is too viscous	Reduce length of discharge hose or change injector* Locate and repair leak Reduce chemical with water to decrease its viscosity
Chemical injector is leaking from hose barb	Obstruction in hose barb check valve Damaged o-ring in check valve	Disassemble and remove obstruction Remove and replace o-ring
Excessive pressure load on pump, motor or engine	Clogged injector Improperly sized injector orifice	Clear injector orifice of obstruction Change orifice*
*Contact GP Technical Service for Assistance		

PARTS LIST

For 100074, 100075, 100076, 100093, 101086 Injectors

Item	Part Number	Description	QTY.
1	Item A	Housing Injector	1
2*	720040	Spring, Conical, .437FL, 316 SS	1
3*	520008	Ball, 7/32, 316 SS	1
4*	701059	O-Ring, 50 DURO, EPDM, .176 ID x .070 CS	1
5*	701012E	O-Ring, 70 DURO, EPDM, .364 ID x .070 CS	1
6*	520122	Hose Barb, Injector, Threaded	1
7	Item B	Nozzle, Injector	1
*	100641	Repair Kit	

Part Number	"Item A" Body P/N	Body Hole Dia.	"Item B" Nozzle P/N	Nozzle Hole Dia.
100074	520119	.116	520065	.086
100075	520120	.076	520072	.057
100076	520121	.150	520073	.098
100093	520119	.116	520066	.083
101086	520119	.116	520398	0.53



Fixed Chemical Injectors

SS Body and Nozzle

GENERAL PUMP A member of the Interpump Group

PARTS LIST CONT.

For 100996 & 101004 Injectors

Item	Part Number	Description	QTY.
1	"Item A"	Housing, Injector	1
2*	720040	Spring, Conical, .437FL, 316 SS	1
3*	520008	Ball, 7/32, 316 SS	1
4*	701032	O-Ring, 50 DURO, VITON, .176 ID x .070 CS	1
5*	701050	O-Ring, 70 DURO, VITON, .364 ID x .070 CS	1
6*	520122	Hose Barb, Injector, Threaded	1
7	"Item B"	Nozzle, Injector	1
*	100464	Repair Kit	

Part Number	"Item A" Body P/N	Body Hole Dia.	"Item B" Nozzle P/N	Nozzle Hole Dia.
100996	520120	.076	520361	.041
101004	520120	.076	520363	.051

