

## Industrial Hand Carry Hose Reel Frame



### SPECIFICATIONS

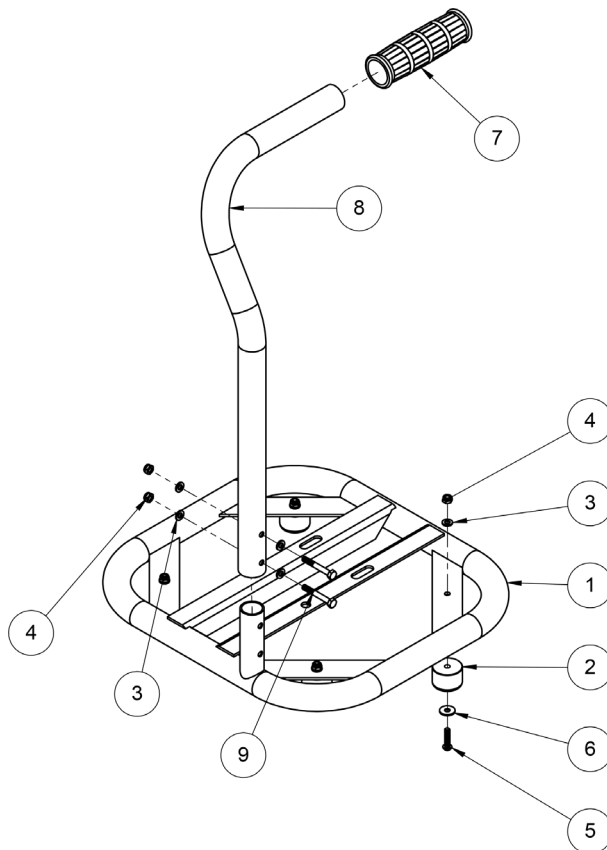
Compatible with the following GP hose reels:
D30001
D30002
D30004
D30006
DHR50100
DHR50150
DHR50150SS

### FEATURES / BENEFITS

- Robust stainless steel frame
- Ergonomic cushioned handle for easy lifting
- Two piece design for easy storage and assembly
- Durable rubber foot pads

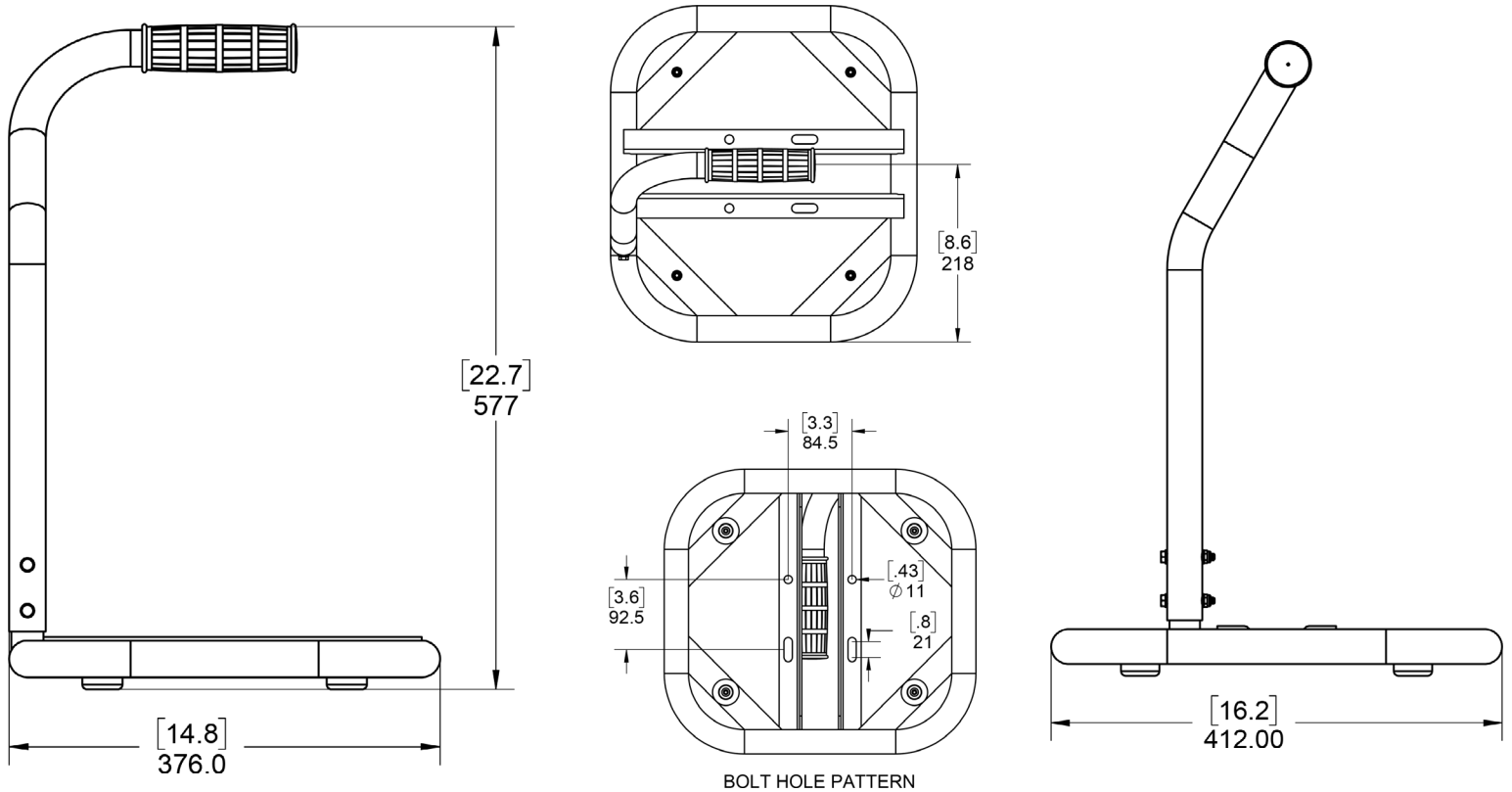
### PARTS LIST

No.	PART No.	DESCRIPTION	QTY
1	2103155	FRAME KIT, HAND CARRY, SS	1
2	2702104	RUBBER FOOT, M6	4
3	2200018	WASHER, M6	8
4	2200026	NUT, NYLOK, M6	6
5	2200165	BUTTON SCREW, M6X25, SS	4
6	2203436	WASHER, M6, 18, SS	4
7	2660216	HANDLE GRIP, Ø 32 MM	1
8	2550266	HANDLE, COLLAPSIBLE HAND CARRY, SS	1
9	2200167	HHCS M6X1X45 SS	2
<b>REPLACEMENT PARTS / KITS</b>			
7	2660216	HANDLE GRIP, Ø 32 MM	1



**Industrial Hand Carry Hose Reel Frame**

**DIMENSIONS [IN] MM**




**SAFETY PRECAUTIONS**

1. Make sure incoming pressure does not exceed the rated pressure.
2. Use proper eye protection when assembling and using the hose reel.
3. Assemble the hose reel on a clean workbench free of debris and moisture.
4. Keep children away from work area.

**WARNING!**

*Exposure of skin directly to pressurized air or fluids could result in severe bodily injury!*

 WARNING: This product can expose you to chemicals including lead, which is known to the state of California to cause cancer and birth defects or other reproductive harm. For more information, go to [www.P65Warnings.ca.gov](http://www.P65Warnings.ca.gov)