



SPECIFICATIONS

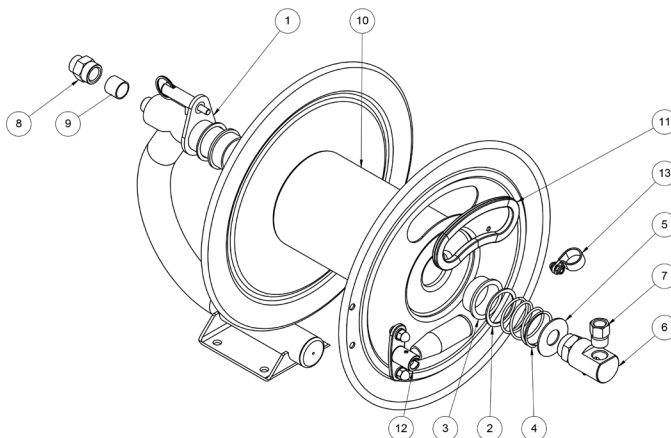
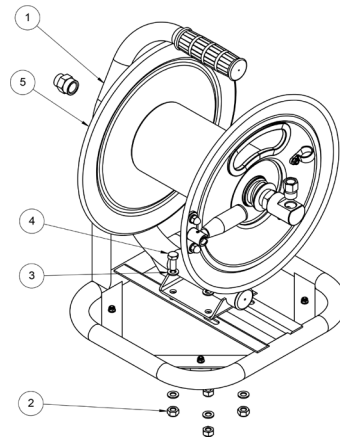
PART NUMBER	DHRHC50150SS
3/8" Hose Capacity	150 ft.
Pressure Rating	5,000 PSI
Inlet	1/2" NPT-M
Outlet	1/2" NPT-F
Max. Temp	250° F
Weight	23.35 lbs

FEATURES / BENEFITS

- Direct hand-crank rewind with locking pin
- Stainless steel construction
- 150' Capacity for 3/8" hose
- 5,000 PSI
- Stainless steel swivel

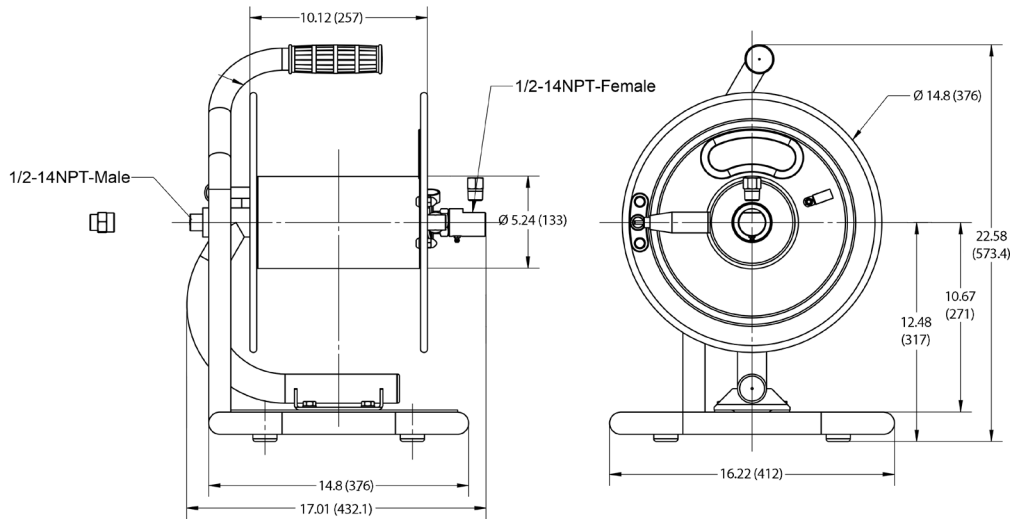
PARTS LIST

DHRHC50150SS PART LIST			
No.	Part No.	Description	Qty.
1	2103152	Frame Kit, Hand Carry, SS	1
2	2203017	Nut, M10, Nylok, SST	4
3	2203413	Washer, Flat, M10	8
4	2200166	Bolt, M10X25, SS	4
5	DHR50150SS	Hose Reel, 1/2"x150', SS	1
Replacement Parts / Kits			
1	2100580	Collapsible Frame Kit, SS	1
5	DHR50150SS	Hose Reel, 1/2"x150', SS	1
	2660216	Handle Grip, Ø 32 mm	1

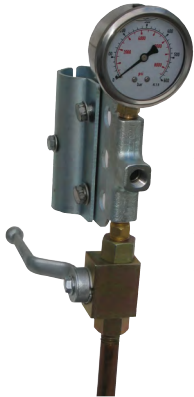


DHR50150SS PARTS LIST			
No.	Part No.	Description	Qty.
1	2103169	Arm Assy, 150' SS	1
2	2203415	Washer	2
3	2530025	Bushing	2
4	2720043	Spring, ID 44, SS	1
5	2203438	Washer, Swivel, SS	1
6	DSW9012SS	Swivel, 1/2" NPT-F Ball Bearing	1
7	2520227	Adapter, 1/2"NPT-M X 3/8"NPT-F, SS	1
8	2520247	Adapter, 1/2" NPT-F X 3/8"NPT-F	1
9	2660335	Cap, G1/2"	1
10	2103165	Flange Plate Assy, SS	1
11	2702106	Hose Guard, 150'	1
12	2103167	Handle Kit, Folding, Brass	1
13	2103237	Assy, Clamp, Hose	1
Replacement Parts / Kits			
6	DSW9012SS	Swivel, 1/2" NPT-F Ball Bearing	1
	2103170	Pin Lock Kit, SS	

DIMENSIONS (in/mm)

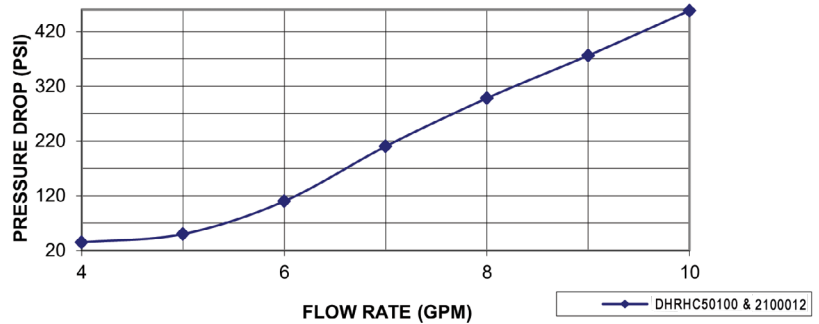


OPTIONAL ACCESSORIES



- Glycerin Filled Gauge
- Full Flow Ball Valve
- 5000 PSI
- 1/4" NPT-F Inlet
- 1/4" NPT-F Outlet

PRESSURE DROP: DHRHC50100 & 2100012



****NOTE:** 2100012 is an optional hardware kit.

1. Clamp the hardware kit to the hose reel handle with the two M8 bolts.
2. Use thread sealant (not provided) and the supplied fittings/adapters as needed to connect an inlet hose (not provided) to the hardware kit inlet.
3. Use thread sealant on the hose reel pigtail and connect to the hardware kit outlet.
4. The hardware kit may be used to turn flow on or off to the hose reel and to monitor pressure and flow in the hose reel.
5. Two different length U-bolts are supplied with the hardware kit for attaching the hose reel as needed to a truck or cart.

SAFETY PRECAUTIONS

1. Make sure incoming pressure does not exceed the rated pressure.
2. Use proper eye protection when assembling and using the hose reel.
3. Assemble the hose reel on a clean workbench free of debris and moisture.
4. Keep children away from work area.

WARNING!

Exposure of skin directly to pressurized air or fluids could result in severe bodily injury!

WARNING: High Pressure Systems require a primary pressure regulating device (i.e. regulator, unloader) and a secondary pressure relief device (i.e. pop-off valve, relief valve). Failure to install such relief devices properly could result in personal injury or damage to pump or property. GP does not assume any liability or responsibility for the operation of the user's high pressure system.



WARNING: This product can expose you to chemicals including lead, which is known to the state of California to cause cancer and birth defects or other reproductive harm. For more information, go to www.P65Warnings.ca.gov