

**SPECIFICATIONS**

Part Number:	100998 & 100999	
Operating Pressure Range:	(100998) 250-1000 PSI	(100999) 900-2000 PSI
Maximum Pressure:	2000 PSI	
Maximum Flow:	13.0 GPM	
Temperature:	190° F	
Port Sizes:	Inlet	3/8" NPT-F
	Outlet	1/2" NPT-F
Dimensions:	7.5" (nom) x 1.86"	
Weight:	2.0 lbs.	
Material:	Stainless Steel, Viton, PTFE	

**FEATURES**

- **Accuracy** - Maintains pressure to within 5% of setting - even with multiple guns!
- **Dual Function** - Regulates pressure and absorbs pulsation in the system
- **Simplicity** - The dual function often eliminates the need for an accumulator
- **High Operating Temperature** - to 190° F

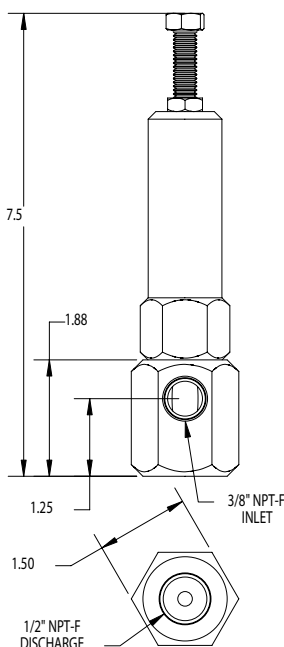
**APPLICATIONS**

- Full and self-service wash
- Power washing
- Multiple drop, multiple gun installations
- Most applications where discharge volume is fixed

**DIMENSIONS**

**Note:** Proper operation requires 10% of system flow be bypassed through the QR2013.

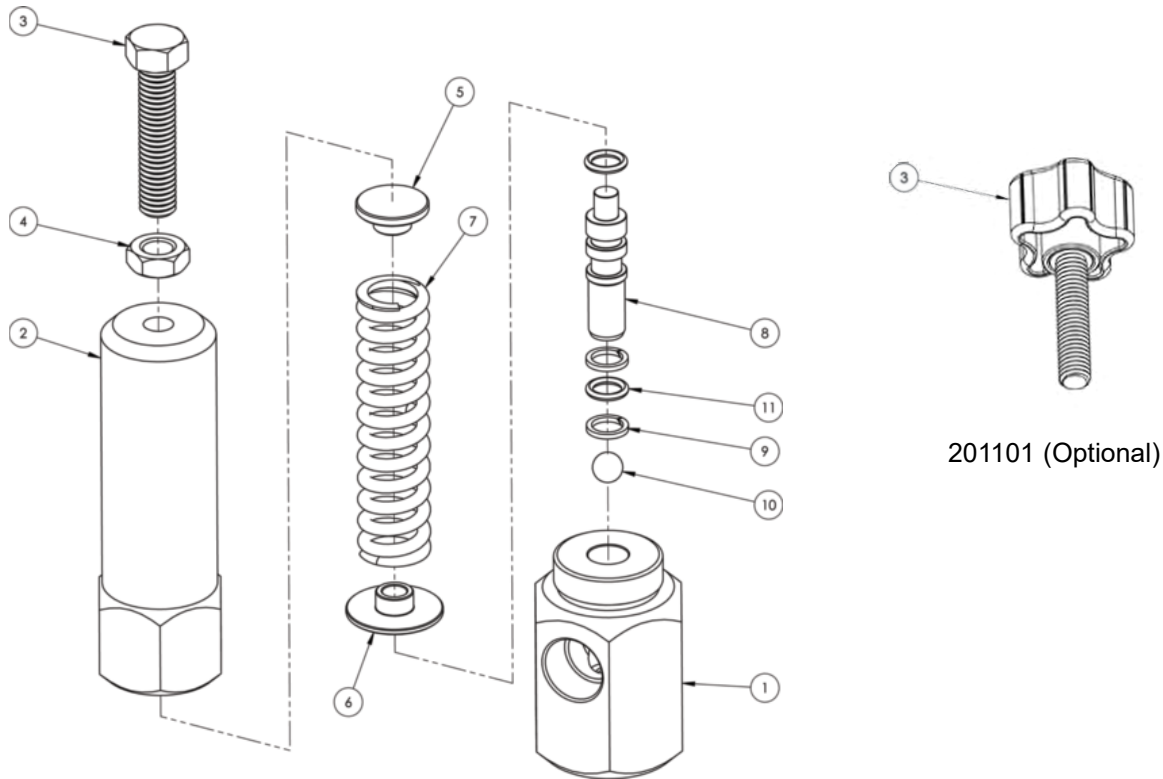
**Example:** 5 GPM system should bypass .5 GPM.



General Pump  
is a member of  
the Interpump Group



**PARTS LIST**



No.	Part No.	Description	QTY.
1	520365	BODY, 1/2NPTX3/8NPT	1
2	520369	SPRING CAP, QR2013	1
3	201057	HHCS, 3/8"-16	1
4	201058	HEX NUT, 3/8-16, 316SS	1
5	520368	SPRING PLATE, UPPER QR2013	1
6	520367	SPRING PLATE, LOWER	1
7	720067	SPRING (100998)	1
	720068	SPRING (100999)	
8*	520366	PISTON	1
9*	660242	BACKUP RING	2
10*	640016	BALL	1
11*	701011V70	O-RING	2
<b>Replacement Parts / Kits</b>			
*	101017	REPAIR KIT	
3	201101	KNOB	1

**WARNING:** High Pressure Systems require a primary pressure regulating device (i.e. regulator, unloader) and a secondary pressure relief device (i.e. pop-off valve, relief valve). Failure to install such relief devices properly could result in personal injury or damage to pump or property. GP does not assume any liability or responsibility for the operation of the user's high pressure system.