

GENERAL PUMP

A member of the Interpump Group

D50001

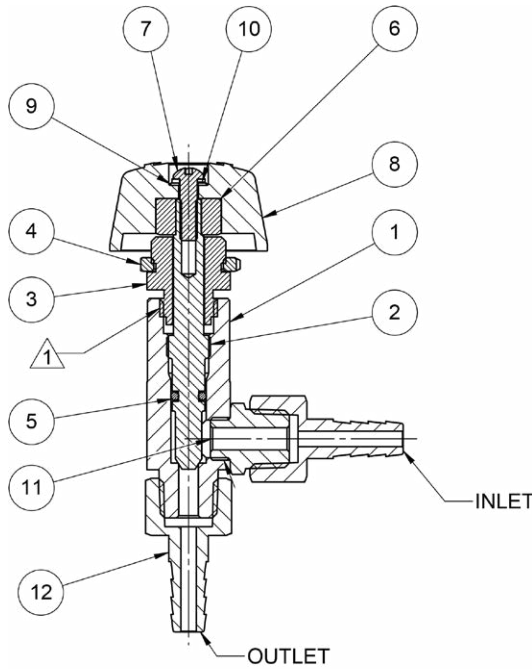
Chemical Metering Valve



SPECIFICATIONS

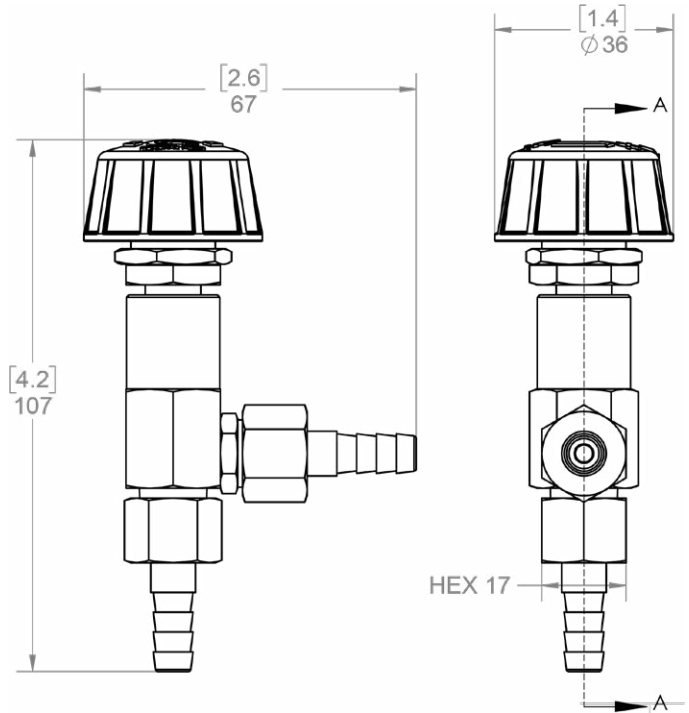
Part Number	D50001
Maximum Flow	2.6 GPM
Maximum Pressure	400 PSI
Maximum Temperature	105° F
Ports Sizes:	Inlet 1/4" NPT-M Outlet 1/4" NPT-M Hose Barbs 8 mm (5/16")
Dimensions	4.2" x 2.6" x 1.4"
Weight	0.6 lb.
Materials	Brass, Stainless Steel, Viton, ABS

PARTS LIST



No.	Part No.	Description	Qty.
1	2510105	BODY	1
2	2510106	STEM	1
3	2510107	CAP, STEM	1
4	2203006	NUT, JAM, M17X1	1
5	2701027	O-RING, 4.50X1.80, FKM70	1
6	2510110	INSERT, KNOB	1
7	2200066	SCREW, M4X14, SS	1
8	2660122	KNOB	1
9	2203437	WASHER, M4, SS	1
10	2203506	WASHER, LOCK	1
11	2510320	FITTING, HOSE BARB	1
12	2510108	HOSE BARB, 8MM	2

DIMENSIONS



General Pump is a member of the Interpump Group

