

**GENERAL PUMP** A member of the Interpump Group

# CW Series 69

30 mm bore - Triplex Plunger Pump

**FEATURES**

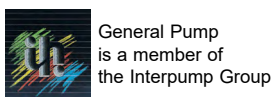
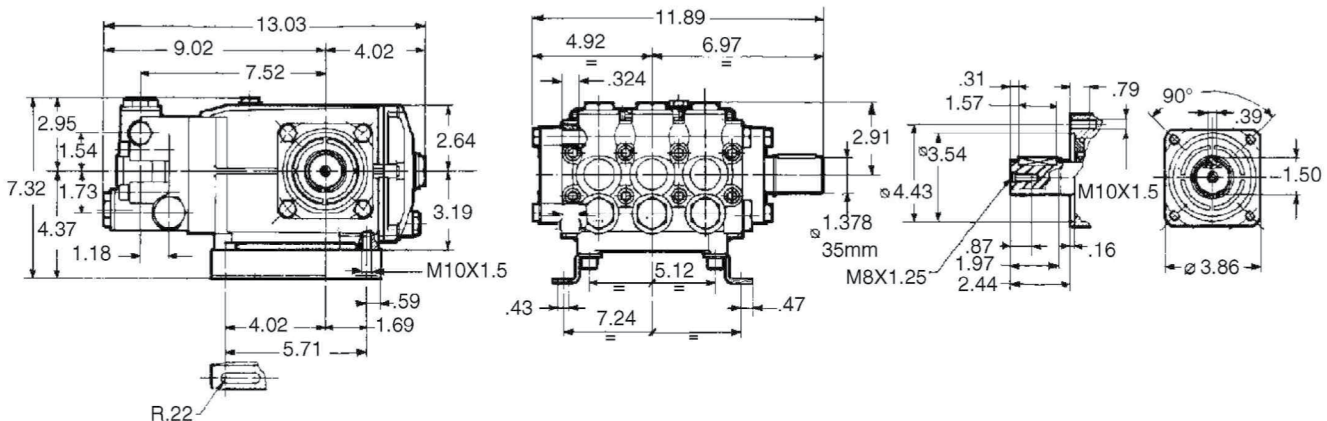
- The preferred pump frame in the two-gun prep conveyor and tunnel car wash industry
- Forged brass manifold
- Large-capacity, die-cast , anodized aluminum oil-bath crankcase
- Over-sized connecting rods for maximum life
- Heavy-duty tapered roller bearing
- Solid ceramic plungers with continuously lubricated packings
- Unitized stainless steel inlet and discharge valves
- Available in left-handed "L" version



**SPECIFICATIONS**

Pump Model	CW1012
Maximum Volume	10.0 GPM / 12.0 GPM
Maximum Discharge Pressure	1200 PSI / 1000 PSI
Maximum Pump Speed	750 RPM / 900 RPM
Maximum Inlet Vacuum	2 ft. water (1.8 in. Hg)
Bore	1.18 in. / 30 mm
Stroke	.946 in. / 24 mm
Crankcase Oil Capacity	50.7 oz.
Maximum Fluid Temperature	165° F
Inlet Port Thread	3/4-14 BSPP-F
Discharge Port Thread	3/8-19 BSPP-F
Shaft Diameter	1.378 in. / 35 mm
Weight	45 lbs.
Dimensions	13.0" x 11.9" x 7.3"

**DIMENSIONAL DRAWING**

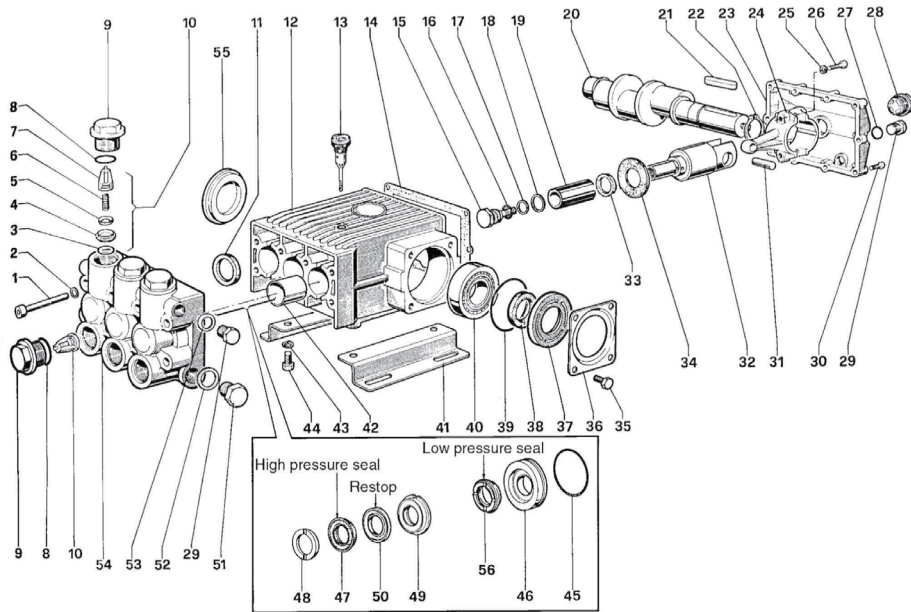


Ref 300324 Rev. L  
09-22



# CW1012

## GENERAL PUMP A member of the Interpump Group



### SPECIFICATIONS

Item	Part No.	Description	Qty	Item	Part No.	Description	QTY	Item	Part No.	Description	QTY
1.	99380100	Screw	8	20.	69020535	Crankshaft	1	39.	90413100	O-ring	2
2.	96710400	Washer	8	21.	91496900	Key	1	40.	91848100	Bearing	2
3.	90385900	O-ring	6	22.	90069500	Cir-clip	1	41.	47200074	Foot	2
4.	36201766	Valve Seat	6	23.	69160022	Crankcase Cover	1	42.	90916200	Bushing	3
5.	36201876	Valve	6	24.	69030301	Connecting Rod	3	43.	96710600	Washer	4
6.	94739400	Spring	6	25.	96701400	Washer	6	44.	99364400	Screw	4
7.	36200851	Valve Guide	6	26.	99309900	Screw	6	45.	701133	O-ring	3
8.	90405100	O-ring	6	27.	90383300	O-ring	1	46.	69080070	Packing Retainer	3
9.	98231200	Cap	6	28.	97596800	Indicator	1	47.	90277000	Packing	3
10.	36706001	Valve Ubit	6	29.	98210000	Cap	2	48.	69100051	Head Ring	3
11.	90165600	Seal	3	30.	99186700	Screw	9	49.	69216770	Intermediate Ring	3
12.	69010022	Cover	1	31.	97739800	Plunger Pin	3	50.	90277400	Ring	3
13.	98210600	Oil Dipstick	1	32.	69050354	Plunger Guide	3	51.	98226500	Cap	1
14.	69211984	Gasket	1	33.	69211470	Spacer	1	52.	96770000	Washer	1
15.	69219566	Plunger Bolt	3	34.	96756500	Slinger	3	53.	96738000	Washer	1
16.	90384100	O-ring	3	35.	99363600	Screw	8	54.	69120741	Manifold	1
17.	90510700	Anti.ext. Ring	3	36.	68150074	Crankcase Cover	2	55.	69211651	Spacer	1
18.	96755500	Washer	3	37.	69211551	Spacer	1	56.	90277600	Seal, LP, 30 mm	3
19.	69040109	Plunger (30 mm)	3	38.	90167200	Ring	1				

### REPAIR KITS

KIT NO.	K32	K37	K62	K64	K65	K967	K74	K113
ITEM NO'S INCLUDED IN KIT	38	11	3, 4, 5, 6, 7, (10)	45, 46	48	45, 46, 47, 48, 49, 50, 56	15, 16, 17, 18	47, 50, 56
NUMBER OF ASSEMBLIES IN KIT	2	3	6	3	3	1	3	3
NUMBER OF CYLINDERS KIT	2	3	3	3	3	1	3	3

### TORQUE SPECS\*

ITEM	Ft-lbs	N-m
1	29.4	39.86
9	73.7	99.92
15	14.7	19.93
26	14.7	19.93
28	13.2	17.89
29	29.4	39.86
30	7.3	9.89
35	29.4	39.86
44	29.4	39.86
51	51.5	69.82

\* Decrease torque by 20% if threads are lubricated

**WARNING: High Pressure Systems require a primary pressure regulating device (i.e. regulator, unloader) and a secondary pressure relief device (i.e. pop-off valve, relief valve). Failure to install such relief devices properly could result in personal injury or damage to pump or property. GP does not assume any liability or responsibility for the operation of the user's high pressure system.**



WARNING: This product can expose you to chemicals including lead, which is known to the state of California to cause cancer and birth defects or other reproductive harm. For more information, go to [www.P65Warnings.ca.gov](http://www.P65Warnings.ca.gov)

