



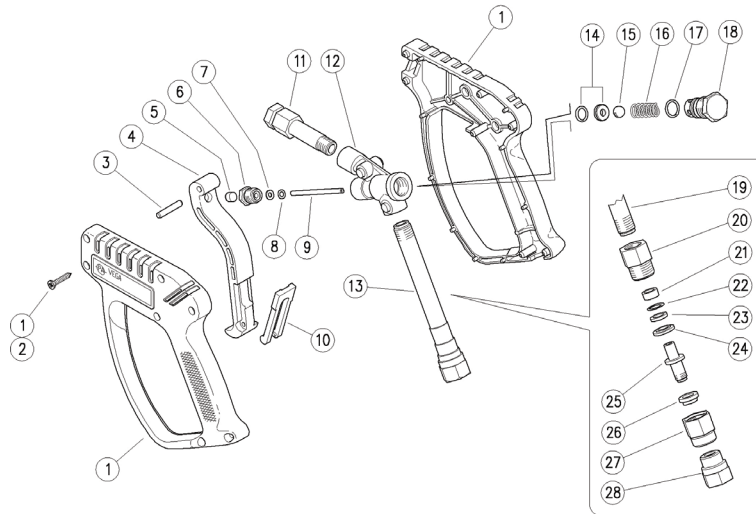
SPECIFICATIONS

Part Number	YG4000WN
Maximum Volume	10.5 GPM
Maximum Discharge Pressure	5000 PSI
Maximum Fluid Temperature	320°F
Inlet Port Thread	3/8" NPT-F
Discharge Port Thread	1/4" NPT-F
Weight	1.7 lbs
Dimensions	8.7" x 5.9" x 1.2"
Materials	Stainless Steel, Brass, Plastic, Buna-N, Teflon

FEATURES

- Sturdy and comfortable design
- Insulated handle remains cool at maximum fluid temperature
- Weep feature for weep systems
- Not for use with trapped pressure unloaders

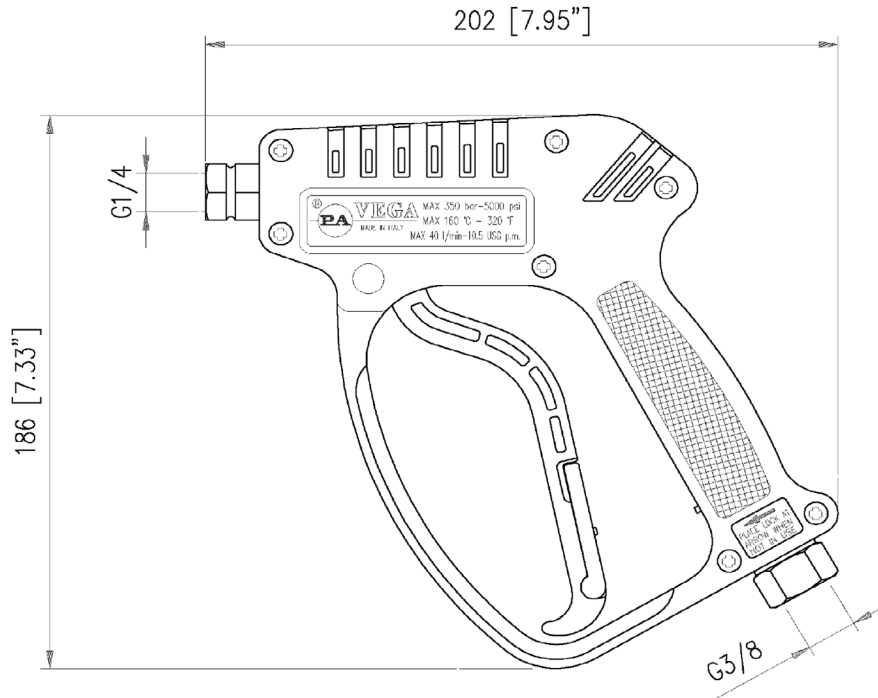
PARTS LIST




No.	Part No.	Description	Qty.
1	Y30202624	Housing Kit	1
2	Y16307551	Screw, 3.5 x 18 mm	7
3	Y30251731	Pin, 5 x 27.5 mm	1
4	Y30250684	Trigger	1
5	Y30067584	Stop Pin, 8 x 7.1 mm	1
6	Y30411531	Front Plug, M10 x 1	1
7*	Y10401800	Back-up Ring 3.2 x 7.5 x 1.2 mm	1
8*	Y10316500	O-Ring, 2.62 x 2.84 mm	1
9*	Y30200751	Piston, 3 mm	1
10	Y30151584	Safety Latch	1
11	Y30200835	Front Tube 1/4" F	1
12	Y30200535	Housing	1
13	Y30253435	Back Tube 3/8" F	1
14*	Y30110420	Seat Set, 6 mm	1

No.	Part No.	Description	Qty.
15*	Y14744310	Ball, 11/32"	1
16	Y30200351	Spring, 1.6 x 7 x 22 mm	1
17*	Y10306001	O-Ring, 1.78 x 12.42 mm	1
18	Y30200431	Spring Holder, M18 x 1	1
19	Y30253236	Tube, M15 94 mm	1
20	Y30253131	Coupler, M20 x 1m	1
21	Y30072884	Bushing, 9 x 13 x 6 mm	1
22	Y10310993	O-Ring, 2.4 x 8.3 mm	1
23	Y10400850	Back-up Ring, 9 x 13.2 x 1.2 mm	1
24	Y30072931	Spacer, 9 x 19 x 3 mm	1
25	Y30155331	Pin, M10 x 1.25 M	1
26	Y30073084	Bushing, 10 x 17 x 6 mm	1
27	Y3007331	Nipple, M20 x 1	1
28	Y30306131	Coupler, M10 x 1, 25F-3/8F BSP	1
*	YKITG4000WN	Repair Kit	

DIMENSIONS



 **WARNING:** This product can expose you to chemicals including lead, which is known to the state of California to cause cancer and birth defects or other reproductive harm. For more information, go to www.P65Warnings.ca.gov