

GENERAL PUMP *A member of the Interpump Group***YG1635(S)(N)****FEATURES**

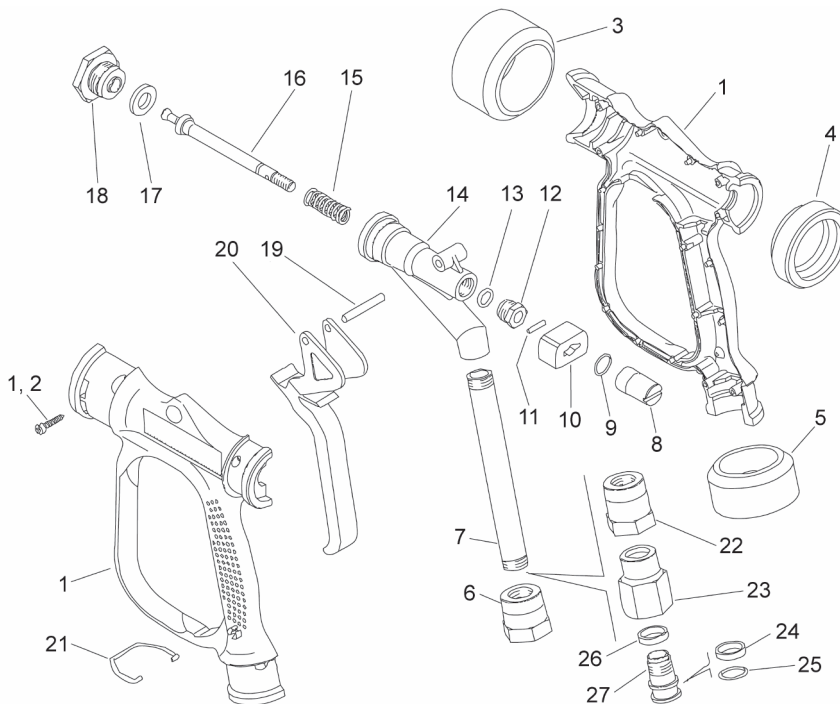
- Variable nozzle, trigger controlled
- Adjustable fixed spray pattern from 0° - 60°
- Rubber bumpers protect work from damage
- Durable impact resistant molded handle
- Available with built-in inlet swivel

High Volume Low Pressure Washdown Gun**SPECIFICATIONS**

Model	YG1635	YG1635S	YG1635N
Maximum Pressure	350 PSI		
Maximum Flow	16 GPM		
Maximum Temperature	195°F		
Inlet Port	1/2" BSP-F		1/2" NPT-F
Nozzle	Variable 0°-60°, Built-in		
Inlet Swivel	No	Yes	No
Weight	32.6 oz	36.9 oz	32.6 oz
Dimensions	9.75" x 6.75"		
Materials	Brass, Buna-N, Plastic		

APPLICATIONS**Washdown Applications in:**

- Food Processing Facilities
- Beverage and Brewing Plants
- Agriculture and Dairy
- Kitchen and Factories
- Fire Suppression

PARTS LIST

Item	Part Number	Description	Qty
1	Y30642024	Pl.housing kit (YG1635)	1
2	Y16307551	3.5 x 18 mm screw	6
3	Y30641284	Front protector ring	1
4	Y30641384	Back prot.ring	1
5	Y30641484	Lower ring	1
6	Y30640731	Connection 1/2 BSP F (YG1635)	1
	Y30641931	Connection, 1/2 NPT-F	
7	Y30640936	130 mm tube	1
8	Y30641831	M 7 screw plug	1
9	701112*	O-ring 2.62 x 12.37 mm, *, **	1
10	Y30640484	Blue slide (YG1635)	1
11	Y15102100	Pin 3 x 14 mm	1
12	Y30641731	M 14 plug	1
13	Y10317010*	O-ring 2.62 x 7.6 mm Vit., *, **	1
14	Y30640535	Brass Housing	1
15	Y30641051	Spring, **	1
16	Y30640631	Piston (YG1635), **	1
17	Y30640885*	Diaphragm, *, **	1
18	Y30640331	Brass seat (YG1635)	1
19	Y30642831	5 mm pin	1
20	Y30641184	Blue trigger (YG1635)	1
21	Y30641551	Sst clip	1
22	Y30642631	Connection M16 (YG1635S)	1
23	Y30642731	Connection 1/2 BSP F (YG1635S)	1
24	Y26107585	Open ring (YG1635S)	1
25	Y10309210	O.ring 2 x 15 mm Viton 70 (YG1635S)	1
26	Y26107485	Ring (YG1635S)	1
27	Y26107231	Pin (YG1635S)	1

* Y30642224 Seals Spares Kit

** Y30642324 Repair Kit



General Pump
is a member of
the Interpump Group



GENERAL PUMP 1174 Northland Drive • Mendota Heights, MN 55120
Phone: 651.686.2199 • Fax: 800.535.1745 • e-mail: sales@gpcompanies.com • www.generalpump.com

Ref 300512 Rev. E
06-16



GENERAL PUMP