

**FEATURES****High Volume Low Pressure Washdown Gun**

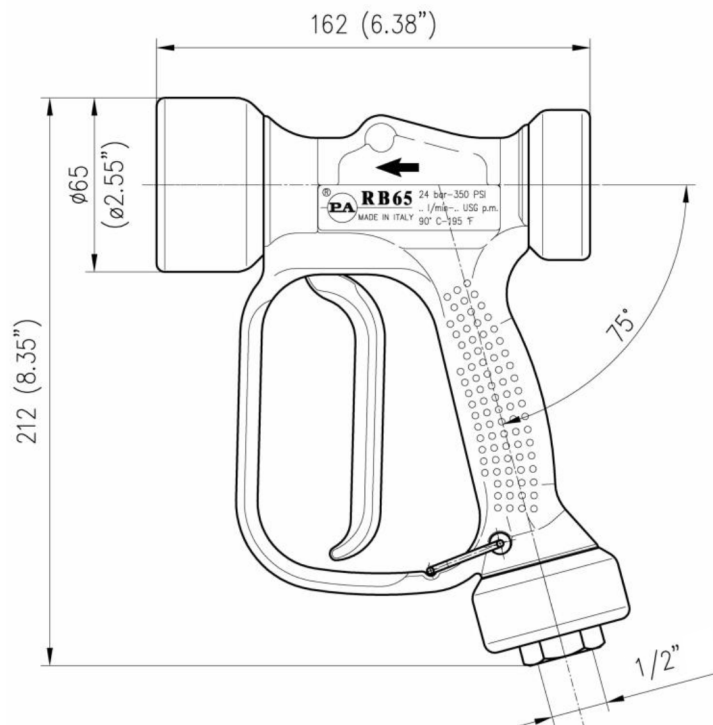
- Variable nozzle, trigger controlled
- Adjustable fixed spray pattern from 0° - 60°
- Rubber bumpers protect work from damage
- Durable impact resistant molded handle
- Available with built-in inlet swivel

**SPECIFICATIONS**

Model	YG1635	YG1635S	YG1635N
Maximum Pressure	350 PSI		
Maximum Flow	16 GPM		
Maximum Temperature	195°F		
Inlet Port	1/2" BSP-F		1/2" NPT-F
Nozzle	Variable 0°-60°, Built-in		
Inlet Swivel	No	Yes	No
Weight	32.6 oz	36.9 oz	32.6 oz
Dimensions	9.75" x 6.75"		
Materials	Brass, Plastic, Viton		

**APPLICATIONS****Washdown Applications in:**

- Food Processing Facilities
- Beverage and Brewing Plants
- Agriculture and Dairy
- Kitchen and Factories
- Fire Suppression

**DIMENSIONS**

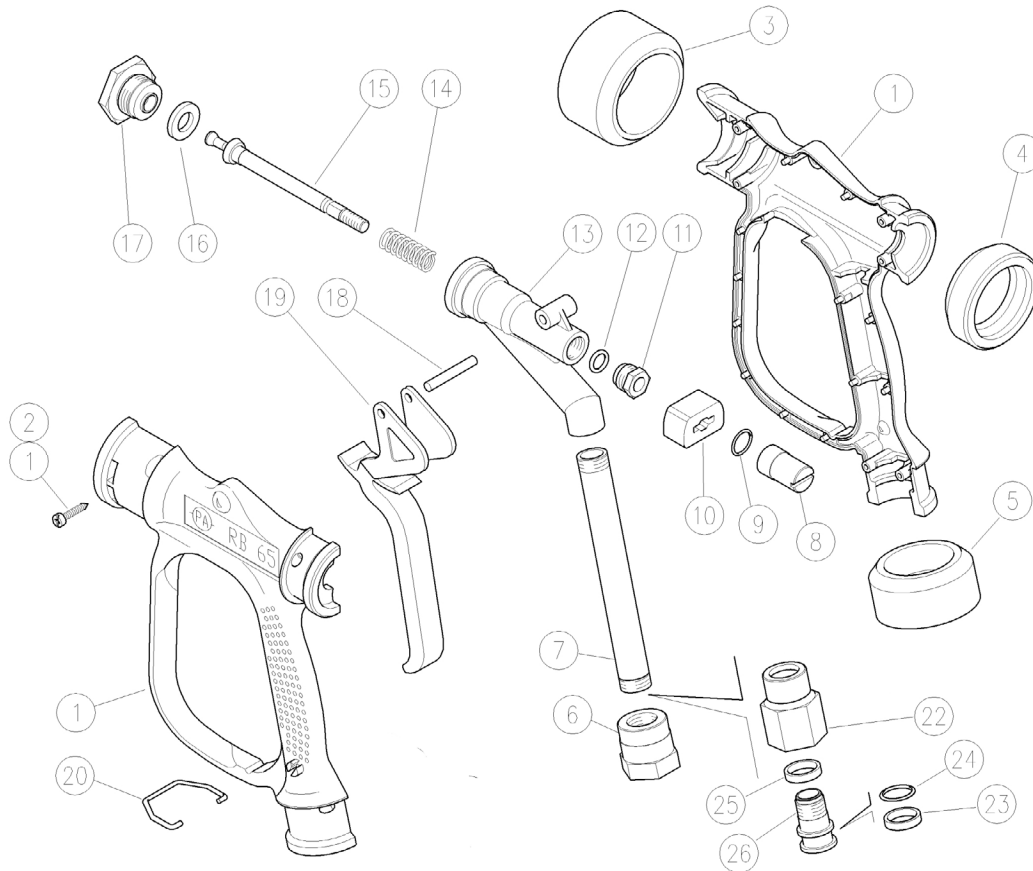
General Pump  
is a member of  
the Interpump Group



Ref 300512 Rev. F  
09-22



### PARTS LIST



No.	Part No.	Description	Qty.
1	Y30623024	Housing, Blue, + Screws	1
2	Y16307551	Screw	6
3	Y30641285	Front Protection Ring	1
4	Y30641385	Back Protection Ring	1
5	Y30641485	Lower Protection Ring	1
6	Y30640731	Coupler, 1/2" BSP-F, Brass	1
	Y30641931	Coupler, 1/2" NPT-F, Brass (YG1635N)	1
7	Y30640936	Tube, Brass	1
8	Y30641831	Regulation Pin	1
9†	701112	O-ring, 1.78x17 mm, Viton	1
10	Y30640484	Sliding Block	1
11	Y30641731	Plug, M14x1, Brass	1
12	Y10317010	O-ring, 2.62x7.6 mm, Vi 70	1
13*†	Y30640535	Housing, Brass	1
14	Y30645451	Spring, 2x19.9x40 mm, Sst.	1
15†	Y30644231	Piston, Brass	

No.	Part No.	Description	Qty.
16†	Y30640885	Front Seal, 11x20.5x3 mm	1
17*†	Y30640331	Front Coupling, Brass	1
18	Y30642831	Parallel Pin, 5x38 mm, Brass	1
19	Y30641184	Trigger	1
20	Y30641551	Trigger Retainer, Sst	1
22	Y30642731	Coupler, Swivel, 1/2-F BSP, Brass (YG1635S)	1
23	Y26107585	Bushing, 15.5x19x4 mm, (YG1635S)	1
24	Y10309210	O-ring, 2x15 mm, Vi 70, (YG1635S)	1
25	Y26107485	Bushing, 15.5x19x4 mm, (YG1635S)	1
26	Y26107231	Pin, M15x1-19 mm, Brass	1
*	Y30642224	Seals Kit	
†	Y30642324	Repair Kit	

**WARNING: High Pressure Systems require a primary pressure regulating device (i.e. regulator, unloader) and a secondary pressure relief device (i.e. pop-off valve, relief valve). Failure to install such relief devices properly could result in personal injury or damage to pump or property. GP does not assume any liability or responsibility for the operation of the user's high pressure system.**



WARNING: This product can expose you to chemicals including lead, which is known to the state of California to cause cancer and birth defects or other reproductive harm. For more information, go to [www.P65Warnings.ca.gov](http://www.P65Warnings.ca.gov)

