

SPECIFICATIONS



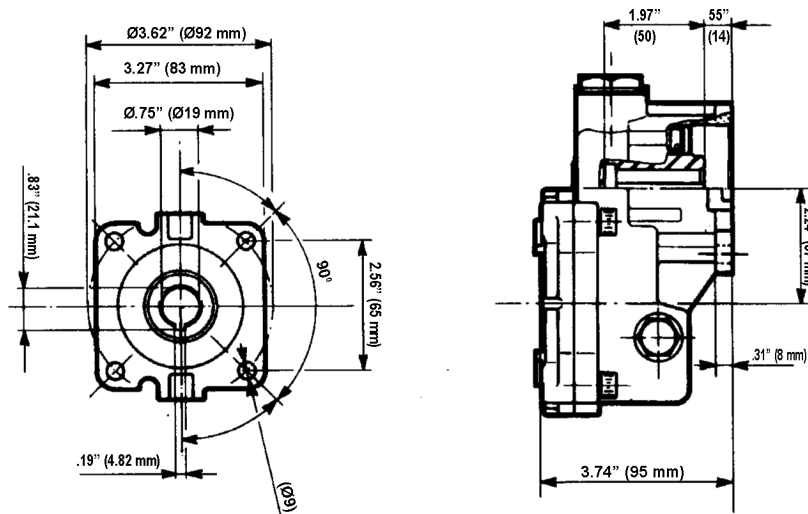
Max BHP (Engine HP)	4 (5)
Max Engine RPM	3,500 RPM
Reduction Ratio	2.4:1
Max Pump Speed	1,450 RPM
Oil Capacity (SAE 90W hypoid gear lub)	5.5 oz.
Weight	4.5 lbs.
Fits Engine Shaft Diameter	3/4"
Max Shaft Extension	2-3/8"
Fits General Pump Models	T521, T531, T701, T711 T721, T731, T911, T981 T991, TS1371

Note: This reducer fits engines with (4) 5/16-24 threaded holes on a 3.62 diameter bolt circle. See SAE specification J609A for additional information on engine mounting dimensions.

FEATURES

- Eliminates need for belts and pulleys. Saves time and money.
- Compact design for easier enclosure. Reduced size of mounting base.
- Oversized bearing system is self-aligning. Reduces load on motor bearings and pump bearings.
- Large, helical cut, hardened steel gears for quiet, long life operation.
- Large capacity crankcase.
- Reversible mounting for right or left hand drive gas engines. Includes reversible dipstick and oil level sight glass.
- Model ZGR0750 fro 3/4" keyed shaft.

DIMENSIONS



General Pump is a member of the Interpump Group

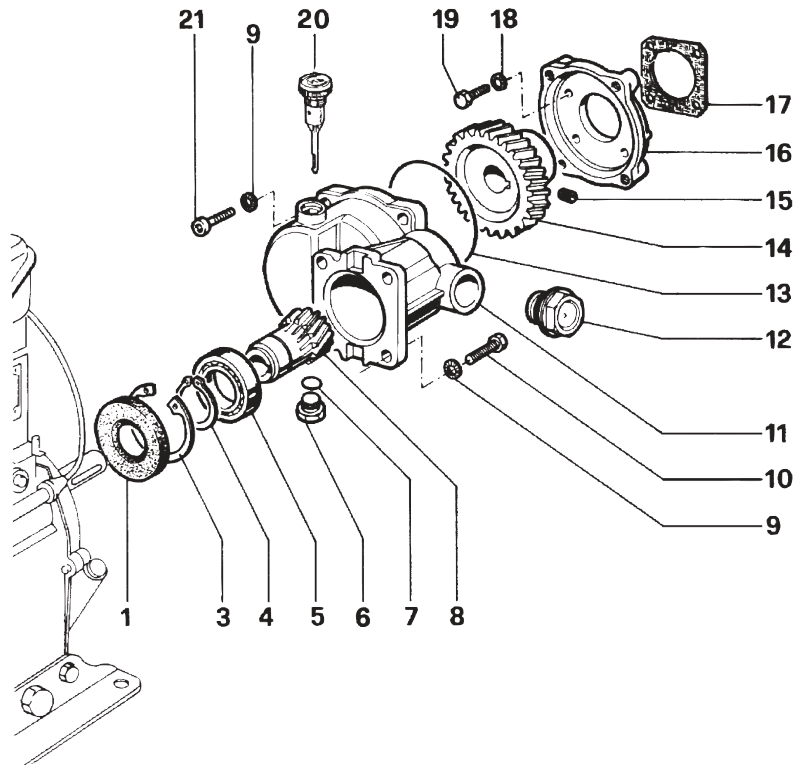


ZGR0750

GENERAL PUMP *A member of the Interpump Group*

Gear Reducer for Small Gas Engines

PARTS LIST



No.	Part No.	Description	Qty.
1	90167500	Oil Seal	1
3	90085000	Retaining Ring	1
4	90069500	Retaining Ring	1
5	91846400	Ball Bearing	1
6	98210000	Cap	1
7	90383300	O-ring	1
8	10020555	Pinion Gear	1
9	96701400	Washer	8
10	99274000	Screws	4
11	10020322	Reducer Box	1

No.	Part No.	Description	Qty.
12	97596800	Oil Level Indicator	1
13	940414100	O-ring	1
14	10020655	Ring Gear	1
15	99301700	Screw	1
16	10020422	Flange Adapter	1
17	10020784	Gasket	1
18	96693800	Washers	4
19	99188200	Screws	4
20	98210300	Oil dip Stick	1
21	99308400	Screws	4

TORQUE SPECS*

POS.	Nm	Ft/lb
6	40	29.5
10	20	14.7
12	12	8.8
15	14	10.3
19	10	7.3
21	20	14.7

* Decrease torque by 20% if threads are lubricated