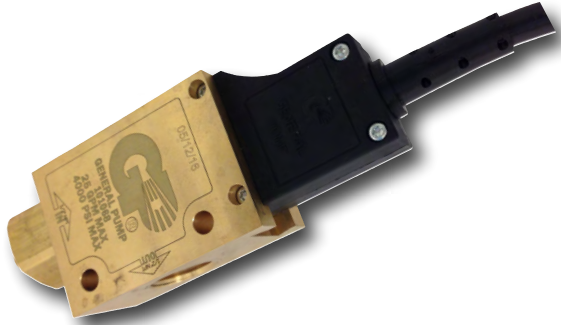


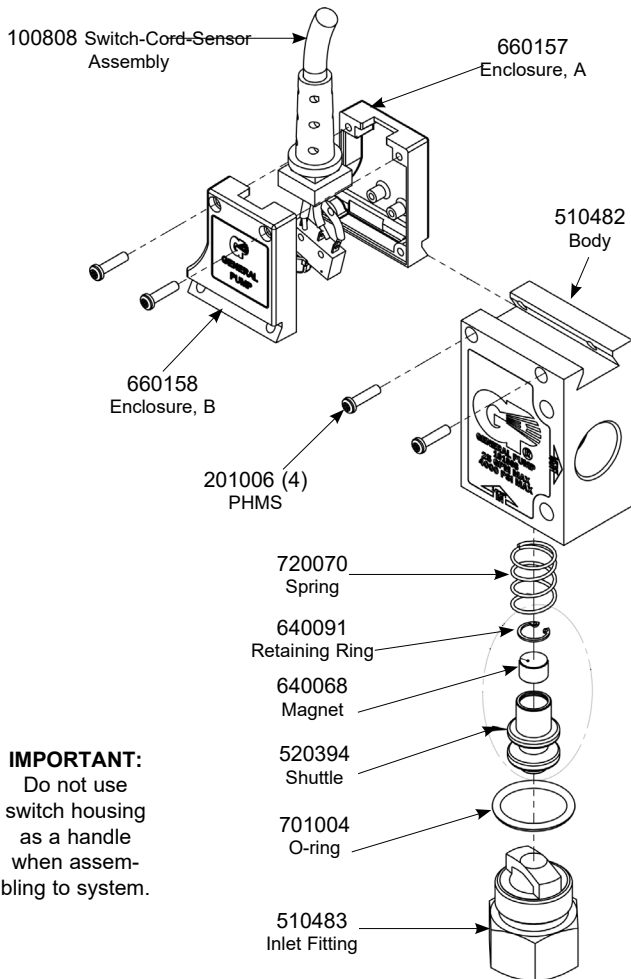
GP FLOW SWITCH 101068



FEATURES

- Micro-switch technology eliminates reed switch
- Activation below 4.0 GPM
- Minimal pressure drop up to 25 gpm flow
- Mount in vertical position

EXPLODED VIEW

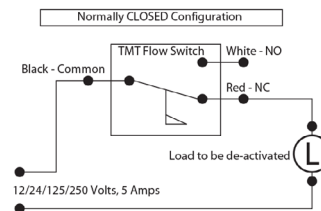
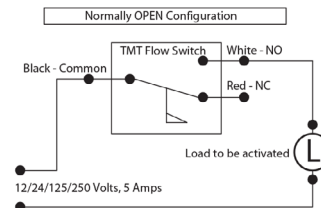
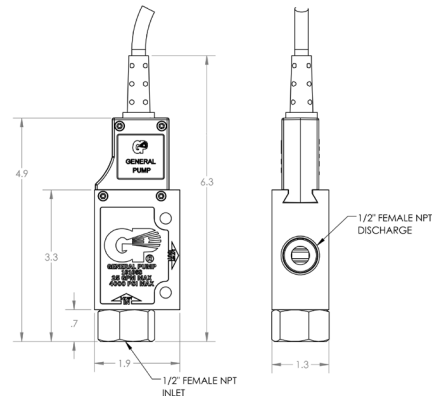


IMPORTANT:
Do not use switch housing as a handle when assembling to system.

SPECIFICATIONS

| | | |
|---------------------------------------------|-------------------------------------------------|------------------|
| Part Number | 101068 | |
| Maximum Operating Pressure | 3,000 PSI@25 GPM | 4,000 PSI@12 GPM |
| Minimum Flow Required for Activation | 4.0 GPM @ 50 PSI | |
| Maximum Operating Flow | 25.0 GPM | |
| Operating Temperature Range | 40 - 180 °F | |
| Electrical Lead Length | 48" - 18AWG | |
| Switch Ratings | Max Switching Voltage | 250 VAC |
| | Max Switching Current | 5 AMPS |
| | Resistance with Leads | 30 OHM |
| Ports | Inlet | 1/2" NPT-F |
| | Outlet | 1/2" NPT-F |
| Dimensions | 6.3" x 2.0" x 1.3" | |
| Weight | 1.85 LBS | |
| Materials | Buna-N, Brass, Plastic, Nickel-plated Neodymium | |

DIMENSIONS



WARNING: This product can expose you to chemicals including lead, which is known to the state of California to cause cancer and birth defects or other reproductive harm. For more information, go to www.P65Warnings.ca.gov



General Pump
is a member of
The Interpump Group

