

**GENERAL PUMP** *A member of the Interpump Group*

# GP FLOW SWITCH

## TMT Flow Switch With Pilot Feature



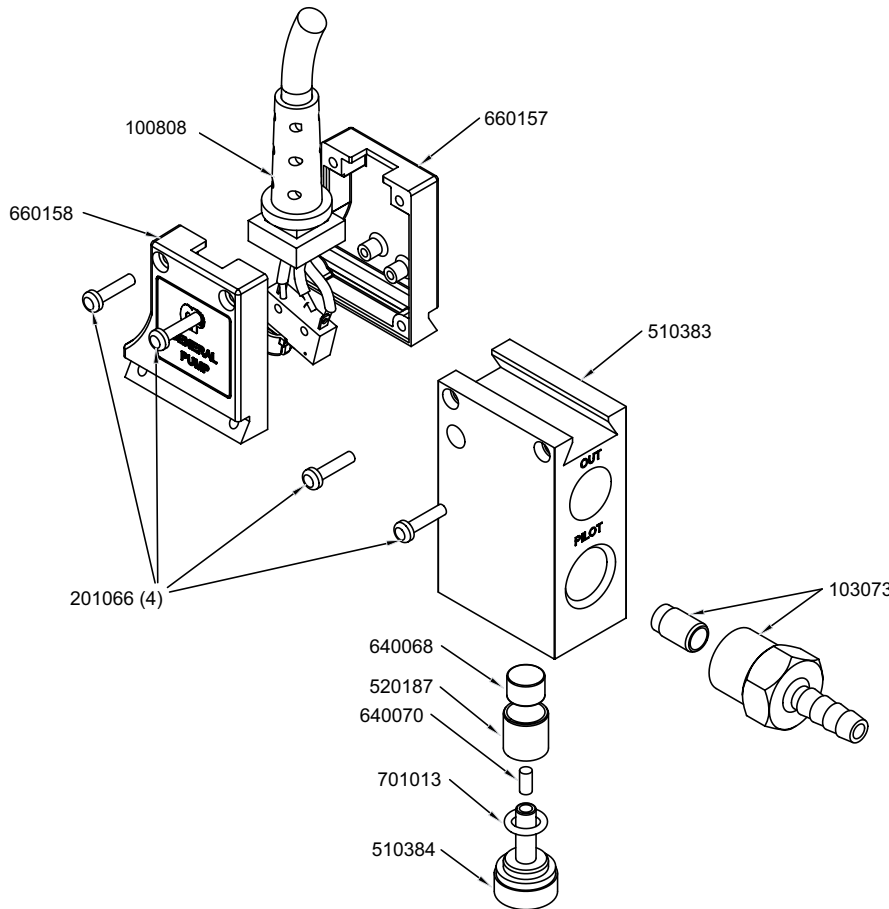
### FEATURES

- Micro-switch technology eliminates reed switch
- Activates with as little as .5 gpm flow
- Minimal pressure drop up to 12 gpm flow
- Mount in vertical position

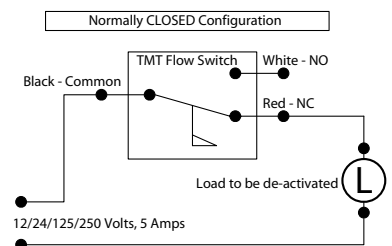
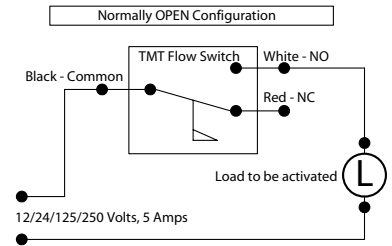
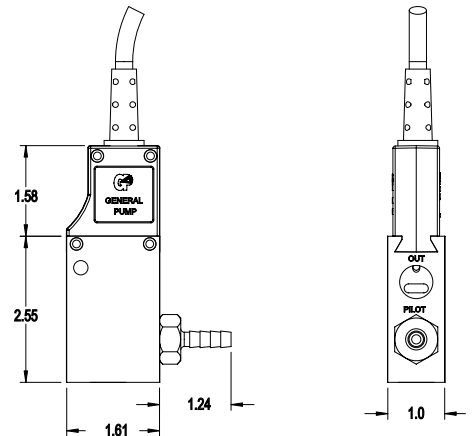
### SPECIFICATIONS

Part Number	With Pilot	100879
	Without Pilot	100904
Maximum Operating Pressure		4000 PSI
Minimum Flow Required for Activation		0.5 GPM @ 50 PSI
Maximum Operating Flow		12.0 GPM
Operating Temperature Range		40 - 180 °F
Electrical Lead Length		48" - 18AWG
Switch Ratings	Max Switching Voltage	250 VAC
	Max Switching Current	5 AMPS
	Resistance with Leads	30 OHM
	Electrical Service Life	200,000 Cycles
Mechanical Service Life		10,000,000 Cycles
Ports	Inlet	3/8" x 18 NPT-F
	Outlet	3/8" x 18 NPT-F
	Pilot	1/4" Hose Barb
Dimensions		4.1" x 1.6" x 1.0"
Weight		1.3 LBS
Materials	Buna-N, Brass, Plastic, Nickel Plated Neodymium	

### EXPLOSION



### DIMENSIONS AND SCHEMATIC



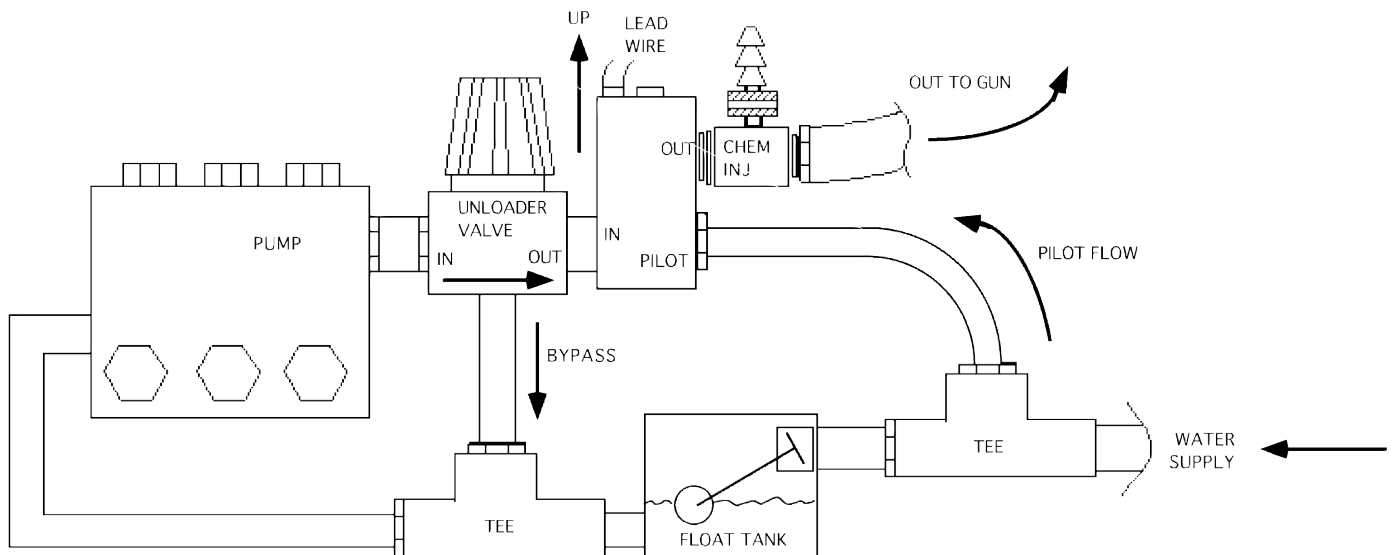
# GP FLOW SWITCH

TMT Flow Switch With Pilot Feature

GENERAL PUMP

A member of the Interpump Group

## INSTALLATION



**NOTE: When using this flow switch in a system containing a positive displacement pump, General Pump recommends the use of a safety relief device(s), correctly placed to protect all areas of the system.**

Install the flow switch **vertically** to the output side of the unloader, with the 2 conductor lead wires exiting from the top. If your system uses a downstream chemical injector, it should be mounted on the output side of the flow switch.

Model 100879, with pilot feature, requires a direct connection to the water supply feed line to provide a pilot signal. This is accomplished by installing a tee fitting (with a 1/4" hose barb fitting) directly in the water supply feed line. The tee must be installed before the float valve. Install an appropriate length of 1/4" I.D. reinforced polyvinyl tubing between the tee fitting and the valve pilot port.



WARNING: This product can expose you to chemicals including lead, which is known to the state of California to cause cancer and birth defects or other reproductive harm. For more information, go to [www.P65Warnings.ca.gov](http://www.P65Warnings.ca.gov)