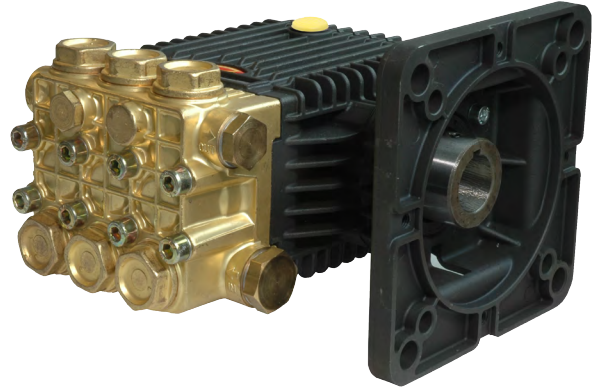


## FEATURES

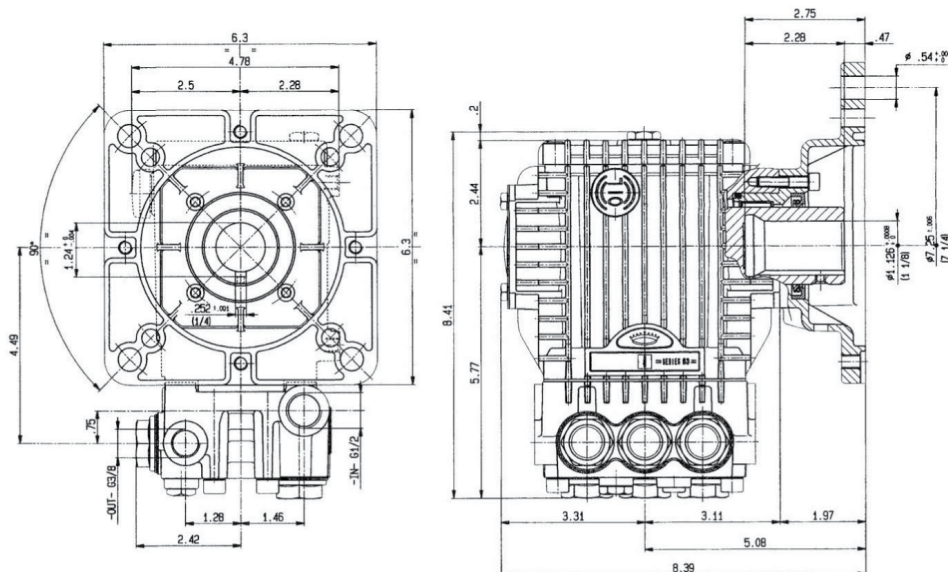
- Flanged for direct couple to electric motor (NEMA 184TC)
- Set screw for key way
- Oversized bearings
- Longer life low and high pressure seals
- Forged brass manifold



## SPECIFICATIONS

Pump Model	TX1810E179	TX1812E179	TX1512E179	TX1510E349
Maximum Volume	3.2 GPM	3.8 GPM	2.6 GPM	2.0/4.0 GPM
Maximum Discharge Pressure	2500 PSI	2500 PSI	3000 PSI	
Horsepower	4.4 EBHP	5.2 EBHP	5.3 EBHP	4.3/8.2 EBHP
Maximum Pump Speed	1750 RPM			1750/3400 RPM
Maximum Inlet Pressure	125 PSI			
Minimum Inlet Pressure	3 Ft. Water (2.6 in. Hg)			
Plunger Bore	.709 in. / 18 mm		.591 in. / 15 mm	
Plunger Stroke	.394 in. / 10 mm	.472 in. / 12 mm	.472 in. / 12 mm	.394 in. / 10 mm
Oil Capacity	14.0 oz.			
Maximum Fluid Temperature	165° F			
Inlet Port Thread	1/2-14 BSPP-F			
Discharge Port Thread	3/8-19 BSPP-F			
Shaft Diameter	1.125 in. / 28.5 mm			
Weight	18 lbs.			
Dimensions	8.6" x 7.9" x 5.7"			

## DIMENSIONAL DRAWING



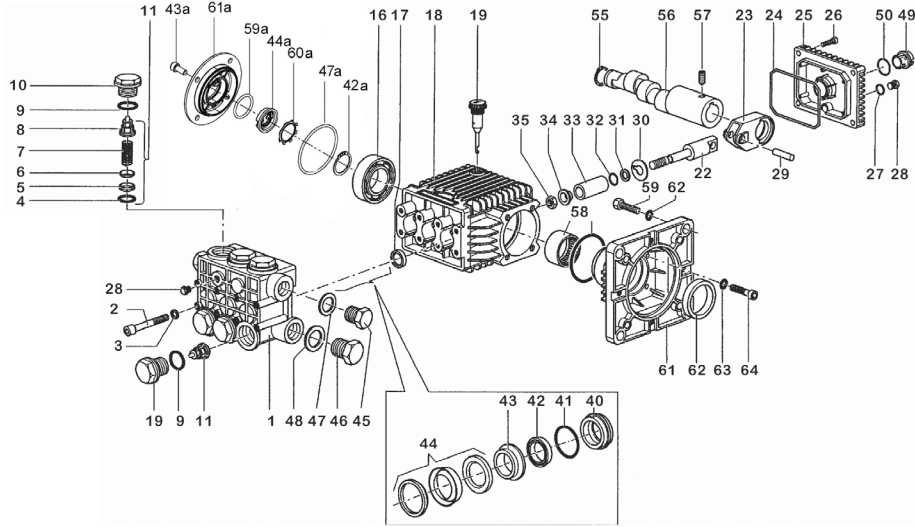
TRIPLEX

TRIPLEX



General Pump is a member of the Interpump Group





**PARTS LIST**

ITEM	PART NO.	DESCRIPTION	QTY.	ITEM	PART NO.	DESCRIPTION	QTY.	ITEM	PART NO.	DESCRIPTION	QTY.
1.	63120041	Manifold, 15 mm	1	24.	90392000	O-ring, Cover	1	90265500	Packing Assy, 18mm	3	
	63120341	Manifold, 18 mm	1	25.	63160022	Rear Crankcase Cover	1	44a.	53210851	Oil Level Indicator	1
2.	99319200	Screw, M8 x 65	8	26.	99183700	Screw, M6 x 14	4	45.	98210000	Plug, 3/8" G	1
3.	96701400	Lockwasher, M8.4	8	27.	701013	O-ring	1	46.	98217600	Plug, 1/2" G	1
4.	701115	O-ring	6	28.	98204100	Plug, 1/4" G	2	47.	96738000	Washer, M17.5	1
5.	36200366	Valve Seat	6	29.	97733500	Connecting Rod Pin	3	47a.	90389800	O-ring Ø 56.82x2.62	1
6.	36200176	Valve Plate	6	30.	96707500	Flinger Washer	3	48.	96751400	Washer, M21.5	1
7.	94737600	Spring	6	31.	660024	Anti-extrusion Ring	3	49.	63210051	Oil Level Indicator	1
8.	36202551	Valve Cage	6	32.	701009	O-ring	3	50.	90405100	O-ring	1
9.	701002	O-ring	6	33.	52040009	Ceramic Plunger, 15mm	3	55.	90063500	Retaining Ring	1
10.	98222600	Valve Cap	6		44040109	Ceramic Plunger, 18mm	3	56.	63023265	Crankshaft, 10mm	1
11.	36711501	Valve Assembly	6	34.	44211570	Bushing	3		63023665	Crankshaft, 12mm	1
12.	99180700	Screw, M6 x 10	8	35.	92221600	Nut, M8	3	57.	99179000	Set Screw, M6 x 6	1
13.	50150074	Bearing Cover	1	40.	63080070	Seal Retn'r, 15mm	3	58.	91856800	Roller Bearing	1
14.	44211801	Oil Level Indicator	1		63080170	Seal Retn'r, 18mm	3	59.	99460000	Screw	4
15.	90409700	O-ring	2	41.	90360800	O-ring	3	59a.	90385900	O-ring Ø 25.07x2.62	1
16.	91832900	Ball Bearing	1	42.	90260800	Seal, LP, 15mm	3	60.	96719500	Washer	4
17.	90159500	Oil Seal	3		90265000	Seal, LP, 18mm	3	60a.	90067100	Stop Ring	1
18.	63010022	Crankcase	1	42a.	90063500	Stop Ring Ø 25	1	61.	10050422	Flange, Electric 184TC	1
19.	98210300	Oil Dip Stick	1	43.	63216070	Int. Ring, 15mm	3	61a.	58150122	Side Cover	1
21.	91489200	Key	1		63216170	Int. Ring, 18mm	3	62.	90169000	Oil Seal	1
22.	63050066	Plunger Guide	3	43a.	99183700	Screw M6x14	8	63.	203510	Lockwasher, M6.4	4
23.	63030022	Connecting Rod	3	44.	90261200	Packing Assy, 15mm	3	64.	99191200	Screw, M6 x 30	4

\* 53150001 Oil Level Indicator Assembled W/O Screws and O-ring

**REPAIR KITS**

KIT NO.	123	124	159	160 or 161 (15mm) (18mm)	162 or 163 (15mm) (18mm)	164 or 165 (15mm) (18mm)	166 or 167 (15mm) (18mm)
ITEM NO's INCLUDED IN KIT	4, 5, 6, 7, 8 (11)	9, 10	17	42, 44	40	43	40, 41, 42, 43, 44
NUMBER OF ASSEMBLIES IN KIT	6	6	3	3	3	3	1
NUMBER OF CYLINDERS KIT WILL SERVICE	3	3	3	3	3	3	1

**TORQUE SPECS\***

Pos.	Ft/lb	Nm
2	14.7	20
10	95.9	130
12	7.3	10
26	7.3	10
28	14.7	20
35	11.0	15
45	29.4	40
46	29.4	40
59	14.7	20
64	7.3	10

\* Decrease torque by 20% if threads are lubricated

**WARNING: High Pressure Systems require a primary pressure regulating device (i.e. regulator, unloader) and a secondary pressure relief device (i.e. pop-off valve, relief valve). Failure to install such relief devices properly could result in personal injury or damage to pump or property. GP does not assume any liability or responsibility for the operation of the user's high pressure system.**



WARNING: This product can expose you to chemicals including lead, which is known to the state of California to cause cancer and birth defects or other reproductive harm. For more information, go to [www.P65Warnings.ca.gov](http://www.P65Warnings.ca.gov)

