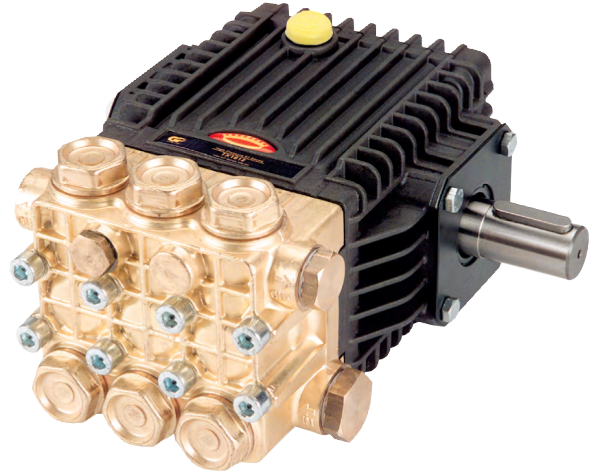
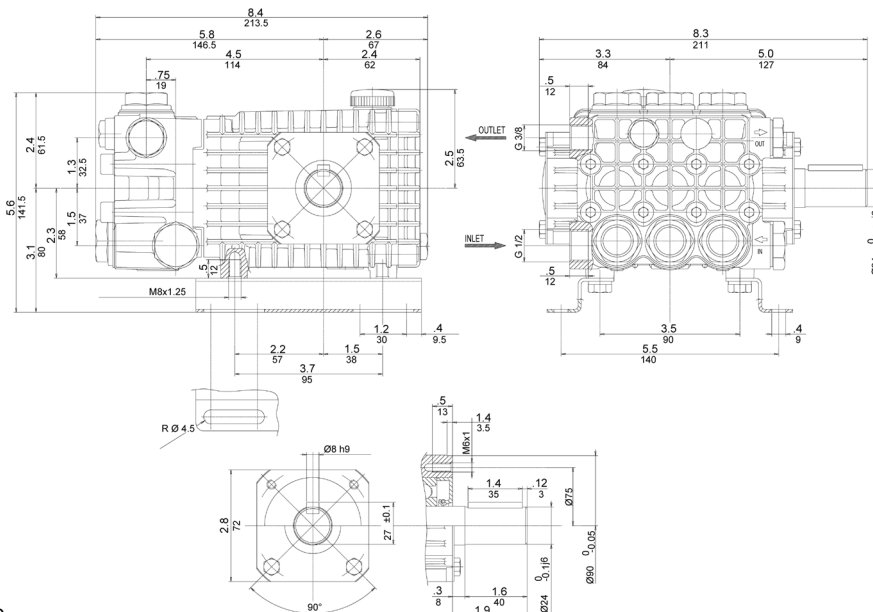


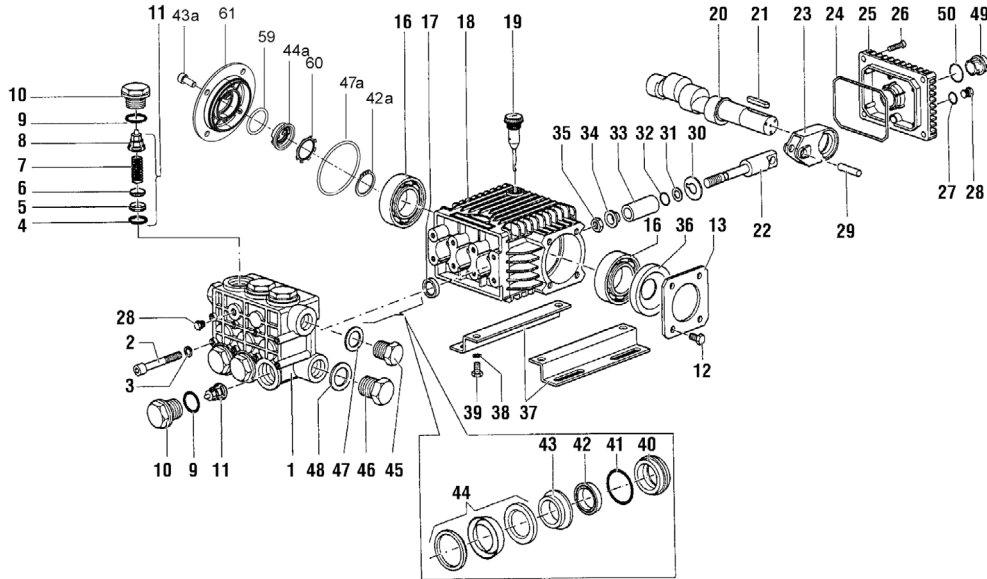
FEATURES

- Flex coupling and bell housing available for direct drive
- Oversized, premium bearings for long life
- New generation seal system for longer life
- Forged brass manifold

**SPECIFICATIONS**

Pump Model	TX1513S17	TX1813S17
Maximum Volume	3.0 GPM	4.1 GPM
Maximum Discharge Pressure	3000 PSI	2500 PSI
Horsepower	6.2 EBHP	5.6 EBHP
Maximum Pump Speed	1750 RPM	1750 RPM
Maximum Inlet Pressure	125 PSI	
Minimum Inlet Pressure	3 Ft. Water / 2.6 In. Hg.	
Plunger Bore (in / mm)	.591 in. / 15 mm	.709 in. / 18 mm
Plunger Stroke (in / mm)	.512 in. / 13 mm	
Oil Capacity	14.0 oz.	
Maximum Fluid Temperature	165°F	
Inlet Port Thread	1/2 - 14 BSPP-F	
Discharge Port Thread	3/8 - 19 BSPP-F	
Shaft Diameter	.945 in. / 24 mm	
Weight	19 lbs.	
Dimensions	8.4 in. x 8.3 in. x 4.8 in.	

DIMENSIONAL DRAWINGRef 300651 Rev. E
08-22General Pump
is a member of
the Interpump Group



PARTS LIST

ITEM	PART NO.	DESCRIPTION	QTY.	ITEM	PART NO.	DESCRIPTION	QTY.	ITEM	PART NO.	DESCRIPTION	QTY.
1.	63120041	Manifold, 15 mm	1	24.	90392000	O-ring, Cover	1	42.	90260800	Seal, LP,15mm	3
	63120341	Manifold, 18 mm	1	25.	63160022	Rear Crankcase Cover	1		90265000	Seal, LP,18mm	3
2.	99319200	Screw, M8 x 65	8	26.	99183700	Screw, M6 x 14	4	42a.	90063500	Stop Ring Ø 25	1
3.	96701400	Lockwasher, M8.4	8	27.	701013	O-ring	1	43.	63216070	Int. Ring,15mm	3
4.	701115	O-ring	6	28.	98204100	Plug, 1/4" G	2		63216170	Int. Ring,18mm	3
5.	36200366	Valve Seat	6	29.	97733500	Connecting Rod Pin	3	43a.	99183700	Screw M6x14	8
6.	36711501	Valve Plate	6	30.	96707500	Flinger Washer	3	44.	90261200	Packing Assy,15mm	3
7.	94737600	Spring	6	31.	660024	Anti-extrusion Ring	3		90265500	Packing Assy,18mm	3
8.	36202551	Valve Cage	6	32.	701009	O-ring	3	44a.	53210851	Oil Level Indicator	1
9.	701002	O-ring	6	33.	52040009	Ceramic Plunger, 15mm	3	45.	98210000	Plug, 3/8" G	1
10.	98222600	Valve Cap	6		44040109	Ceramic Plunger, 18mm	3	46.	98217600	Plug, 1/2" G	1
11.	36711501	Valve Assembly	6	34.	44211570	Bushing	3	47.	96738000	Washer, M17.5	1
16.	91833100	Ball Bearing, Premium	2	35.	92221500	Nut, M8	3	47a.	90389800	O-ring Ø 56.82x2.62	1
17.	90159500	Oil Seal	3	36.	90164100	Oil Seal	1	48.	96751400	Washer, M21.5	1
18.	63010022	Crankcase	1	37.	50200074	Rail	2	49.	63210051	Oil Level Indicator	1
19.	98210300	Oil Dip Stick	1	38.	96701600	Lockwasher, M8	4	50.	90405100	O-ring	1
20.	63021865	Crankshaft, 13 mm	1	39.	99303700	Screw, M8 x 16	4	59.	90385900	O-ring Ø 25.07x2.62	1
21.	91489200	Key	1	40.	63080070	Seal Retn'r, 15mm	3	60.	90067100	Stop Ring	1
22.	63050066	Plunger Guide	3		63080170	Seal Retn'r, 18mm	3	61.	58150122	Side Cover	1
23.	63030022	Connecting Rod	3	41.	90360800	O-ring	3				

* 53150001 Oil Level Indicator Assembled W/O Screws and O-ring

REPAIR KITS

KIT NO.	K123	K124	K159	K160 or K161 (15mm) (18mm)	K162 or K163 (15mm) (18mm)	K164 or K165 (15mm) (18mm)	K166 or K167 (15mm) (18mm)
ITEM NO's INCLUDED IN KIT	4, 5, 6, 7, 8 (11)	9, 10	17	42, 44	40	43	40, 41, 42, 43, 44
NUMBER OF ASSEMBLIES IN KIT	6	6	3	3	3	3	1
NUMBER OF CYLINDERS KIT WILL SERVICE	3	3	3	3	3	3	1

TORQUE SPECS*

Pos.	Ft/lb	Nm
2	14.7	20
10	95.9	130
12	7.3	10
26	7.3	10
28	14.7	20
35	11.0	15
39	14.7	20
45	29.4	40
46	29.4	40

* Decrease torque by 20% if threads are lubricated

WARNING: High Pressure Systems require a primary pressure regulating device (i.e. regulator, unloader) and a secondary pressure relief device (i.e. pop-off valve, relief valve). Failure to install such relief devices properly could result in personal injury or damage to pump or property. GP does not assume any liability or responsibility for the operation of the user's high pressure system.

WARNING: This product can expose you to chemicals including lead, which is known to the state of California to cause cancer and birth defects or other reproductive harm. For more information, go to www.P65Warnings.ca.gov

