

## GENERAL PUMP FLOW SWITCHES

The General Pump flow switch is designed to operate in response to a low volume, low pressure flow and still allow for a high pump output flow. The system will provide reliable switching with as little as .75 GPM flow and 18 PSI from the city water supply and will also allow pump output flow up to 18.7 GPM @ 4,000 PSI with negligible pressure drop through the valve. General Pump flow switches provide durable, reliable on/off switching for systems that require start/stop capability.

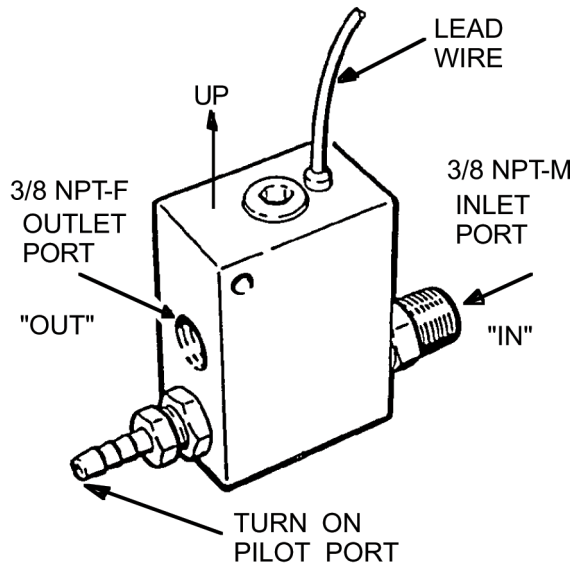


Pictured is the 100329 (with pilot feature)

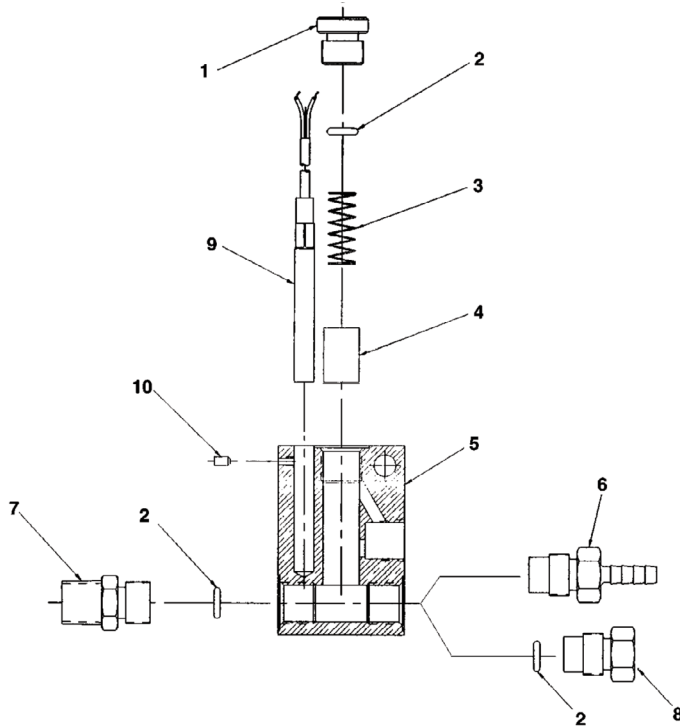
### SPECIFICATIONS

Part Number .....	100329 (w/ pilot feature) 103011 (no pilot feature)
Maximum Volume.....	18.7 GPM
Maximum Pressure* .....	4,000 PSI
Minimum Volume.....	(.75 GPM)
Minimum Pressure .....	18 PSI
Switch Contact Ratings .....	@ 24 Volts DC: 75 Watts, 3A @ 120 Volts AC: 100 Watts, .8A
Maximum Temperature .....	190° F
Dimensions.....	4.25" x 4.5" x 1.25" with 8 foot lead wire
Weight .....	2.5 lbs.
Material.....	Brass, Stainless Steel, Buna-N
	*Minimum burst pressure is 4X working pressure.

### ELECTRICAL

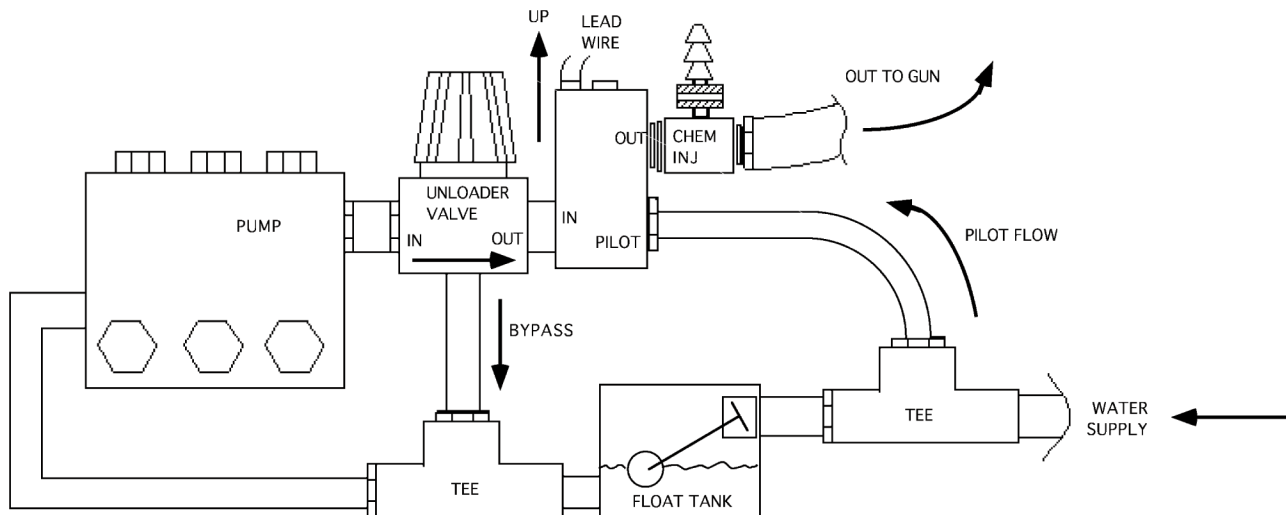


## PARTS LIST



ITEM	PART #	DESCRIPTION	Quantity	
			100329	103011
1	510018	Plug	1	1
2	701112	O-ring, .487 x .103	2	3
3	720003	Spring, Piston	1	1
4	103018	SS Piston Assembly	1	1
5	510014	Body, Valve	1	1
6	100331	Assembly, Pilot Valve	1	-
7	510015	Filling, Inlet	1	1
8	510013	Plug, Piston Stop	-	1
9	103022	Reed Switch Assembly	1	1
10	202010	Set Screw	1	1

## INSTALLATION



Install the flow switch **vertically** to the output side of the unloader, with the 2 conductor lead wires exiting from the top. If your system uses a downstream chemical injector, it should be mounted on the output side of the flow switch.

Model 100329, with pilot feature, requires a direct connection to the water supply feed line to provide a pilot signal. This is accomplished by installing a tee fitting (with a 1/4" hose barb fitting) directly in the water supply feed line. The tee must be installed before the float valve. Install an appropriate length of 1/4" I.D. reinforced polyvinyl tubing between the tee fitting and the valve pilot port.



WARNING: This product can expose you to chemicals including lead, which is known to the state of California to cause cancer and birth defects or other reproductive harm. For more information, go to [www.P65Warnings.ca.gov](http://www.P65Warnings.ca.gov)